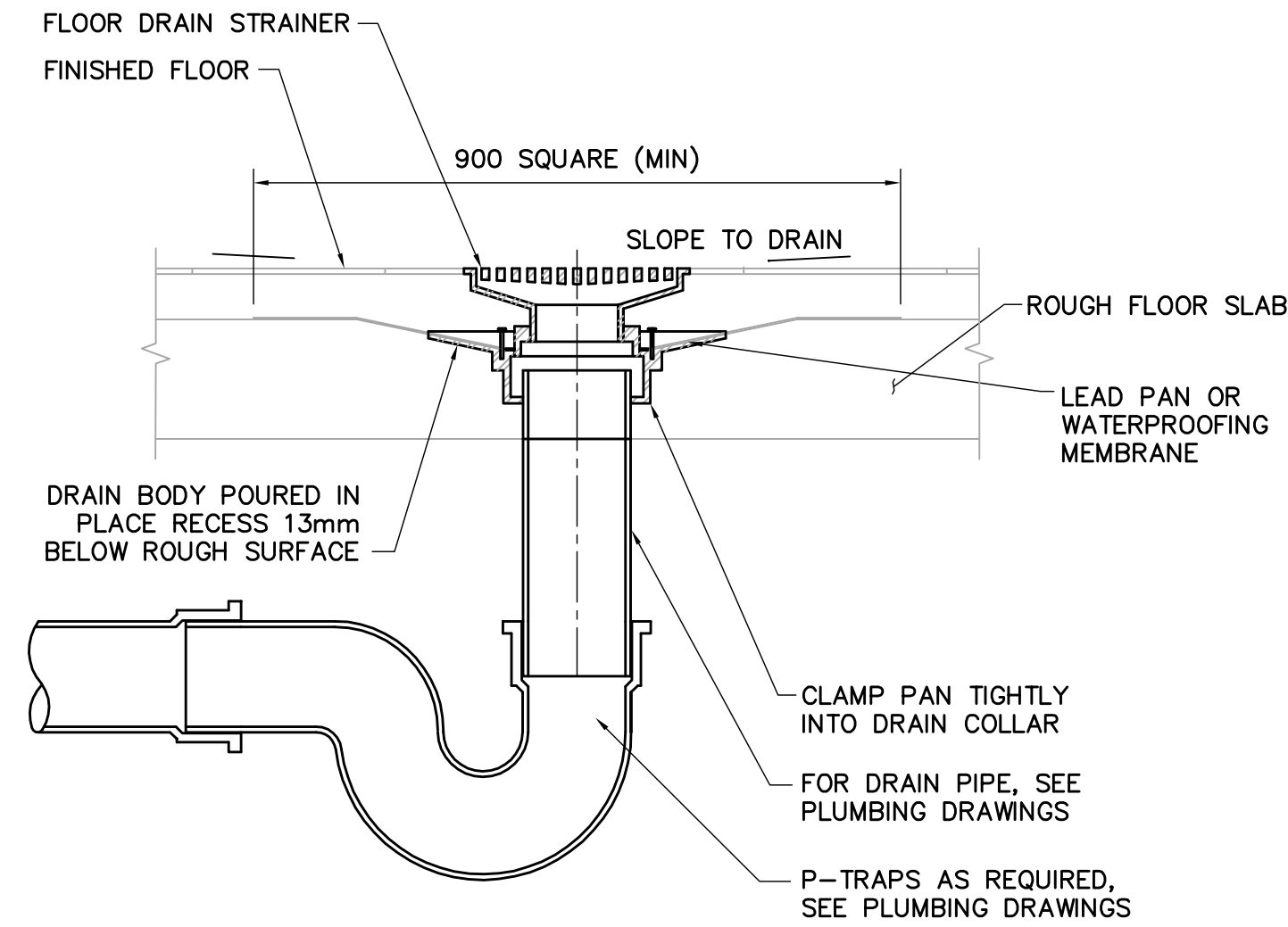
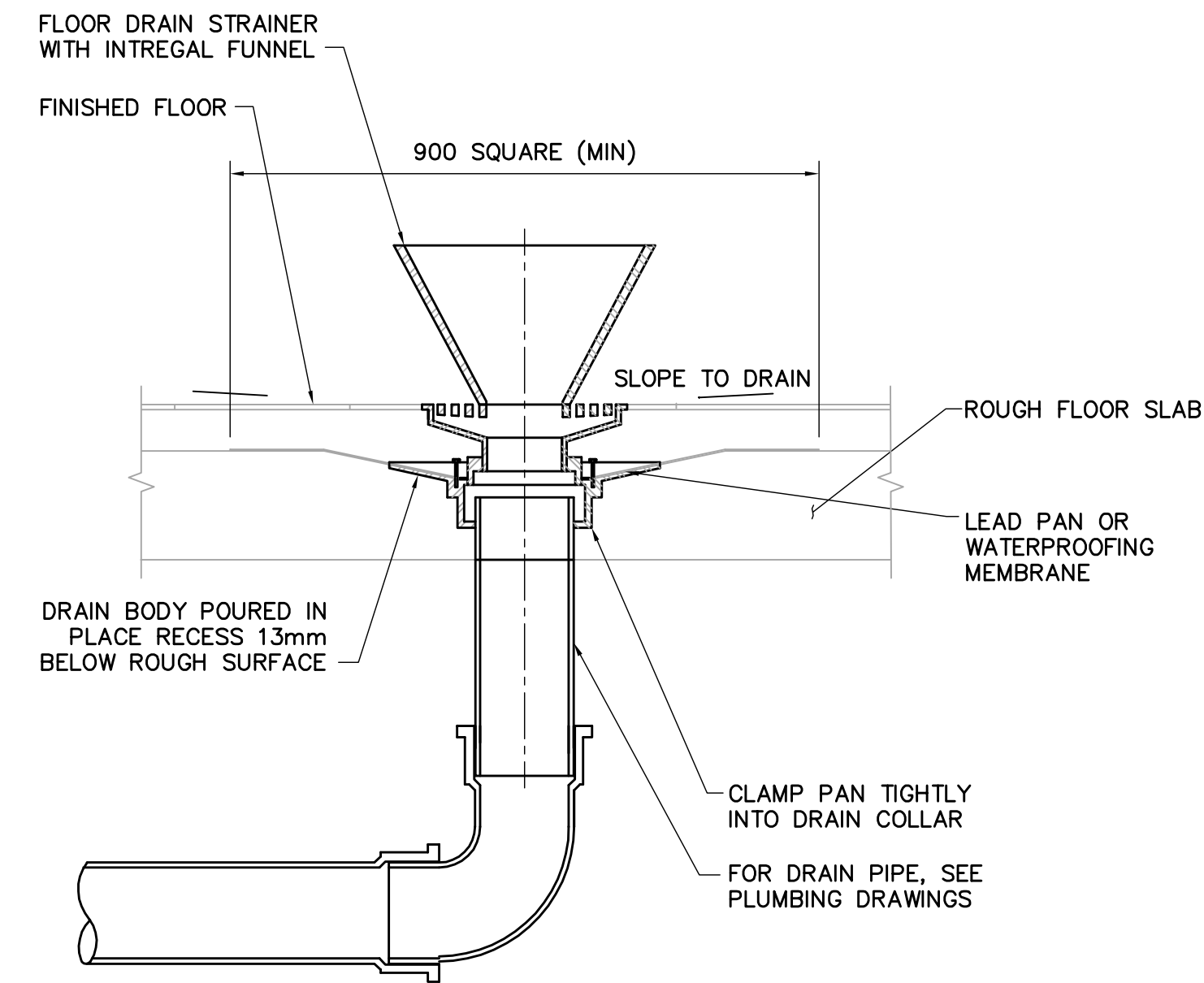


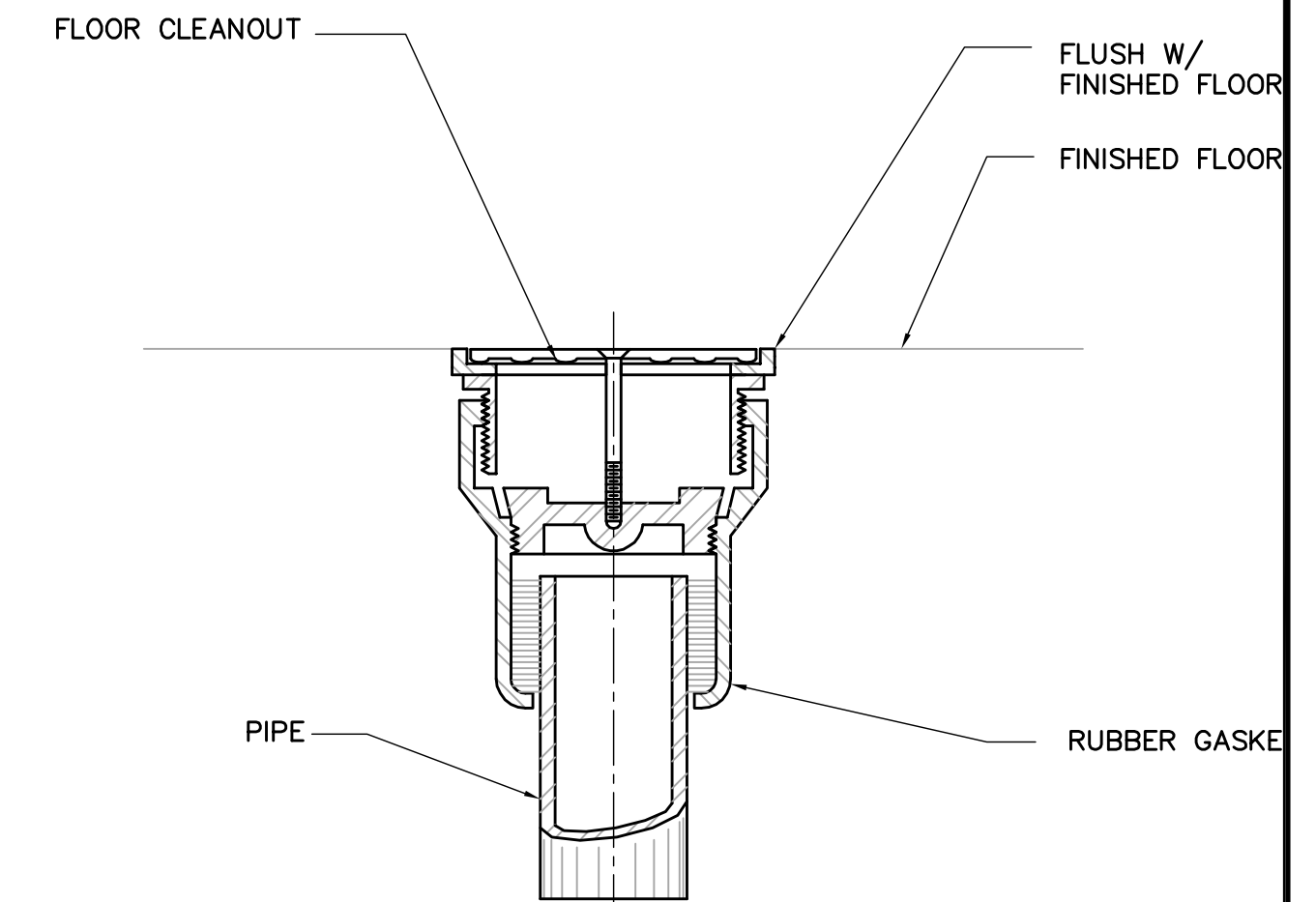
1 FLOOR DRAIN (FD-1)
- N.T.S.



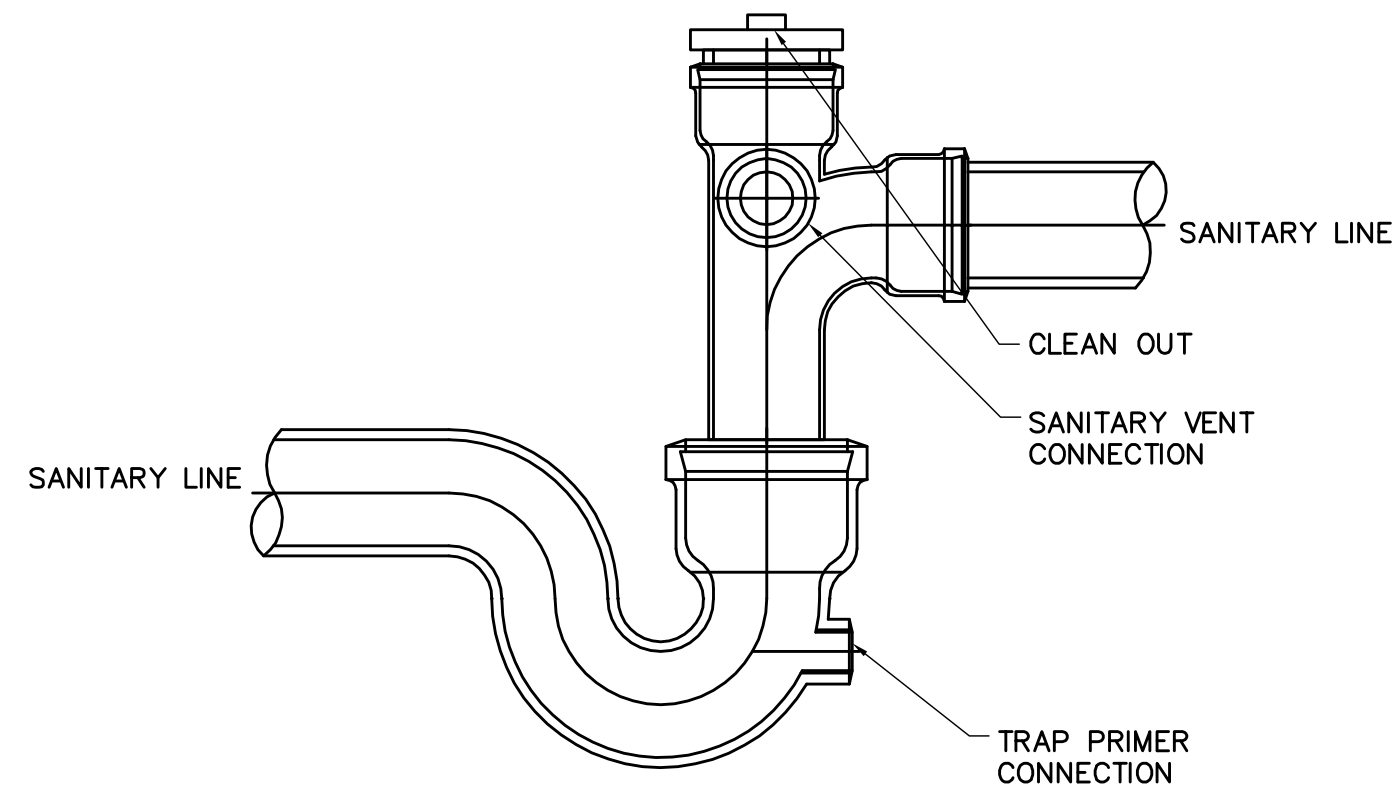
2 FLOOR DRAIN (FD-2)
- N.T.S.



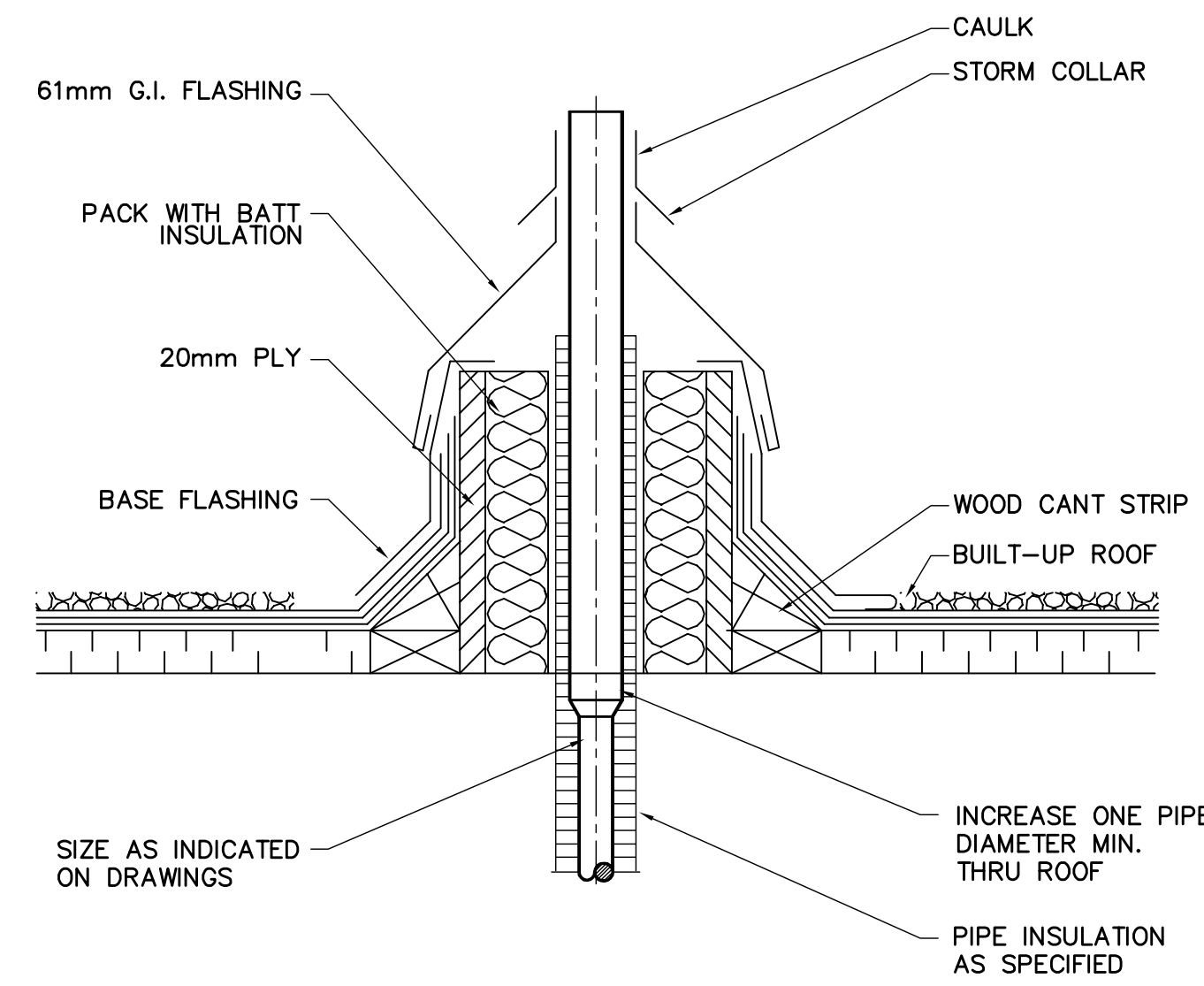
3 FLOOR DRAIN W/ FUNNEL (FFD-1)
- N.T.S.



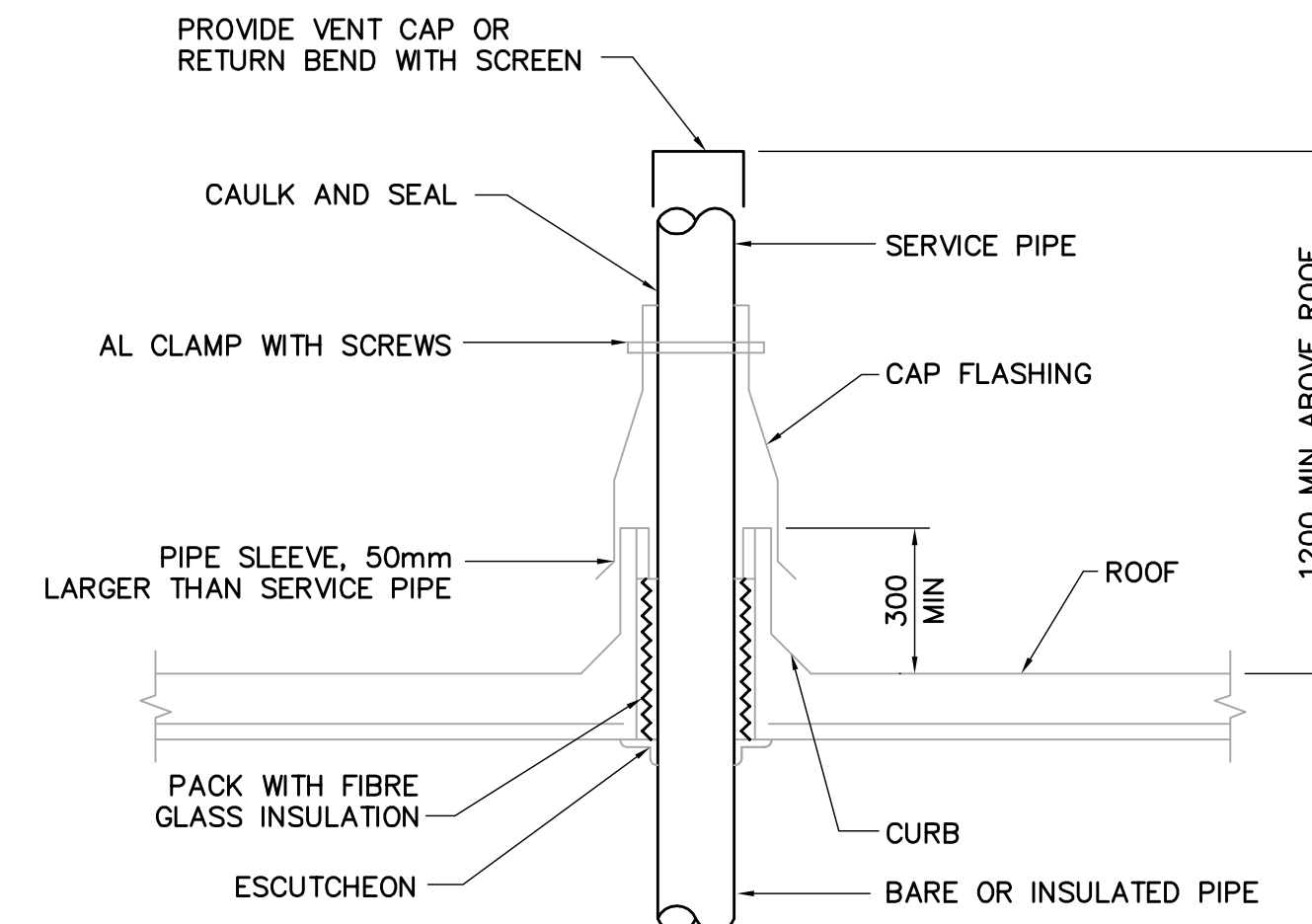
4 FLOOR CLEANOUT (CO)
- N.T.S.



5 SANITARY TRAP C/W TRAP PRIMER CONNECTION DETAIL
- N.T.S.

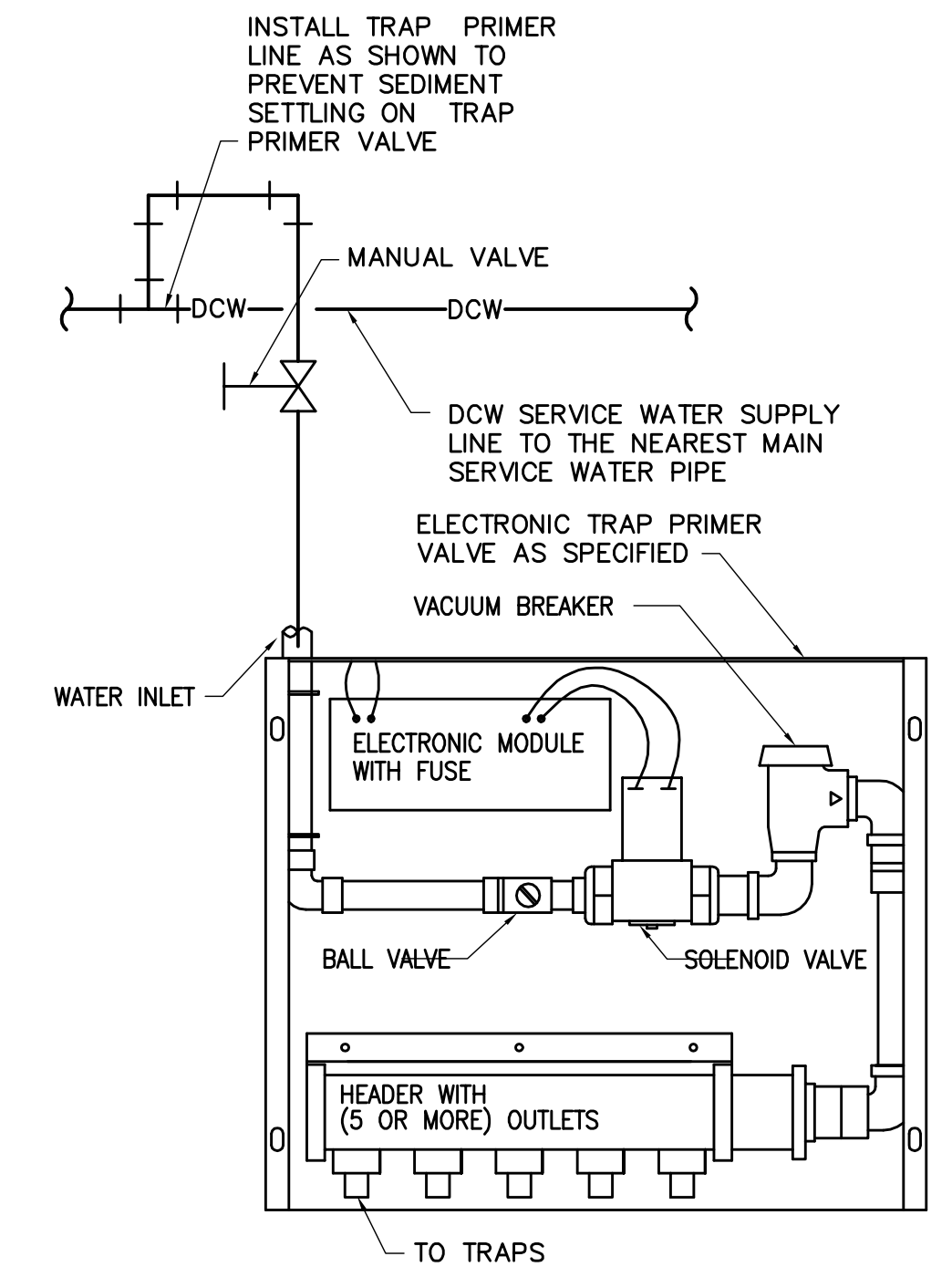


6 PLUMBING VENT THROUGH ROOF-FLASHING DETAIL
- N.T.S.



NOTE:
SEE ARCHITECTURAL DRAWINGS FOR ROOF DESIGN AND BASE FLASHING.

7 NATURAL GAS VENT THROUGH ROOF-FLASHING DETAIL
- N.T.S.



8 FLOOR DRAIN TRAP PRIMER DETAIL
- N.T.S.

<p>Certificate of Authorization Earth Tech Canada Inc. No. 730 Expiry: April 30, 2007</p>	B.M. ELEV.	<p>Frederickson Cooper ARCHITECTS</p>	<p>A Tyco International Ltd. Company</p>	ENGINEER'S SEAL	<p>THE CITY OF WINNIPEG WATER AND WASTE DEPARTMENT ENGINEERING DIVISION</p>		
				DESIGNED BY: BW		CHECKED BY: PVL/AMA	ORIGINAL SIGNED BY: A. M. AFTANAS
				DRAWN BY: LAE		APPROVED BY: AHL	2007/01/31
				SCALE: NTS		RELEASED FOR CONSTRUCTION BY: R. SOROKOWSKI	CONSULTANT DRAWING NO. WS-H0410
	00 ISSUED FOR TENDER 07/01/31 DL	DATE 2007/01/29	DATE 2007/01/31		<p>WATER TREATMENT PLANT BULK CHEMICAL STORAGE SODIUM HYPOCHLORITE AND CHEMICAL STORAGE BUILDING</p> <p>MECHANICAL STANDARD DETAILS</p>		
	NO. REVISIONS	DATE	DATE		<p>CITY FILE NUMBER</p> <p>SHEET OF</p> <p>CITY DRAWING NUMBER 1-0601S-D-H0410-001-000</p>		