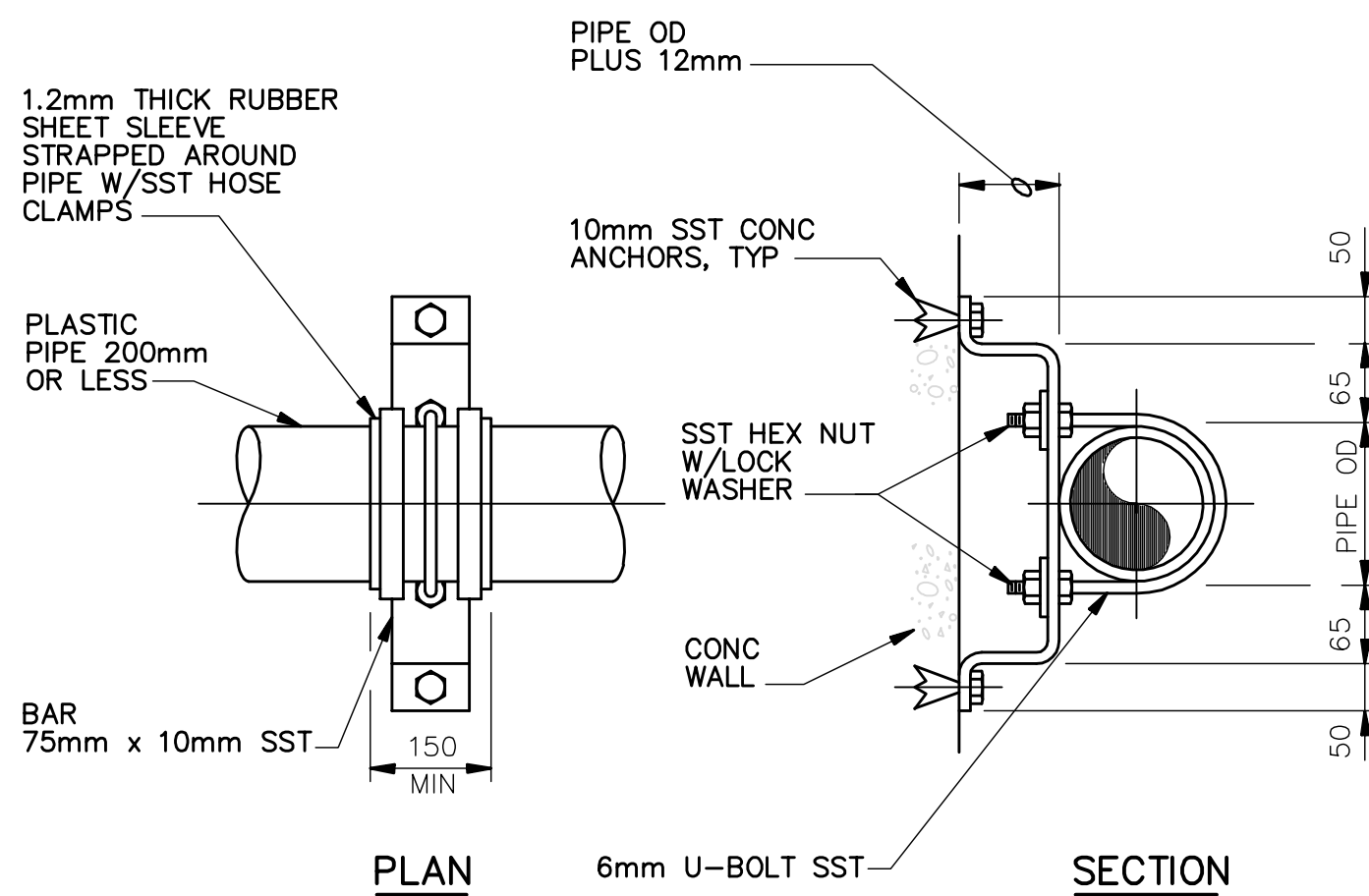


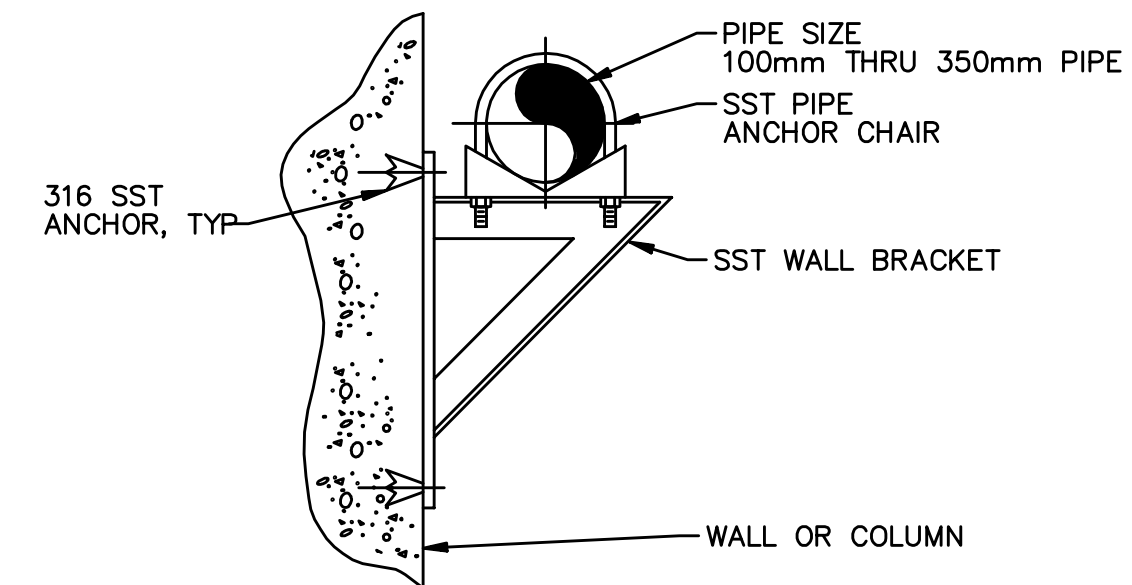
NOTES:
1 ALL DIMENSIONS IN MILLIMETERS, UNLESS OTHERWISE NOTED.

1 PIPE SUPPORT - WALL MOUNTED



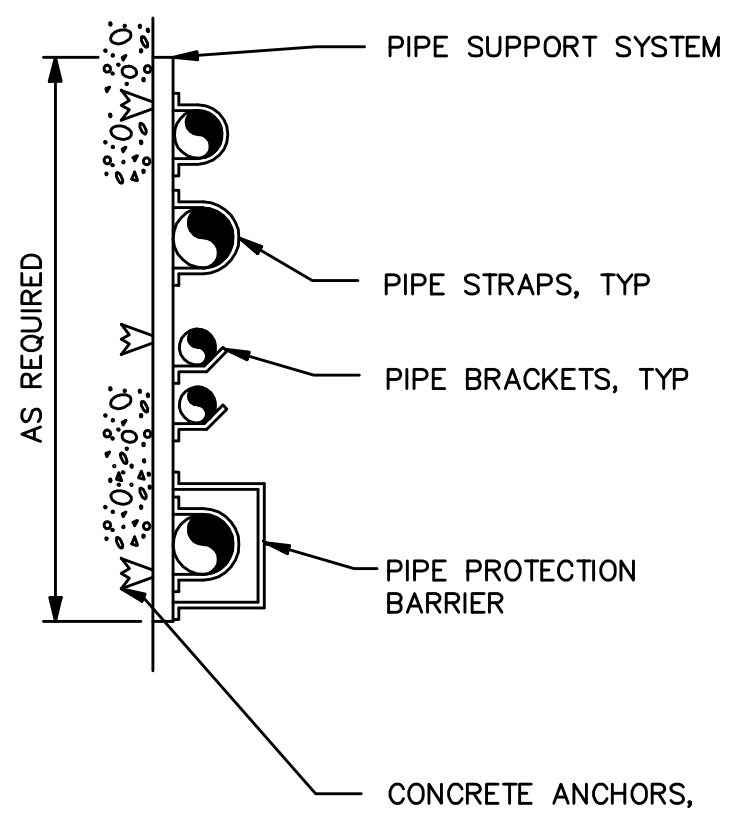
NOTES:
1 ALL DIMENSIONS IN MILLIMETERS, UNLESS OTHERWISE NOTED.

2 PIPE SUPPORT - WALL MOUNTED



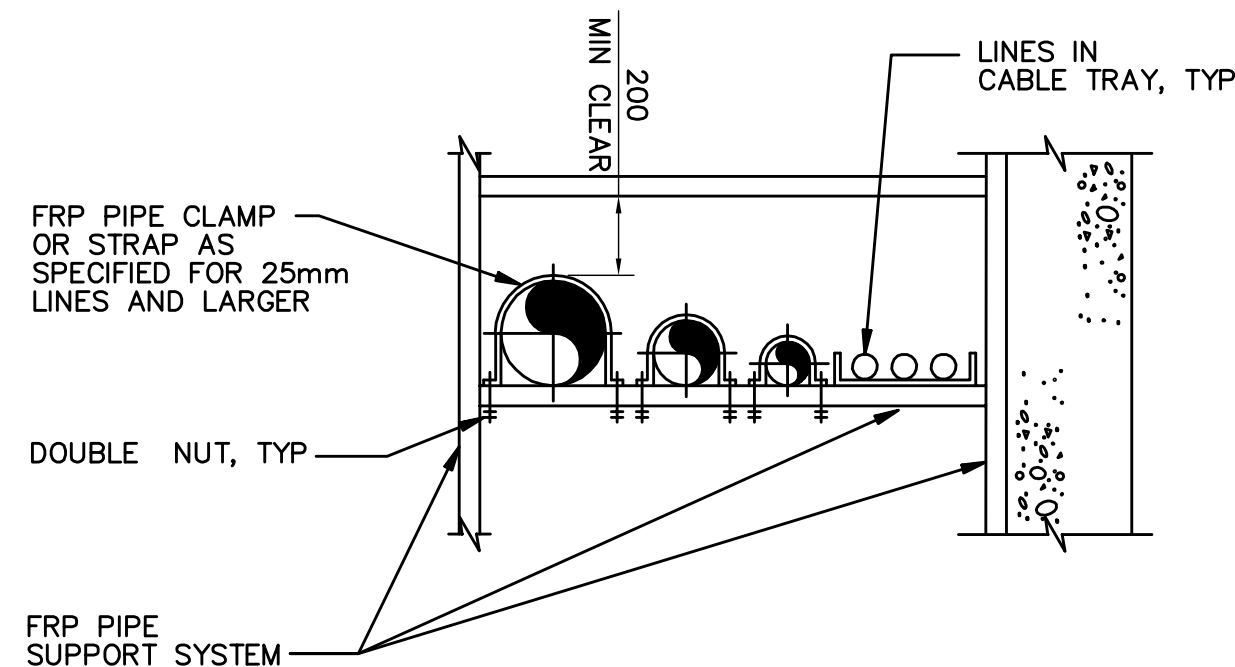
NOTES:
1. ALL DIMENSIONS IN MILLIMETERS, UNLESS OTHERWISE NOTED.
2. WALL BRACKET SHALL BE MEDIUM OR HEAVY DUTY DEPENDING ON PIPE LOAD REQUIREMENTS.
3. NOT FOR USE WITH PVC PIPE.

3 PIPE SUPPORT - WALL MOUNTED MEDIUM



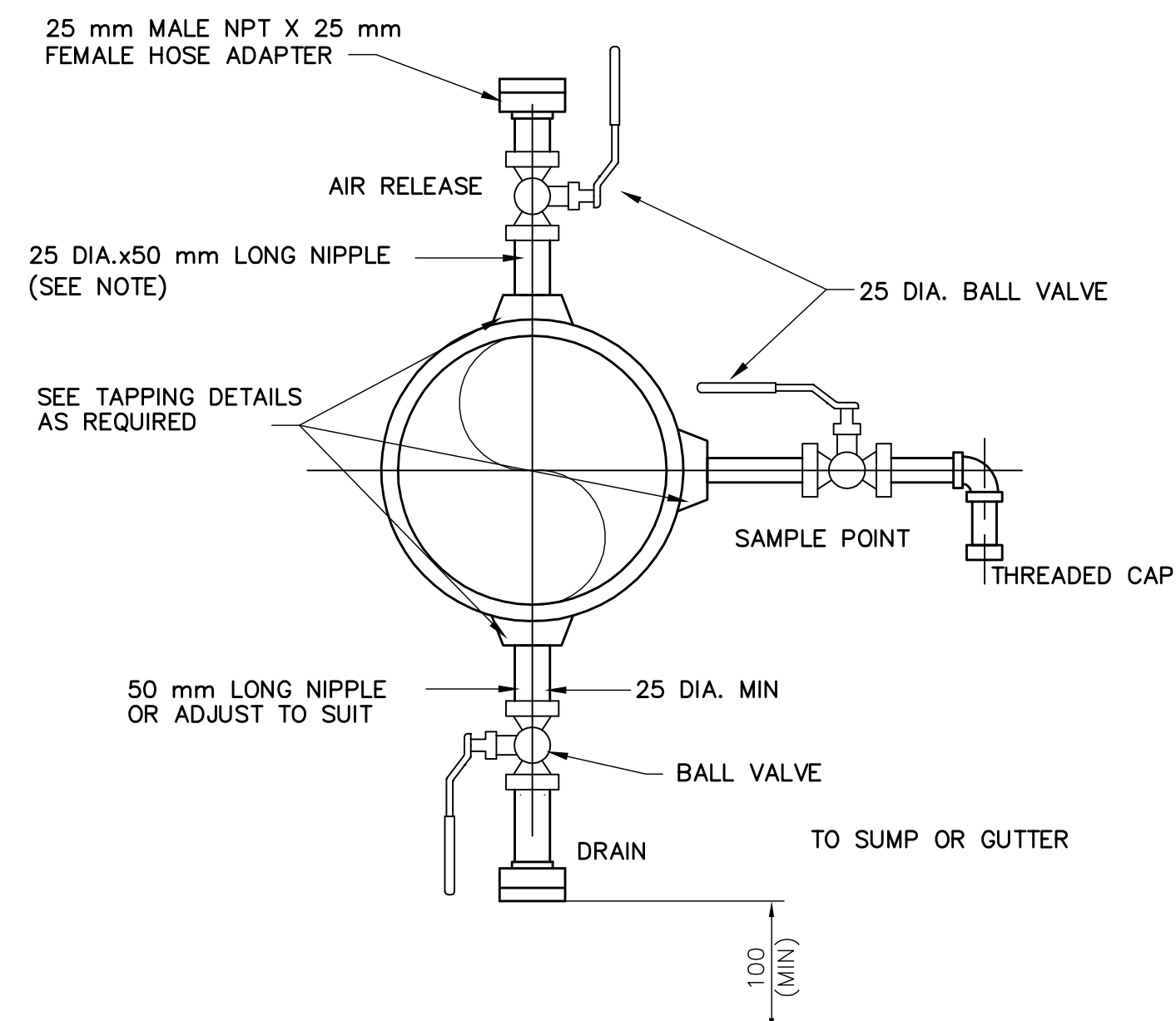
NOTES:
1. ALL DIMENSIONS IN MILLIMETERS, UNLESS OTHERWISE NOTED.
2. PROVIDE PIPE PROTECTION BARRIER AS SPECIFIED.

4 STACKED PIPE WALL SYSTEM



NOTES:
1. ALL DIMENSIONS IN MILLIMETERS, UNLESS OTHERWISE NOTED.
2. PROVIDE PIPE PROTECTION BARRIER AS SPECIFIED.

5 GALLERY CHEMICAL LINES SUPPORT



NOTE:
1. WHEN SERVICE PIPE IS MORE THAN 1800 mm ABOVE FLOOR, DRAIN (AIR RELEASE) SHALL BE PIPED DOWN NEAREST WALL WITH A VALVE 1200 mm ABOVE FINISHED FLOOR.

6 25mm AIR RELEASE, SAMPLE AND DRAIN CONNECTION DETAILS

<p>Certificate of Authorization Earth Tech Canada Inc. No. 730 Expiry: April 30, 2007</p>	B.M. ELEV.	<p>Frederickson Cooper ARCHITECTS</p>	<p>A Tyco International Ltd. Company</p>	ENGINEER'S SEAL	<p>THE CITY OF WINNIPEG WATER AND WASTE DEPARTMENT ENGINEERING DIVISION</p>		
				DESIGNED BY BW		CHECKED BY BW	ORIGINAL SIGNED BY S.B. WILLIAMSON
				DRAWN BY LAE		APPROVED BY AHL	2007/01/31
				SCALE: NONE		RELEASED FOR CONSTRUCTION BY: R. SOROKOWSKI	CONSULTANT DRAWING NO. WS-M0403
	00 ISSUED FOR TENDER 07/01/31 JBC	DATE 2005/10/25	DATE 2007/01/31		WATER TREATMENT PLANT	CITY FILE NUMBER	
	NO. REVISIONS	DATE	DATE		SODIUM HYPOCHLORITE AND CHEMICAL STORAGE BUILDINGS	SHEET OF	
					PROCESS MECHANICAL	CITY DRAWING NUMBER	
					STANDARD DETAILS	1-0601S-D-M0403-001-000	