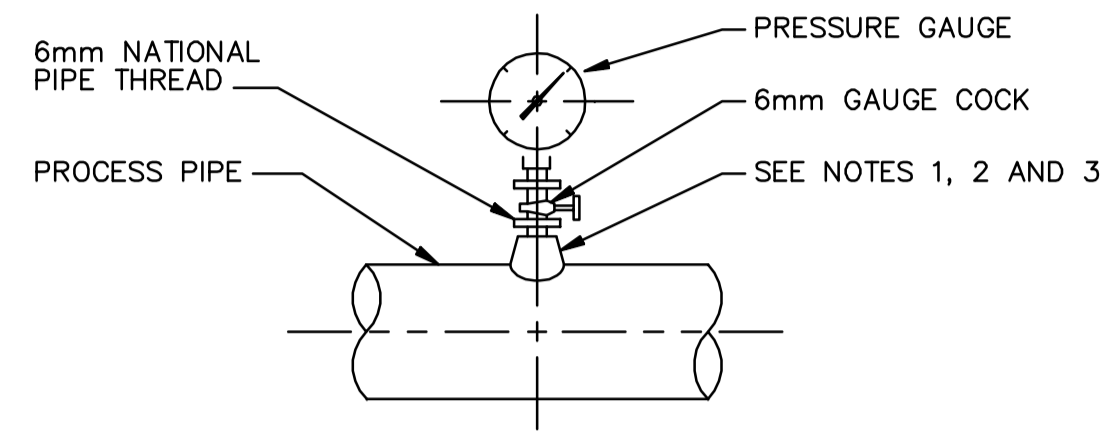


DIAPHRAGM PRESSURE GAUGE

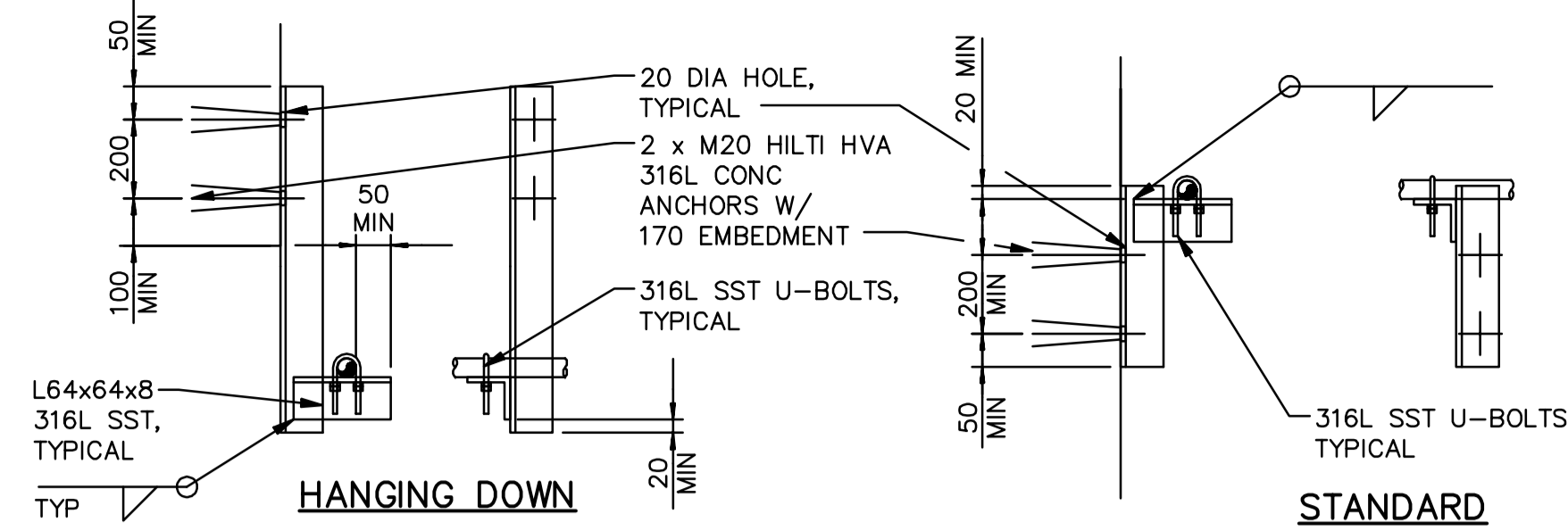


PRESSURE GAUGE

NOTES:

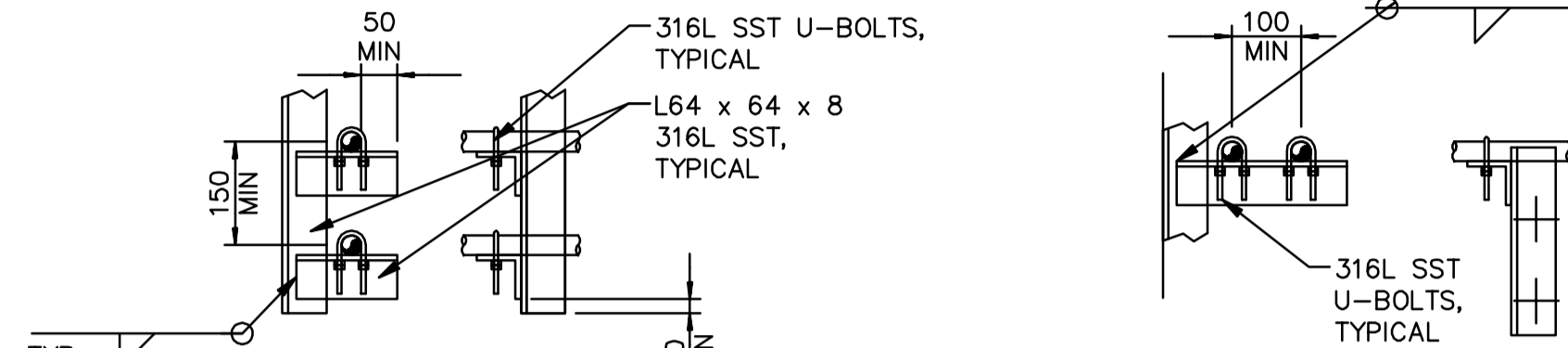
1. ALL DIMENSIONS IN MILLIMETERS, UNLESS OTHERWISE NOTED.
2. FOR STEEL, GALVANISED STEEL, AND PVC 65mm AND SMALLER USE A BUSHING IN A TEE.
3. FOR DUCTILE IRON AND FIBERGLASS REINFORCED PLASTIC PIPE, ALL SIZES, USE PIPE SADDLE WITH BUSHING.
4. FOR STEEL AND STAINLESS STEEL PIPES 80mm AND LARGER, AND PRESSURE VESSELS, USE THRED-O-LET AS SHOWN.
5. PROVIDE SNUBBER FOR POSITIVE DISPLACEMENT PUMP INSTALLATIONS.

1 PRESSURE GAUGE MOUNTING
NTS



HANGING DOWN

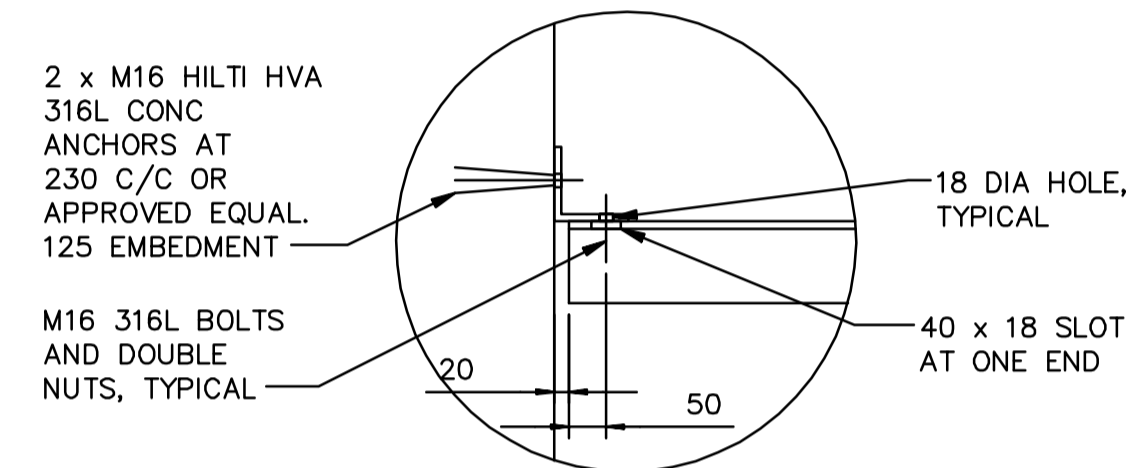
STANDARD



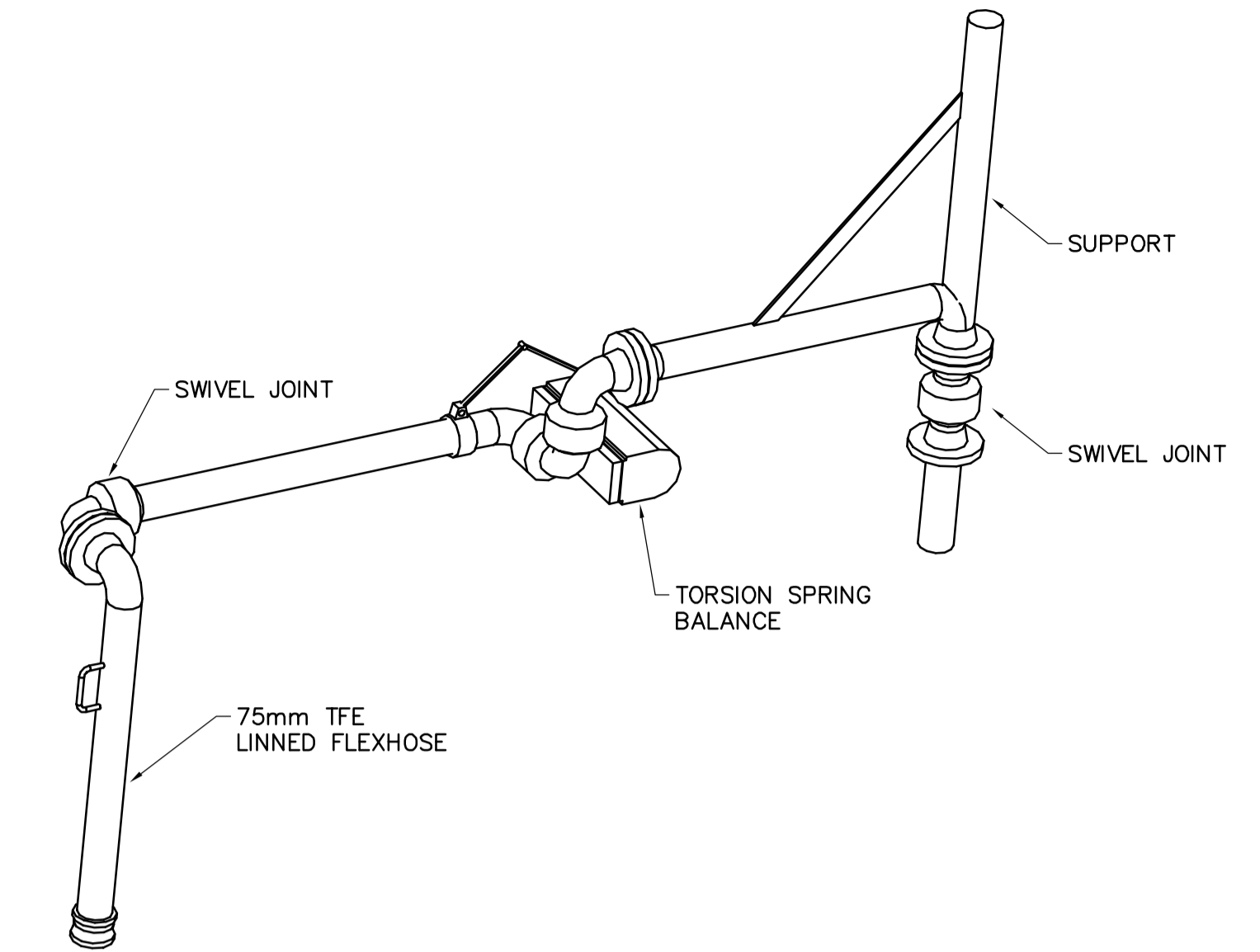
STACKED PIPING

ADJACENT PIPING

2 SAMPLE PIPING DETAIL



3 SAMPLE PIPING DETAIL



FERRIC CHLORIDE

MATERIALS: PTFE LINED CARBON STEEL
SWIVEL JOINTS SEALS: VITON

SULPHURIC ACID

MATERIALS: 316L STAINLESS STEEL
SWIVEL JOINTS SEALS: VITON

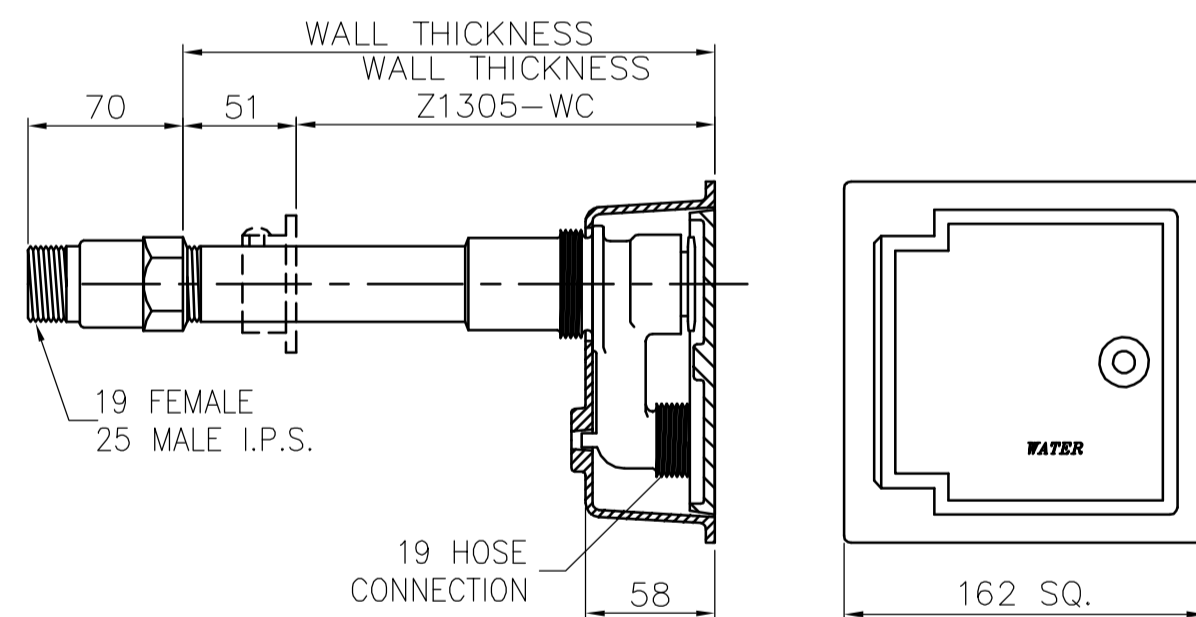
SODIUM HYDROXIDE

MATERIALS: PTFE LINED CARBON STEEL
SWIVEL JOINTS SEALS: NEOPRENE

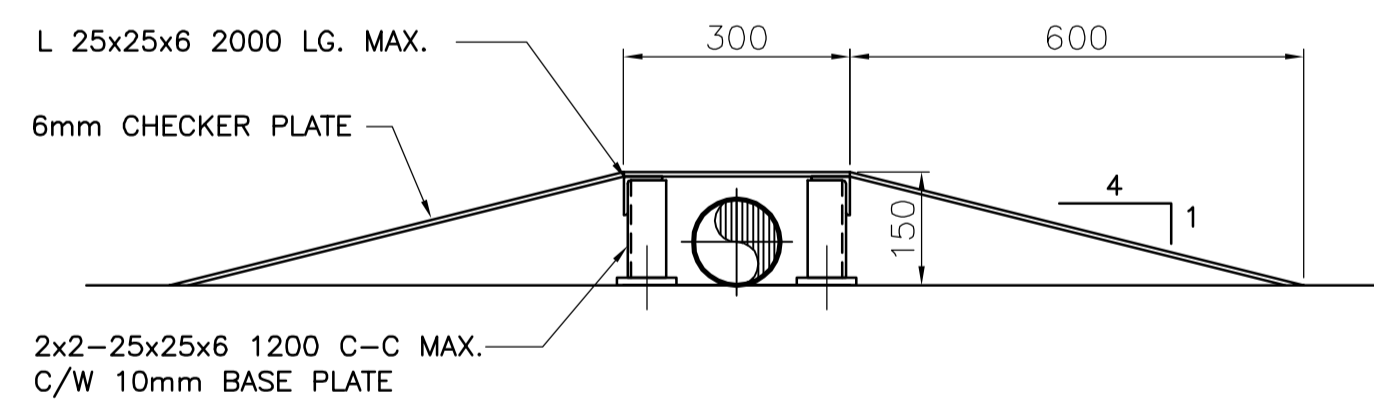
NOTES:

1. EACH OFFLOADING ARM SHALL BE EQUIPPED WITH A 25mm AIR HOSE FOR AIR PADDING.

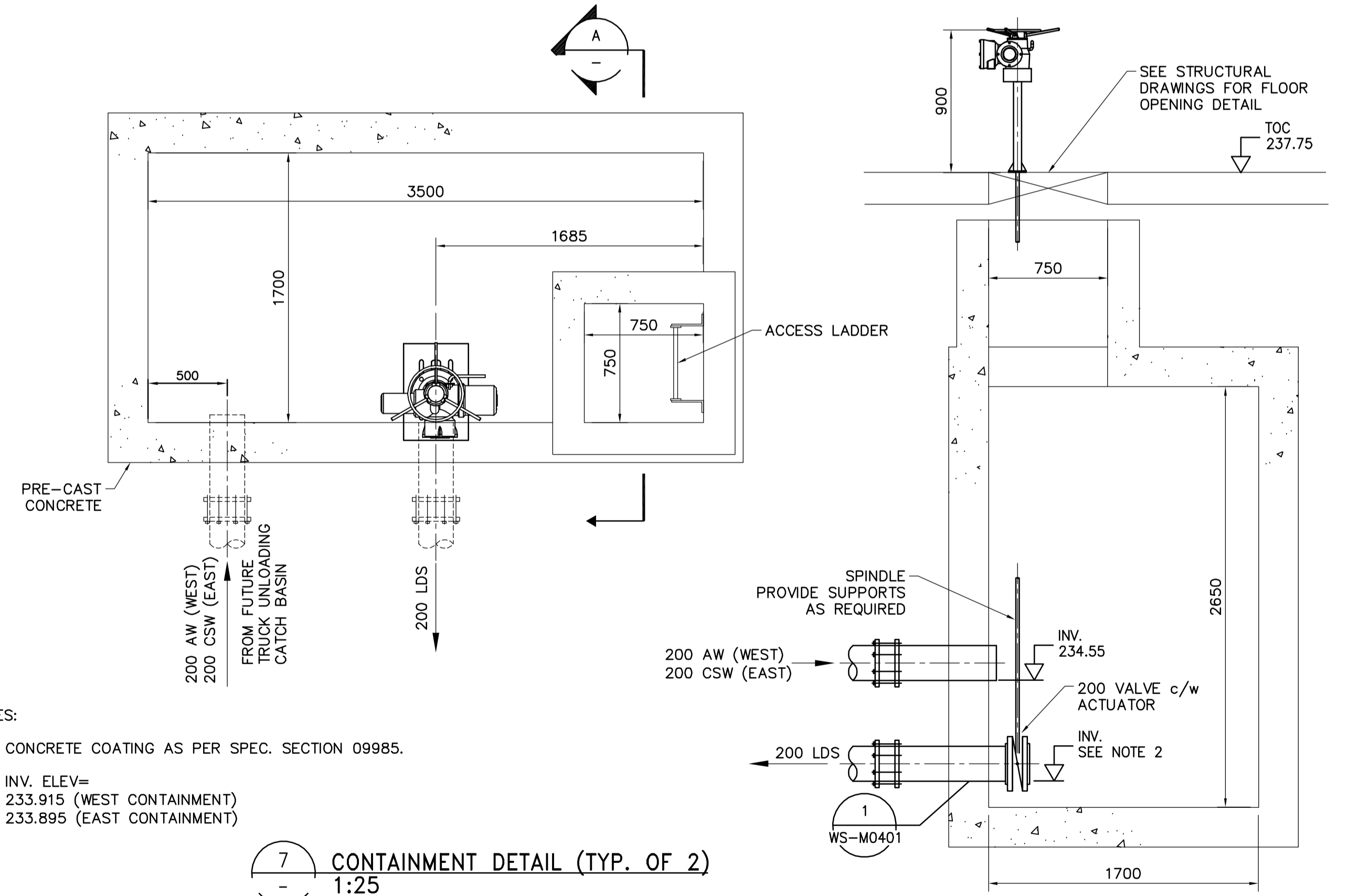
4 SUPPORTED BOOM ARM
NTS



5 LOCKABLE HOSE BIB AND COVER
NTS



6 PIPE WALK OVER (TYP)
NTS



NOTES:

1. CONCRETE COATING AS PER SPEC. SECTION 09985.
2. INV. ELEV= 233.915 (WEST CONTAINMENT) 233.895 (EAST CONTAINMENT)

7 CONTAINMENT DETAIL (TYP. OF 2)
1:25



NO.	ISSUED FOR TENDER	DATE	BY
00	ISSUED FOR TENDER	07/01/31	JBC
NO.	REVISIONS	DATE	BY

DESIGNED BY	CHECKED BY
SBW	SRB
DRAWN BY	APPROVED BY
LAE	AHL
SCALE:	RELEASED FOR CONSTRUCTION BY:
NONE	R. SOROKOWSKI
DATE	DATE
2005/10/25	2007/01/31

ENGINEER'S SEAL
ORIGINAL SIGNED BY
S.B. WILLIAMSON
2007/01/31
CONSULTANT DRAWING NO.
WS-M0404

THE CITY OF WINNIPEG WATER AND WASTE DEPARTMENT ENGINEERING DIVISION	
WATER TREATMENT PLANT	CITY FILE NUMBER
SODIUM HYPOCHLORITE AND CHEMICAL STORAGE BUILDINGS	SHEET OF
PROCESS MECHANICAL	CITY DRAWING NUMBER
STANDARD DETAILS	1-0601S-D-M0404-001-00D