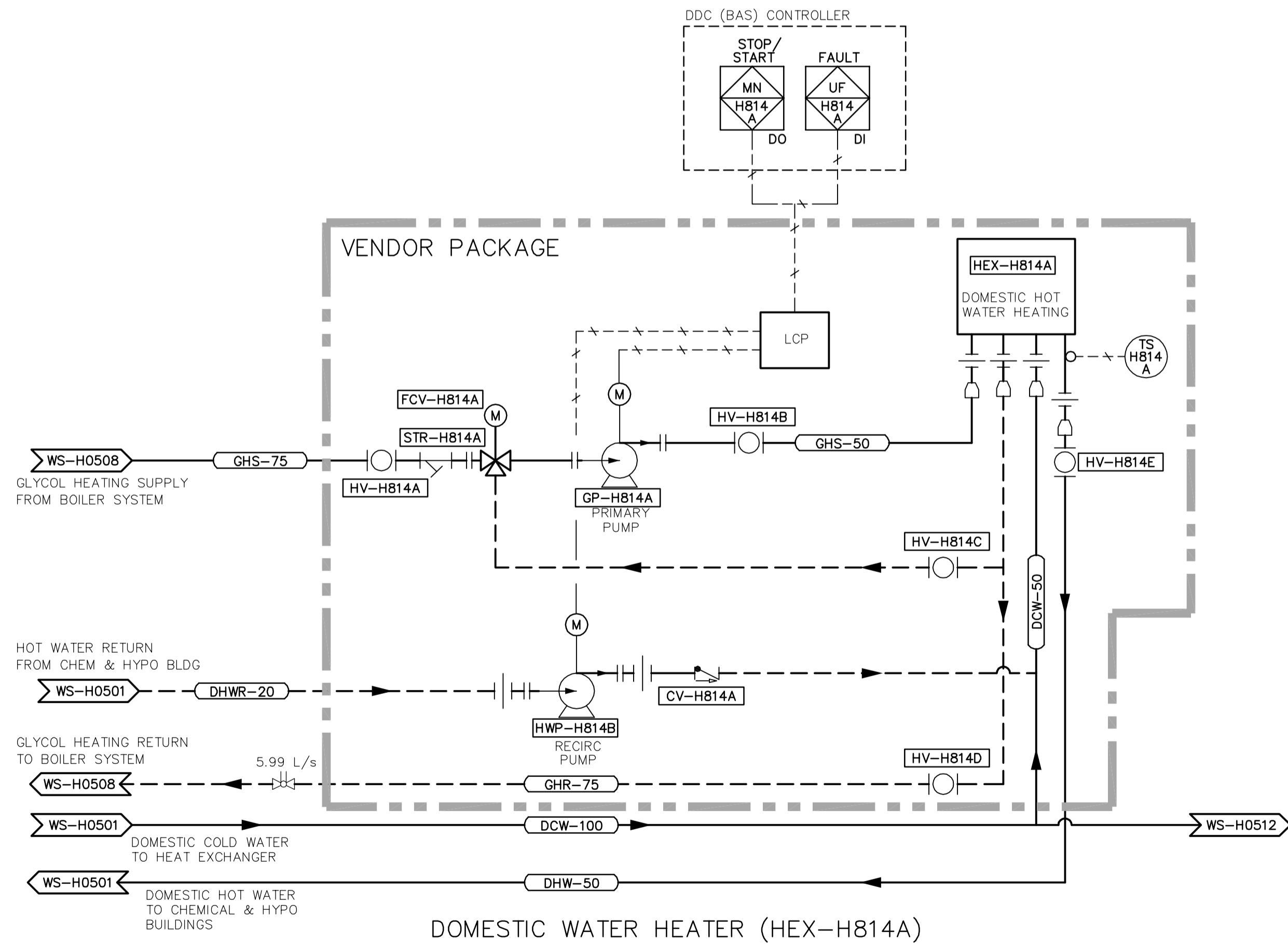
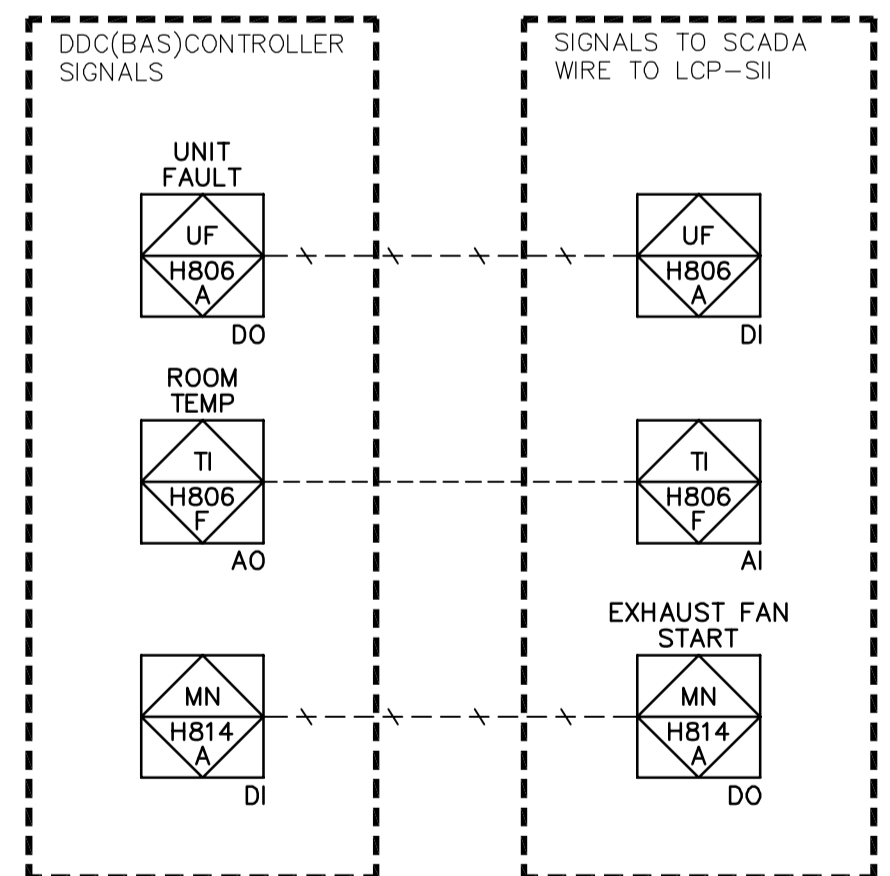


1 PROCESS WATER HEATING SCHEMATIC  
N.T.S.



2 DOMESTIC WATER HEATING SCHEMATIC  
N.T.S.

○ NORMALLY OPEN  
● NORMALLY CLOSED



**APEGN**  
Certificate of Authorization  
Earth Tech Canada Inc.  
No. 730 Expiry: April 30, 2007

|                   |             |
|-------------------|-------------|
| B.M. ELEV.        |             |
| DESIGNED BY       | AMA         |
| DRAWN BY          | DJP         |
| SCALE:            | N.T.S.      |
| ISSUED FOR TENDER | 07/01/31 DL |
| NO. REVISIONS     | DATE BY     |
| DATE              | 2006/09/11  |

**CH2M HILL**  
Frederickson Cooper  
ARCHITECTS

**EarthTech**  
A Tech International Ltd. Company

DESIGNED BY: AMA  
CHECKED BY: PVL/AMA  
DRAWN BY: DJP  
APPROVED BY: AHL  
SCALE: N.T.S.  
RELEASED FOR CONSTRUCTION BY: R. SOROKOWSKI  
DATE: 2007/01/31

ENGINEER'S SEAL  
ORIGINAL SIGNED BY  
A. M. AFTANAS  
2007/01/31  
CONSULTANT DRAWING NO.  
WS-H0512

**THE CITY OF WINNIPEG**  
WATER AND WASTE DEPARTMENT  
ENGINEERING DIVISION

WATER TREATMENT PLANT  
BULK CHEMICAL BUILDING  
SODIUM HYPOCHLORITE AND CHEMICAL STORAGE BUILDING

CITY FILE NUMBER  
SHEET OF  
CITY DRAWING NUMBER  
1-06018-G-H0512-001-00D

MECHANICAL  
PROCESS HOT WATER HEATING SCHEMATIC  
DOMESTIC HOT WATER HEATING SCHEMATIC