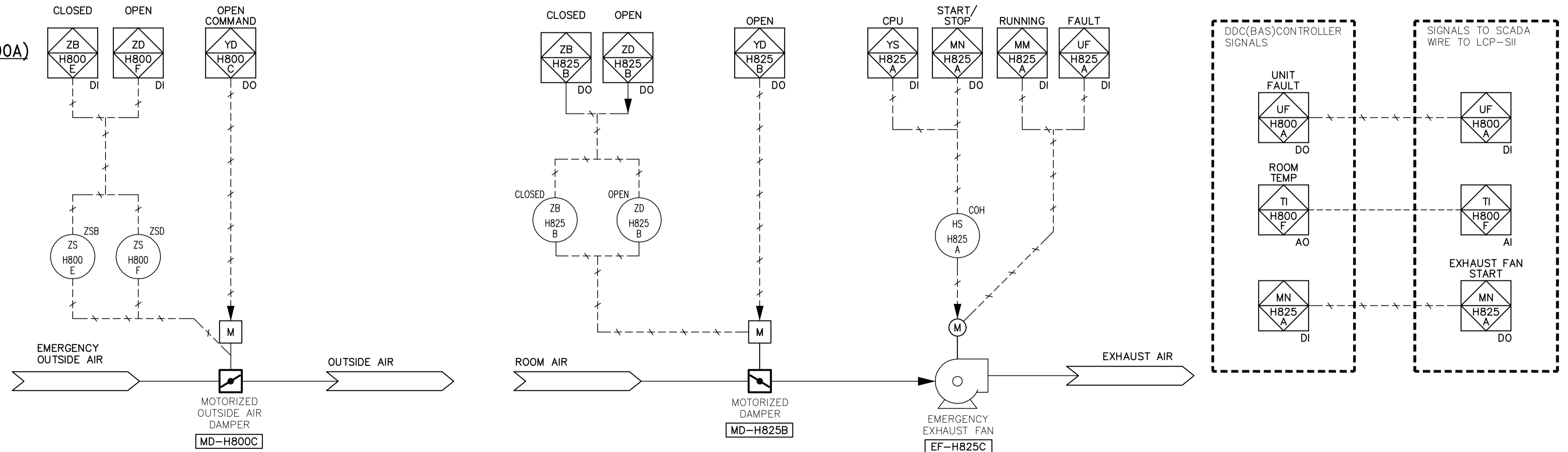


1 FERRIC CHLORIDE ROOM HEATING AND VENTILATION SCHEMATIC (MAU-H800A)
N.T.S.

UY RELAY IN FIRE PANEL
HARDWIRED INTERLOCK
TO SHUTDOWN ALL HVAC SYSTEMS IN EVENT OF FIRE ALARM



APECA
Certificate of Authorization
Earth Tech Canada Inc.
No. 730 Expiry: April 30, 2007

B.M. ELEV.			
DESIGNED BY	PVL/LJW	CHECKED BY	PVL/AMA
DRAWN BY	LJW	APPROVED BY	AHL
SCALE:	N.T.S.	RELEASED FOR CONSTRUCTION BY:	R. SOROKOWSKI
DATE	2006/09/11	DATE	2007/01/31
00 ISSUED FOR TENDER	07/01/31	DL	
NO. REVISIONS	DATE	BY	

CH2M HILL
Frederickson Cooper ARCHITECTS

EarthTech
A Tyco International Ltd. Company

ENGINEER'S SEAL
ORIGINAL SIGNED BY
A. M. AFTANAS
2007/01/31
CONSULTANT DRAWING NO.
WS-H0513

THE CITY OF WINNIPEG
WATER AND WASTE DEPARTMENT
ENGINEERING DIVISION

WATER TREATMENT PLANT
BULK CHEMICAL BUILDING
SODIUM HYPOCHLORITE AND CHEMICAL STORAGE BUILDING

MECHANICAL
FERRIC CHLORIDE ROOM
HEATING AND VENTILATION SYSTEM SCHEMATIC

CITY FILE NUMBER
SHEET OF
CITY DRAWING NUMBER
1-06018-G-H0513-001-00D