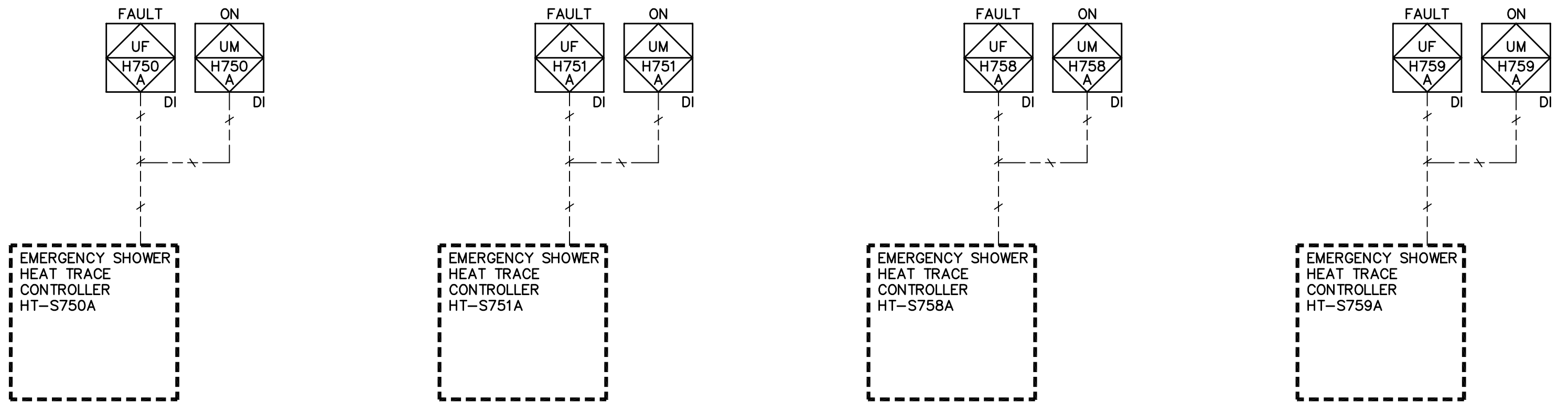
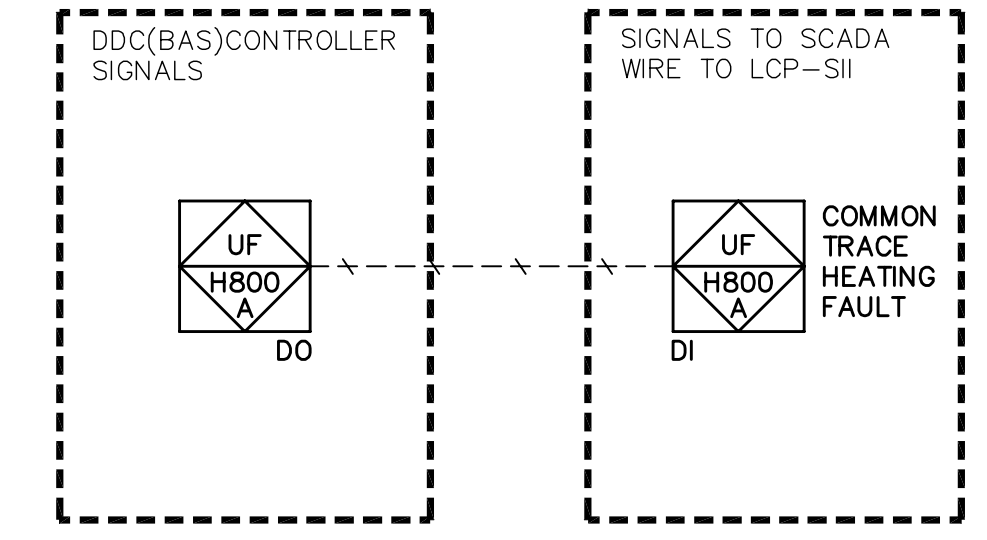


1 LOUVER HEAT TRACING
N.T.S.



2 EMERGENCY SHOWER HEAT TRACING
N.T.S.



GENERAL NOTES

- HEAT TRACING APPLIED TO PIPEWORK SHALL BE CIRCUMFERENTIALLY AROUND THE PIPEWORK FOR THE REQUIRED LENGTH, CREATING A 200mm HELICAL PITCH.
- HEAT TRACING APPLIED TO INTAKE LOUVERS SHALL BE LOOPED BEHIND EACH BLADE.

<p>Certificate of Authorization Earth Tech Canada Inc. No. 730 Expiry: April 30, 2007</p>	B.M. ELEV.	<p>Frederickson Cooper ARCHITECTS</p>	<p>A Tyco International Ltd. Company</p>	ENGINEER'S SEAL	<p>THE CITY OF WINNIPEG WATER AND WASTE DEPARTMENT ENGINEERING DIVISION</p>		
				DESIGNED BY: GD		CHECKED BY: PVL/AMA	ORIGINAL SIGNED BY: A. M. AFTANAS
				DRAWN BY: DL		APPROVED BY: AHL	2007/01/31
				SCALE: N.T.S.		RELEASED FOR CONSTRUCTION BY: R. SOROKOWSKI	CONSULTANT DRAWING NO. WS-H0520
	00 ISSUED FOR TENDER 07/01/31 DL	DATE 2007/01/26	DATE 2007/01/31		<p>WATER TREATMENT PLANT BULK CHEMICAL BUILDING SODIUM HYPOCHLORITE AND CHEMICAL STORAGE BUILDING</p> <p>MECHANICAL HEAT TRACING SCHEMATICS</p>		
	NO. REVISIONS	DATE	BY		<p>CITY FILE NUMBER</p> <p>SHEET OF</p> <p>CITY DRAWING NUMBER 1-06016-G-H0520-001-000</p>		