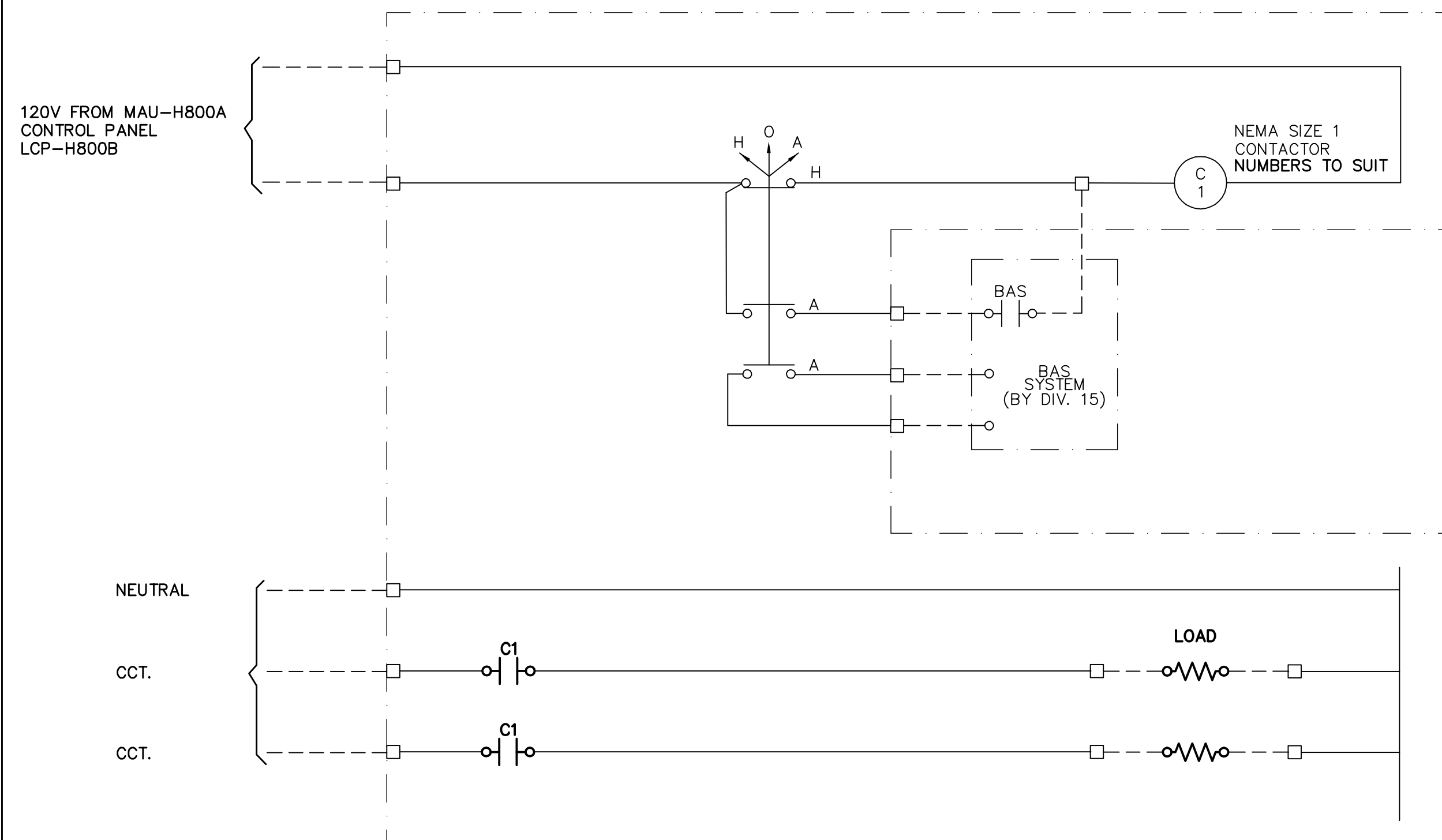
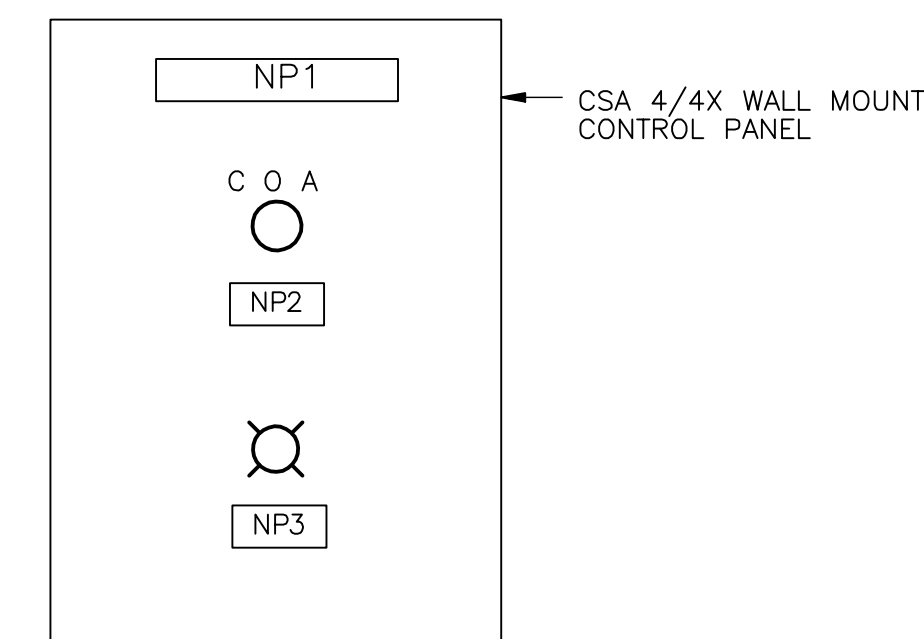


STEAM BOILER FEED PUMP P-S706A

TYPICAL FOR P-S707A



NOTES:
1. LCP-H800A AND ALL FIELD WIRING BY DIVISION 16 EXCEPT WIRING TO BAS SYSTEM BY DIVISION 15.



NAMEPLATES

- NP1 - HEAT TRACE CONTROL PANEL LCP-H800A
- NP2 - C O A SELECTOR SWITCH
- NP3 - ON

MAU-H800A HEAT TRACE CONTROL PANEL LCP-H800B

TYPICAL FOR MAU-H801A, MAU-H802A, MAU-H803A AND MAU-H804A

<p>Certificate of Authorization Earth Tech Canada Inc. No. 730 Expiry: April 30, 2007</p>	B.M. ELEV.	<p>Frederickson Cooper ARCHITECTS</p>	<p>A Tyco International Ltd. Company</p>	ENGINEER'S SEAL	<p>THE CITY OF WINNIPEG WATER AND WASTE DEPARTMENT ENGINEERING DIVISION</p>			
				DESIGNED BY: BLM		CHECKED BY: PS	ORIGINAL SIGNED BY: P. STRYK	CITY FILE NUMBER
				DRAWN BY: ERC		APPROVED BY: AHL	2007/01/31	SHEET OF
				SCALE: NTS		RELEASED FOR CONSTRUCTION BY: R. SOROKOWSKI	CONSULTANT DRAWING NO. WS-E0513	CITY DRAWING NUMBER
	00 ISSUED FOR TENDER 07/01/31 ERC				WATER TREATMENT PLANT BULK CHEMICAL BUILDING SODIUM HYPOCHLORITE AND CHEMICAL STORAGE BUILDING			
	NO. REVISIONS DATE BY	DATE 2007/01/15	DATE 2007/01/31		ELECTRICAL SCHEMATICS			
					1-0601S-H-E0513-001-000			