

FIG. 1 FLANGE-MOUNTED LIQUID LEVEL TRANSMITTER

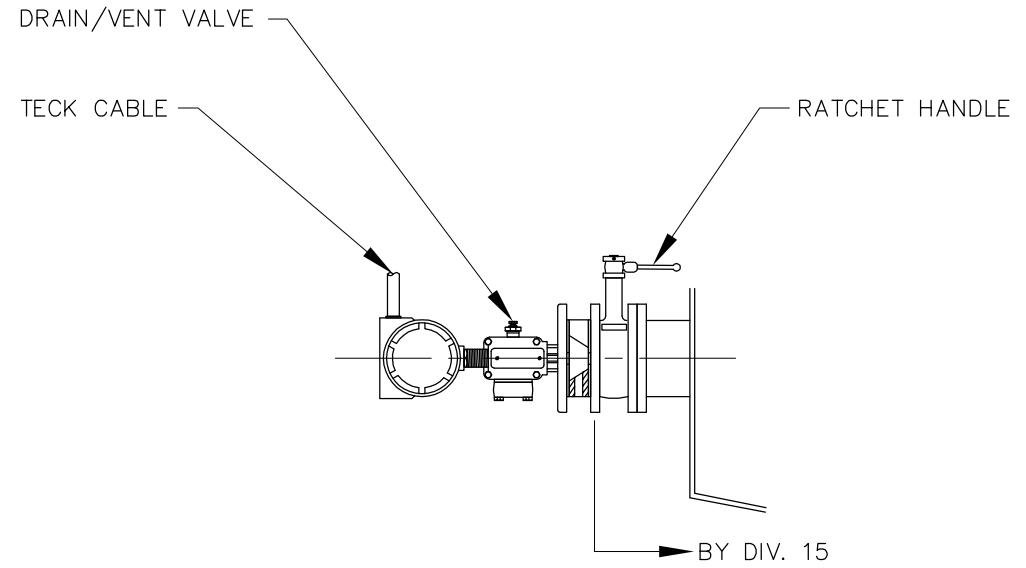






FIG. 2 FLANGE-MOUNTED LIQUID LEVEL TRANSMITTER (MANUAL FLUSH)

 Certificate of Authorization Earth Tech Canada Inc. No. 730 Expiry: April 30, 2007	B.M. ELEV.	 Fredericson Cooper [A S T I T U T E]	 A Type International Ltd. Company	ENGINEER'S SEAL	 THE CITY OF WINNIPEG WATER AND WASTE DEPARTMENT ENGINEERING DIVISION WATER TREATMENT PLANT MAIN BUILDING MECHANICAL AND ELECTRICAL AUTOMATION / I&C PRESSURE TRANSMITTER AND IN-LINE PRESSURE SENSOR INSTALLATION DETAILS	CITY FILE NUMBER	
				DESIGNED BY NT		CHECKED BY SWT	ORIGINAL SIGNED BY
		DRAWN BY GLG	APPROVED BY AHL	S.W. TORMEY		2006/03/29	
		SCALE: NTS	RELEASED FOR CONSTRUCTION BY: R. SOROKOWSKI	CONSULTANT DRAWING NO. WB-A0408		CITY DRAWING NUMBER 1-0601B-D-A0408-001-04B	
	NO. REVISIONS	DATE	BY	DATE 2006/01/03	DATE 2006/03/29		