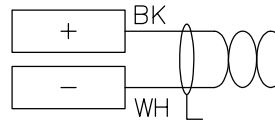


INSTRUMENT CONNECTIONS

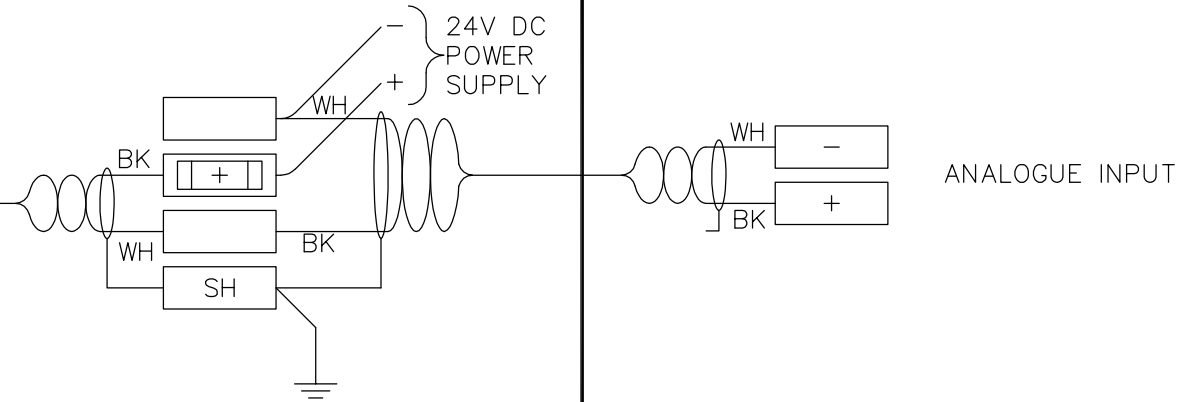
PRESSURE / TEMP TRANSMITTER
ETC. LOOP POWERED DEVICE



CONTROL PANEL

FIELD CABLE TERMINALS

PLC SECTION



 Certificate of Authorization Earth Tech Canada Inc. No. 730 Expiry: April 30, 2006	B.M. ELEV.	 Fredericson Cooper ARCHITECTS	 A Type International Ltd. Company	ENGINEER'S SEAL	 THE CITY OF WINNIPEG WATER AND WASTE DEPARTMENT ENGINEERING DIVISION WATER TREATMENT PLANT MAIN BUILDING MECHANICAL AND ELECTRICAL AUTOMATION / I&C TYPICAL LOOP POWERED ANALOGUE INPUT INSTRUMENTATION LOOP DIAGRAM	CITY FILE NUMBER
	DESIGNED BY NT			CHECKED BY SWT		ORIGINAL SIGNED BY
	DRAWN BY GLG	APPROVED BY AHL	S.W. TORMEY	2006/03/29		CITY DRAWING NUMBER
	02 792-2006 ISSUED FOR TENDER 07/02/15 LAE 01 ISSUED FOR CONSTRUCTION 06/07/28 JBC 00 ISSUED FOR TENDER 06/03/29 GLG	SCALE: NTS	RELEASED FOR CONSTRUCTION BY: R. SOROKOWSKI	CONSULTANT DRAWING NO. WB-A0465		1-0601B-H-A0465-001-02B