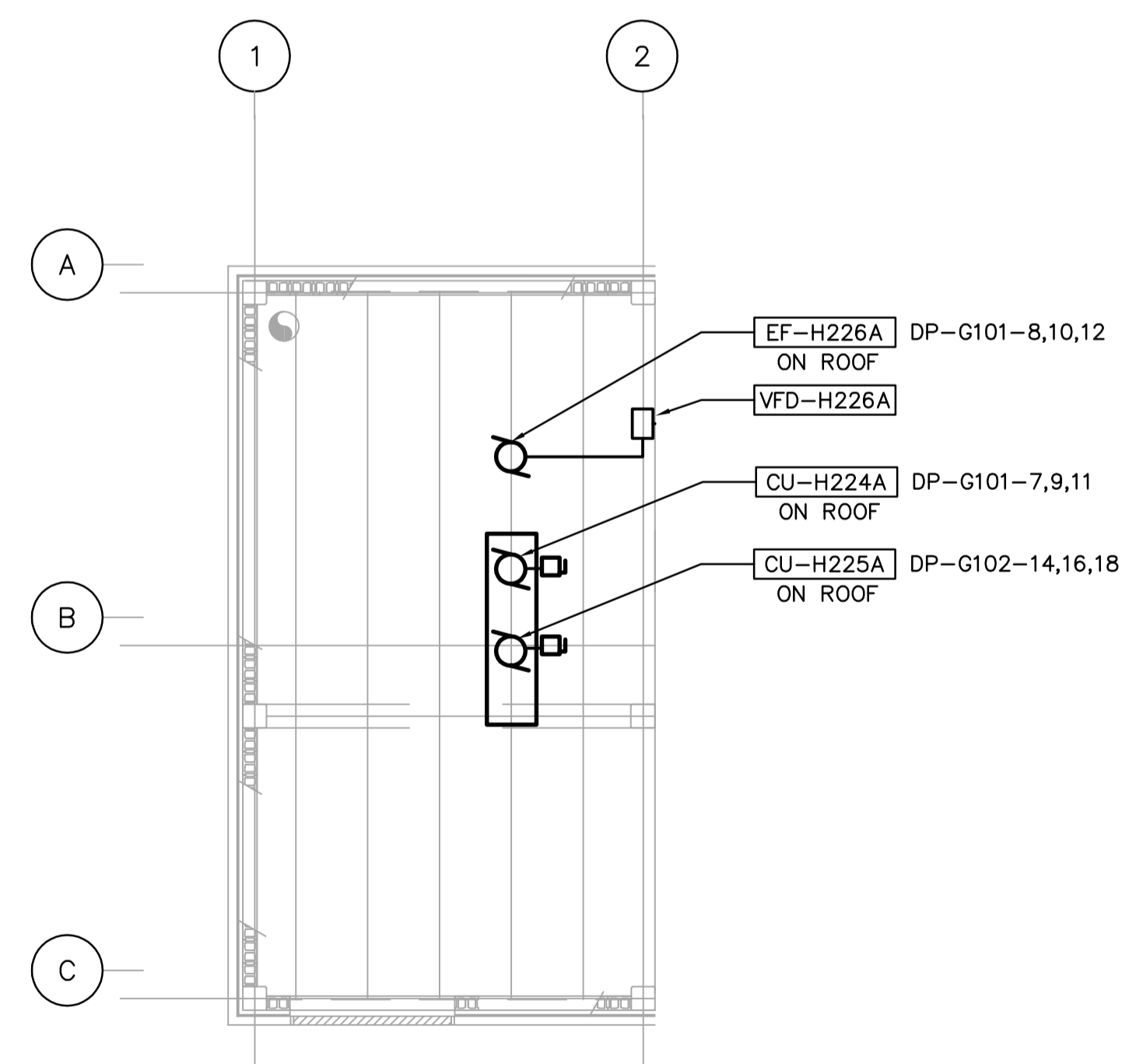


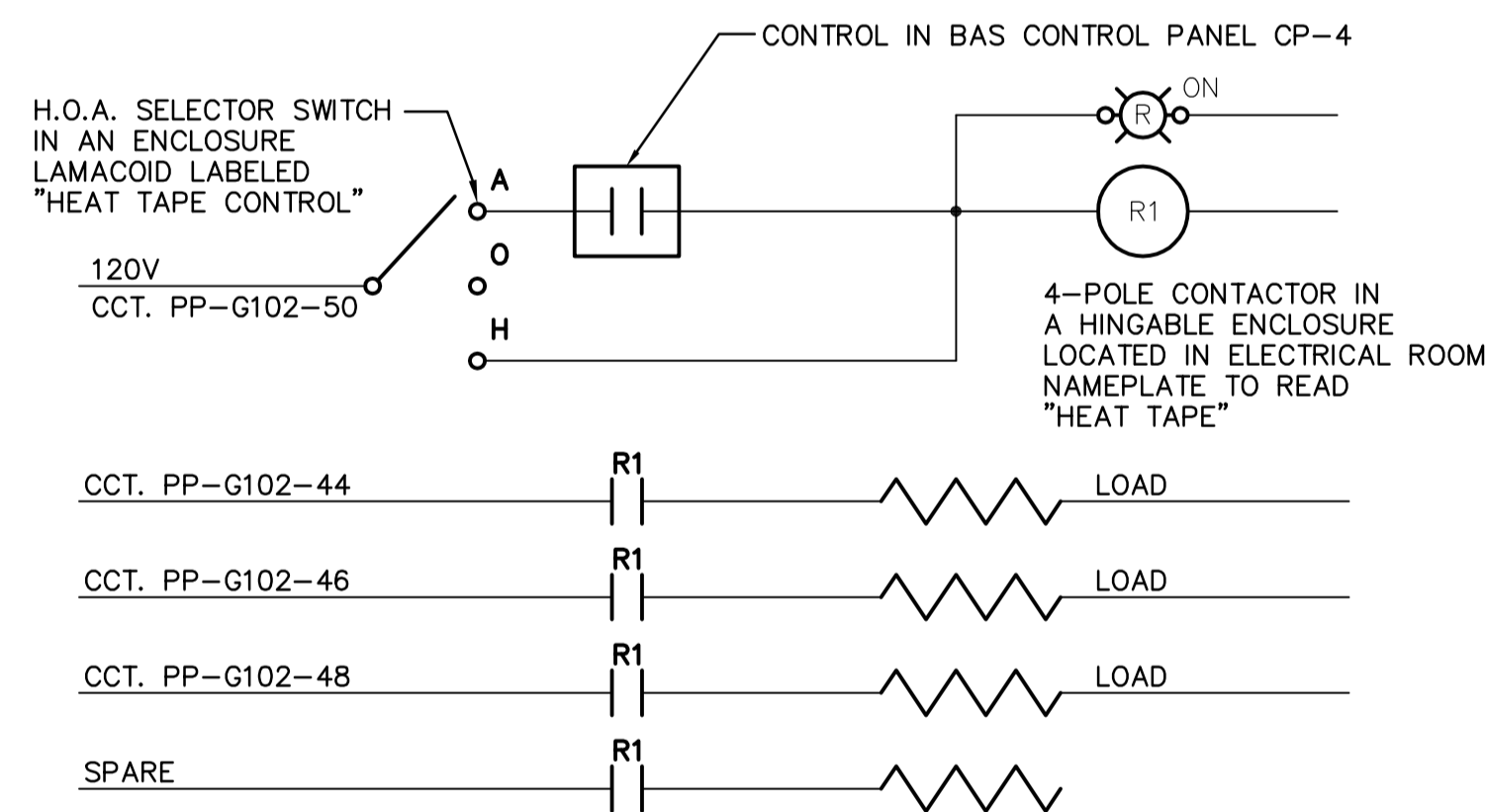
MAIN FLOOR PLAN

1:100



ROOF POWER PLAN

1:100



1
WG-E0112
DETAIL - HEAT TAPE CONTROL
NTS

DRAWING NOTES

- ① DUCT BANK TO BULK CHEMICAL BUILDING SUPPLIED AND INSTALLED UNDER BID OPPORTUNITY 792-2006 TO CONTRACT LIMIT AS SHOWN ON DRAWING WS-E0001.
- ② CABLES TO BULK CHEMICAL BUILDING INSTALLED AND TERMINATED IN HIGH VOLTAGE SWITCH GEAR UNDER BID OPPORTUNITY 792-2006

<p>Certificate of Authorization Earth Tech Canada Inc. No. 730 Expiry: April 30, 2007</p>	B.M. ELEV.	<p>Frederickson Cooper ARCHITECTS</p>	<p>A Type International Ltd. Company</p>	ENGINEER'S SEAL	<p>THE CITY OF WINNIPEG WATER AND WASTE DEPARTMENT ENGINEERING DIVISION</p>			
	DESIGNED BY			CHECKED BY		ORIGINAL SIGNED BY		
	DRAWN BY			APPROVED BY		2006/08/30		
	SCALE: NTS			RELEASED FOR CONSTRUCTION BY:		CONSULTANT DRAWING NO.		
NO. REVISIONS	DATE	BY	DATE	2005/10/03	2006/08/30	WG-E0112	<p>WATER TREATMENT PLANT STANDBY POWER GENERATOR GENERATOR BUILDING</p>	CITY FILE NUMBER
							<p>ELECTRICAL MAIN FLOOR POWER PLAN</p>	SHEET OF
							<p>1-0601G-A-E0112-001-060</p>	