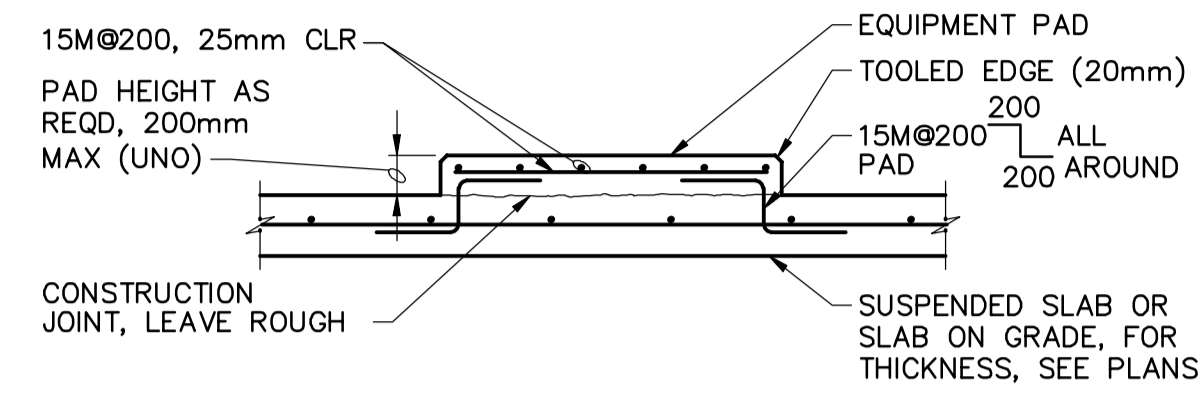


SECTION

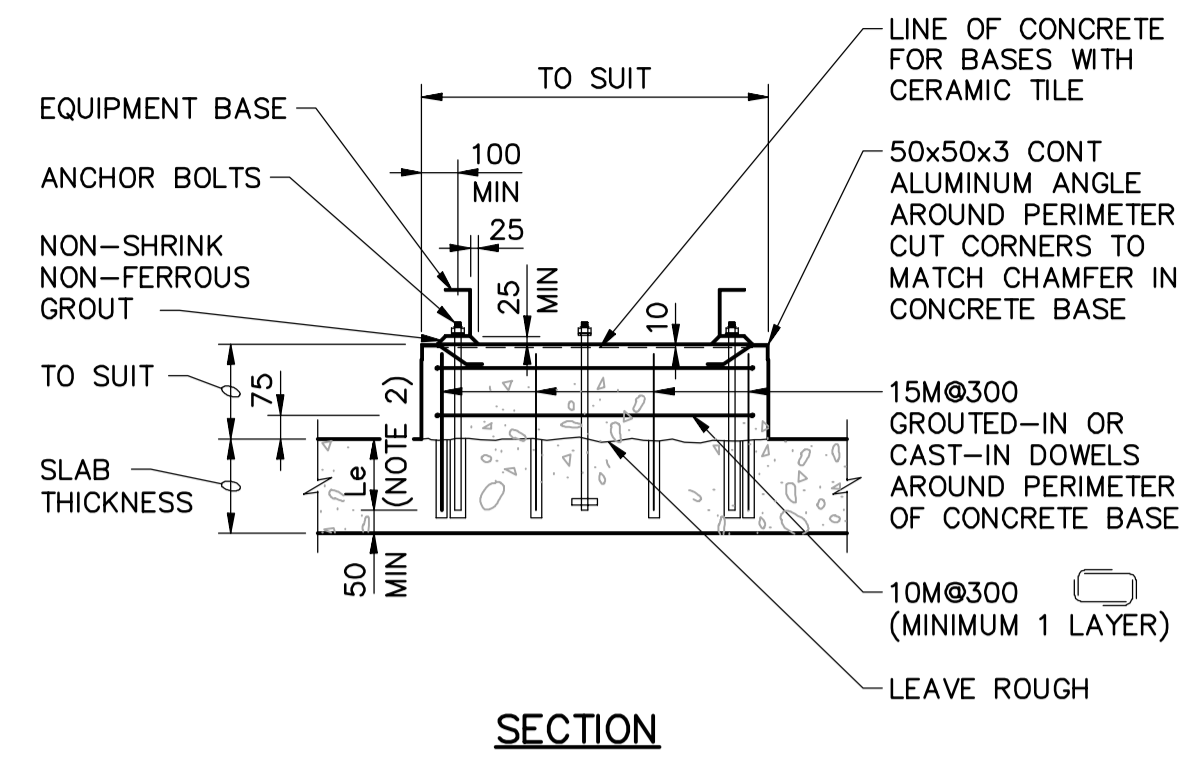
1 CONCRETE EDGE PROTECTION
N.T.S.



NOTES:

- SEE EQUIPMENT PAD NOTES.
- WHEN ANCHORAGE OF EQUIPMENT TO SLAB IS REQUIRED, USE SST WEDGE ANCHORS SPECIFIED.

2 EQUIPMENT PAD
N.T.S.

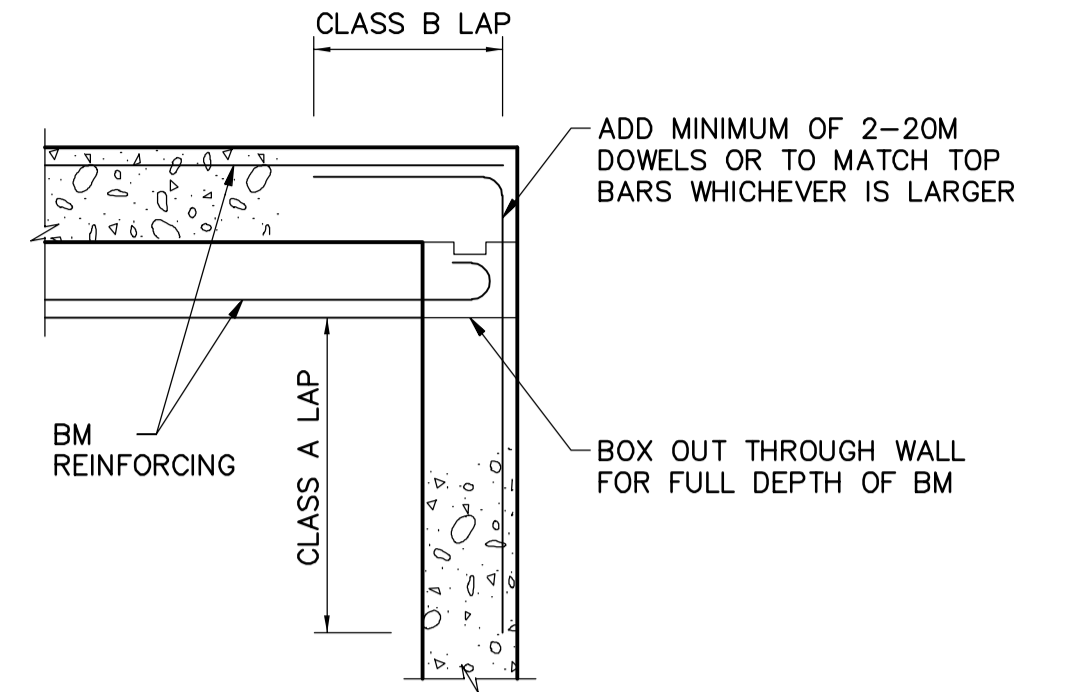


SECTION

NOTES:

- DIMENSIONS OF BASES, ANCHOR BOLTS, SIZES AND LOCATIONS TO SUIT EQUIPMENT SUPPLIED.
- FOR GROUDED-IN DOWEL EMBEDMENT LENGTH, REFER TO DETAIL 5.
- ANCHOR BOLT EMBEDMENT DETAILS, PRESTRESSING, ETC AS REQUIRED BY EQUIPMENT MANUFACTURER.
- FOR ANCHOR BOLT DETAILS, SEE 6.

3 TYPICAL CONCRETE EQUIPMENT PAD
N.T.S.

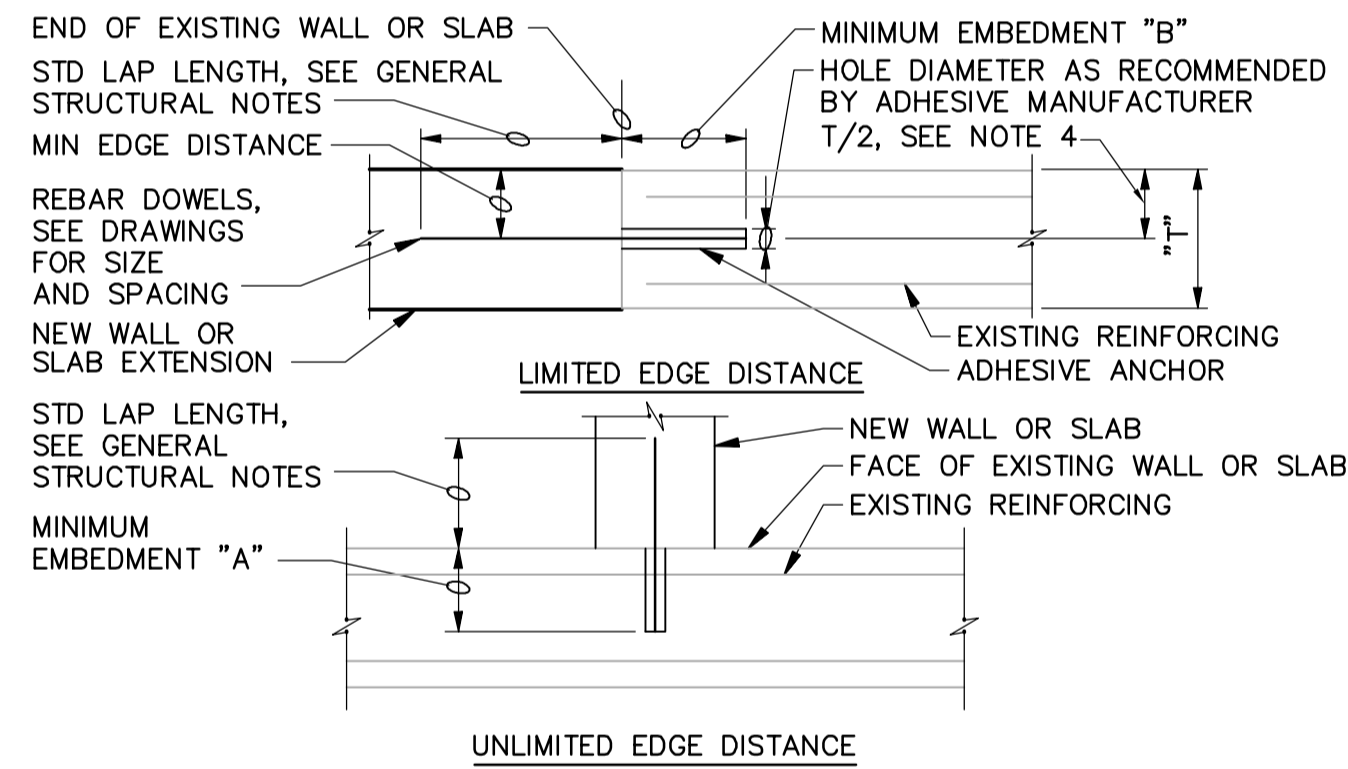


SECTION

NOTE:

SEALANT SHALL BE APPLIED TO BOTH SIDES OF EXPOSED JOINTS.

4 CONCRETE BEAM END
N.T.S.

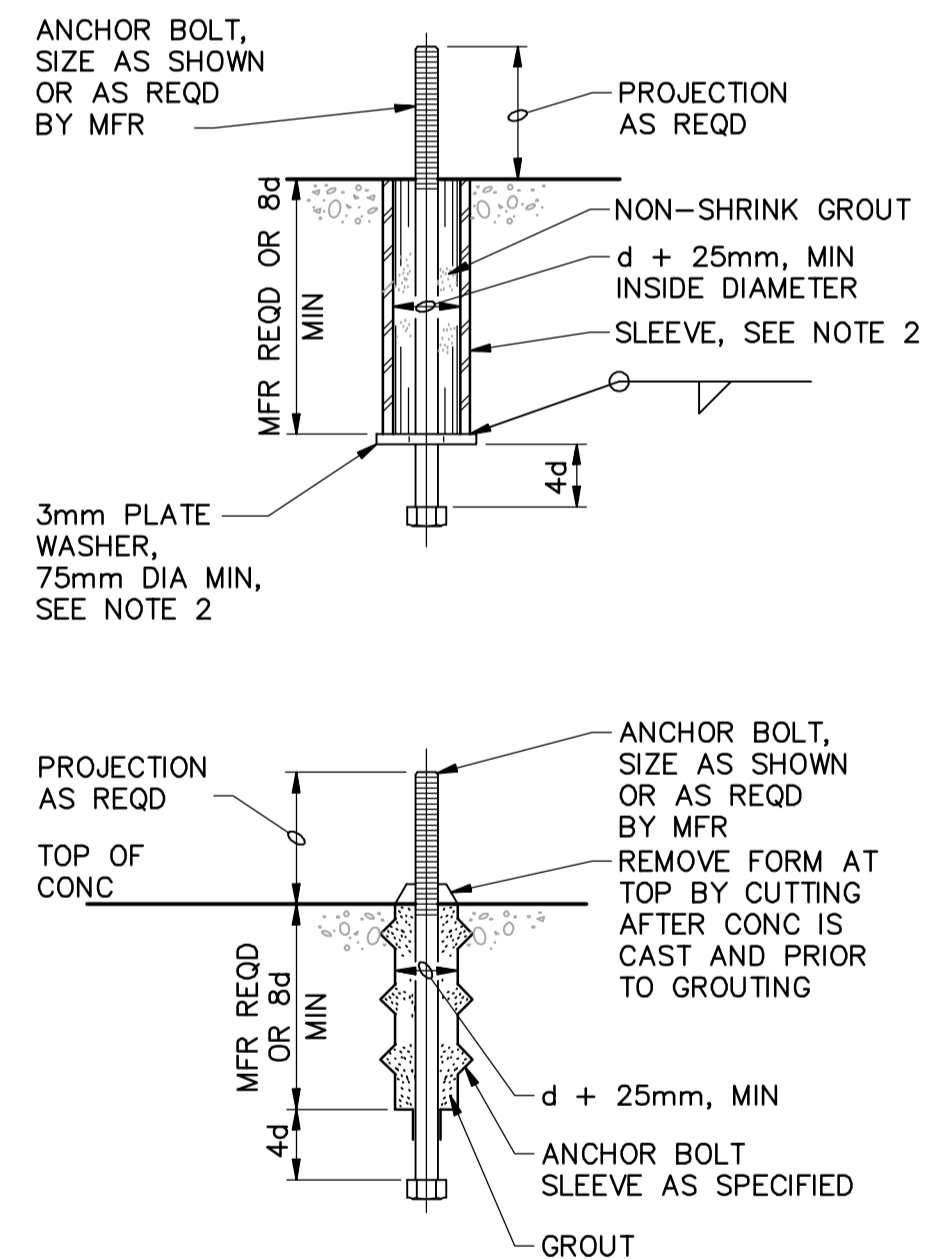


DOWEL SIZE	MINIMUM EDGE DIST	MINIMUM EMBEDMENT A	MINIMUM EMBEDMENT B
10M	65mm	125mm	200mm
15M	100mm	200mm	330mm
20M	125mm	265mm	400mm
25M	175mm	355mm	560mm
30M	190mm	380mm	600mm

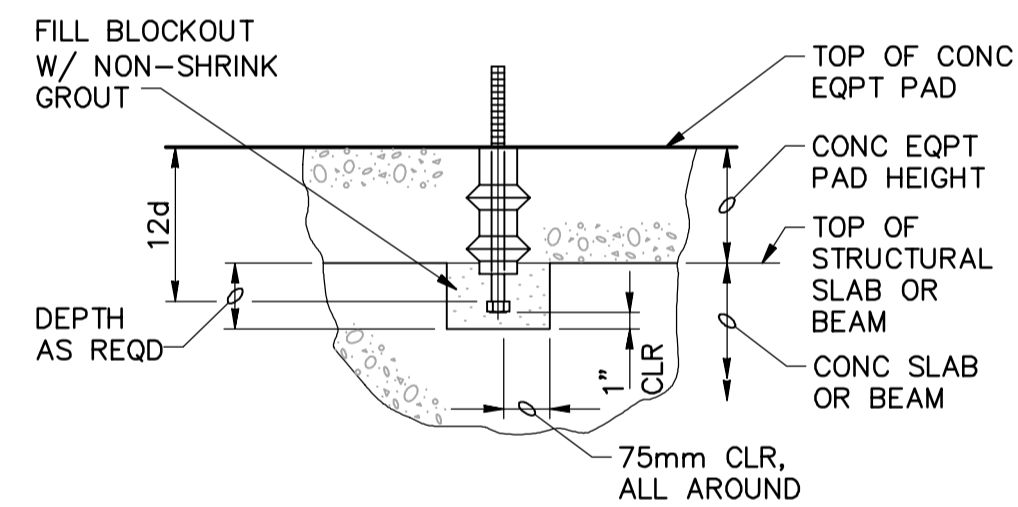
NOTES:

- FOLLOW ADHESIVE MANUFACTURER'S INSTRUCTIONS FOR INSTALLATION.
- USE MINIMUM EMBEDMENTS SHOWN, EXCEPT USE MANUFACTURER'S MINIMUM RECOMMENDED EMBEDMENT IF GREATER.
- LOCATE DOWELS CENTERED IN WALL OR SLAB UNLESS OTHERWISE NOTED ON DRAWINGS. WHERE 2 ROWS OF DOWELS INDICATED, STAGGER SPACING & LOCATE ALTERNATING DOWELS AT MINIMUM EDGE DISTANCE FROM OPPOSITE FACES.

5 ADHESIVE DOWEL
N.T.S.



MACHINERY ANCHOR BOLT



ELEVATION
ANCHOR BOLT BLOCKOUT

NOTES:

- FOR CONCRETE EQUIPMENT PAD DETAILS AND NOTES NOT SHOWN SEE 2 AND 3.
- MATERIAL TO MATCH BOLT.

6 ANCHOR BOLTS
N.T.S.



B.M. ELEV.			
DESIGNED BY	MH	CHECKED BY	AP
DRAWN BY	CR	APPROVED BY	AHL
SCALE:	NTS	RELEASED FOR CONSTRUCTION BY:	R. SOROKOWSKI
00 ISSUED FOR TENDER	07/01/31	DATE	2006/08/21
NO. REVISIONS		DATE	2007/01/31



ENGINEER'S SEAL	
ORIGINAL SIGNED BY	D. KRUGER
	2007/01/31
CONSULTANT DRAWING NO.	WJ-S0454

THE CITY OF WINNIPEG
WATER AND WASTE DEPARTMENT
ENGINEERING DIVISION

WATER TREATMENT PLANT
SODIUM HYPOCHLORITE BUILDING
SODIUM HYPOCHLORITE AND CHEMICAL STORAGE BUILDINGS

STRUCTURAL
SODIUM HYPOCHLORITE BUILDING
STANDARD DETAILS

CITY FILE NUMBER
SHEET OF
CITY DRAWING NUMBER
1-0601J-A-S0454-001-000