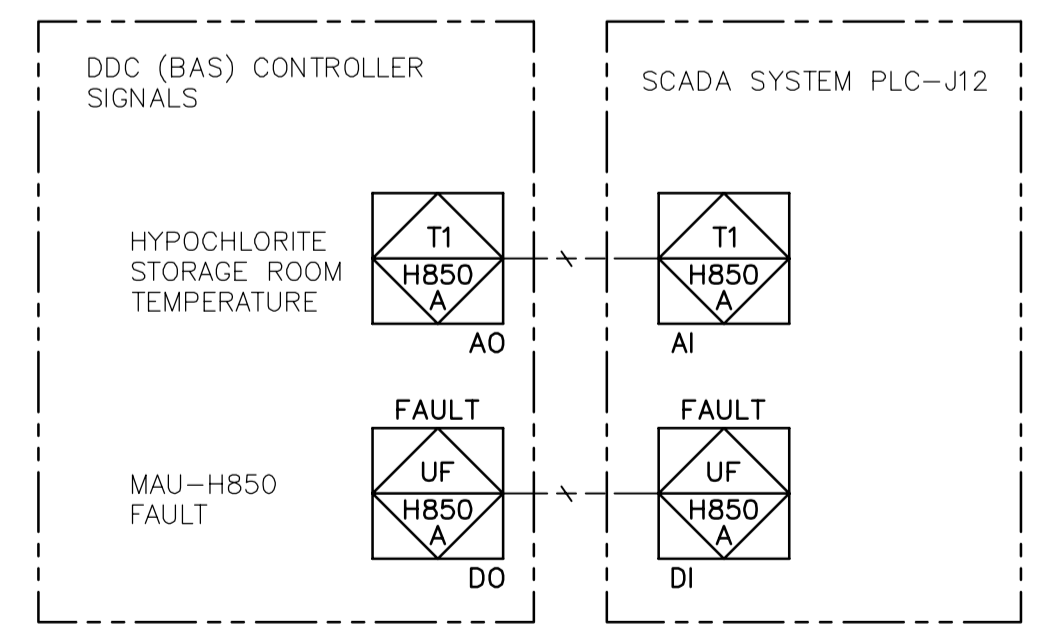


1 HYPOCHLORITE STORAGE ROOM HEATING AND VENTILATION SCHEMATIC (MAU-H850)
N.T.S.



 APEGN Certificate of Authorization CH2M HILL Canada Ltd. No. 1441 Expiry: April 30, 2007	B.M. ELEV.	 Frederickson Cooper ARCHITECTS	 EarthTech A 100 International Ltd. Company	ENGINEER'S SEAL ORIGINAL SIGNED BY D.K. CUDDINGTON 2007/01/31	 THE CITY OF WINNIPEG WATER AND WASTE DEPARTMENT ENGINEERING DIVISION WATER TREATMENT PLANT SODIUM HYPOCHLORITE BUILDING SODIUM HYPOCHLORITE AND CHEMICAL STORAGE BUILDINGS HVAC AND PLUMBING SODIUM HYPOCHLORITE BUILDING HEATING AND VENTILATION SCHEMATIC	CITY FILE NUMBER SHEET OF CITY DRAWING NUMBER 1-0601J-G-H0501-001-000
	DESIGNED BY TT CHECKED BY DKC DRAWN BY TT APPROVED BY AHL SCALE: NTS RELEASED FOR CONSTRUCTION BY: R. SOROKOWSKI	CONSULTANT DRAWING NO. WJ-H0501				
00 ISSUED FOR TENDER 07/01/31 TT NO. REVISIONS DATE BY DATE 2006/10/16 DATE 2007/01/31						