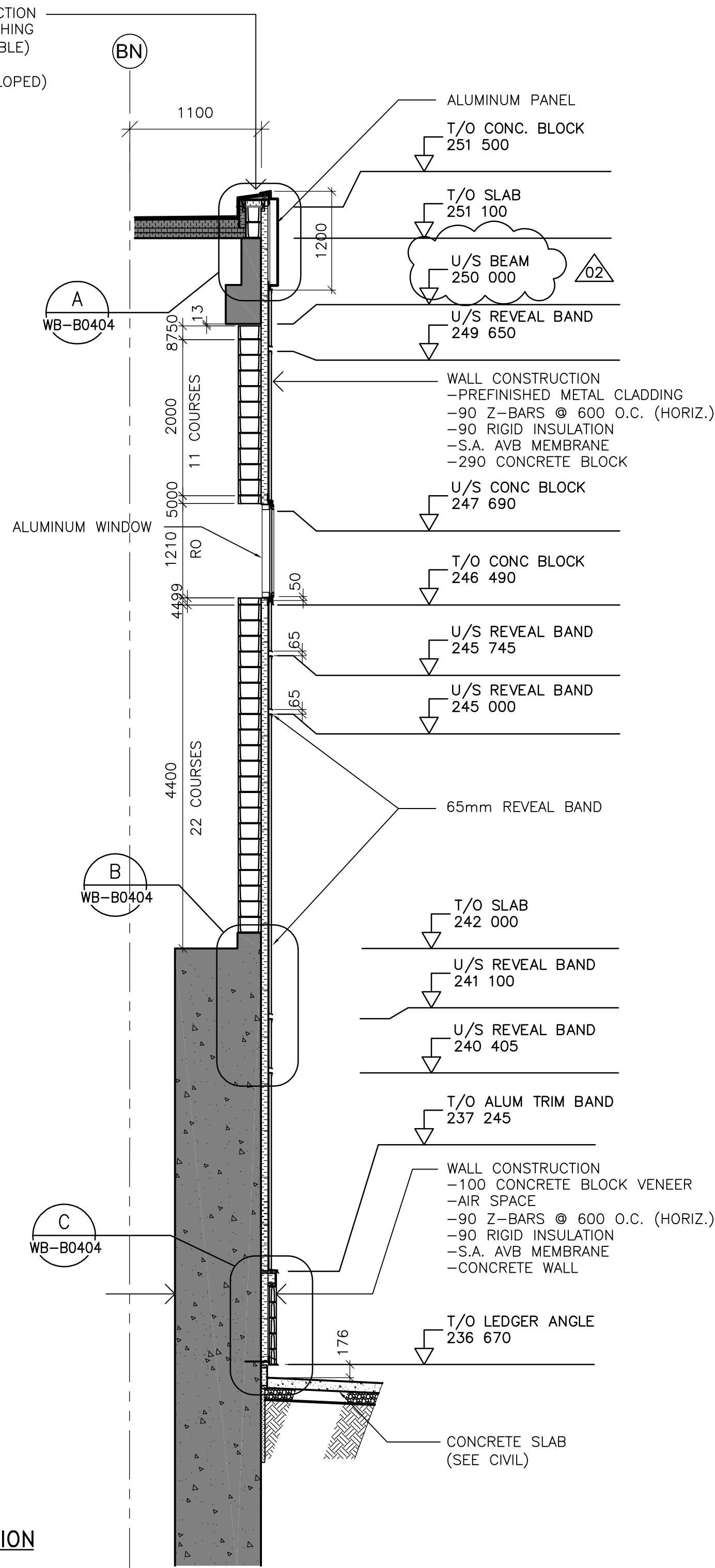


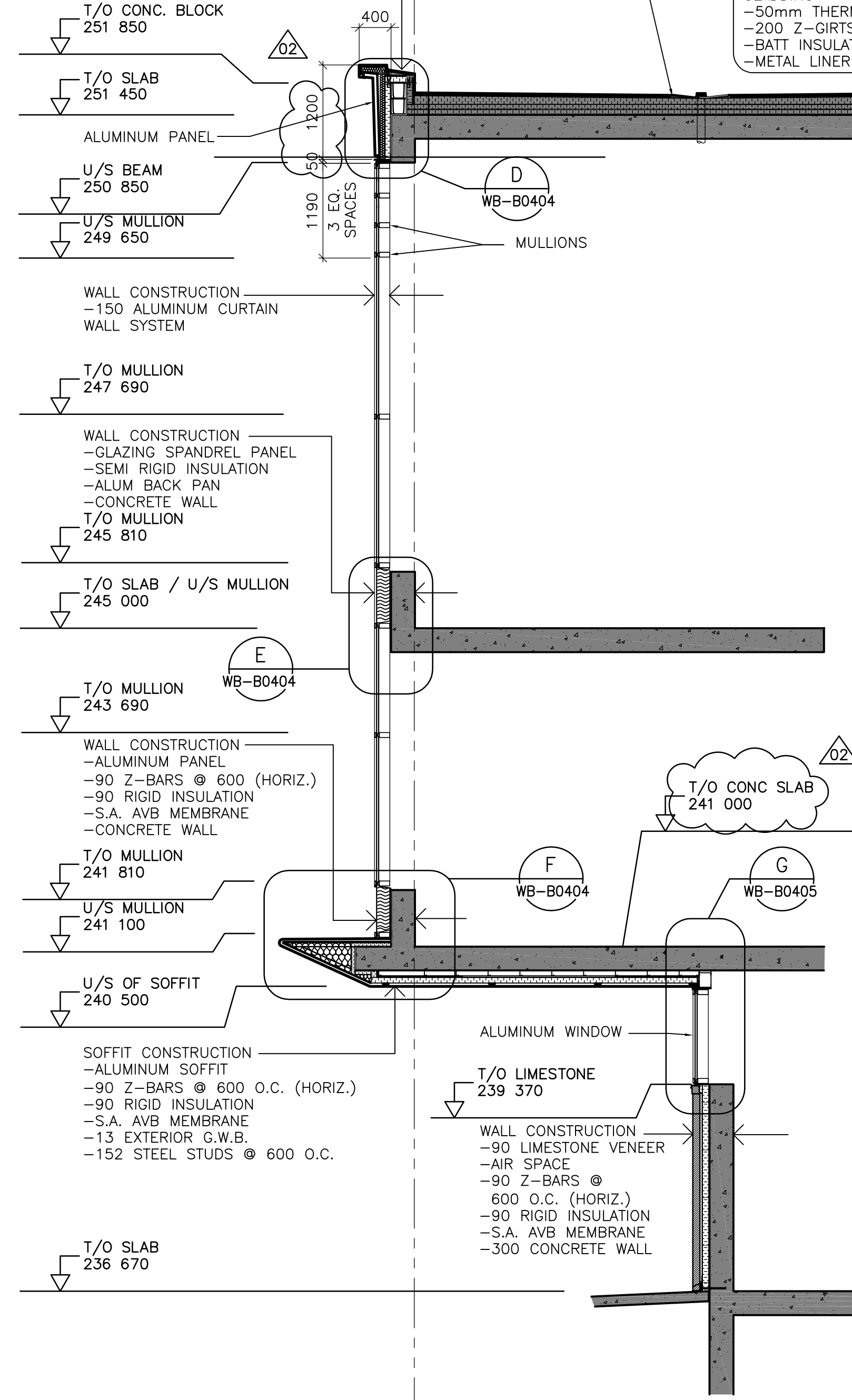
TYPICAL COPING CONSTRUCTION  
 -PREFINISHED METAL FLASHING  
 -S.A. MEMBRANE (TORCHABLE)  
 -13 P.T. PLYWOOD  
 -P.T. WOOD BLOCKING (SLOPED)  
 -13 P.T. PLYWOOD  
 -75 RIGID INSULATION  
 -AVB



1 WALL SECTION  
 WB-B0201 1 : 50

NOTE: MECHANICAL ROOM ENCLOSURE:  
 DESIGN-BUILD (SEE STRUCTURAL)  
 ENVELOPE MATERIALS ARE FOR  
 PERFORMANCE INFORMATION ONLY.

COPING CONSTRUCTION  
 -PREFINISHED METAL FLASHING  
 -S.A. MEMBRANE (TORCHABLE)  
 -13 P.T. PLYWOOD  
 -P.T. WOOD BLOCKING (SLOPED)  
 -13 P.T. PLYWOOD  
 -75 RIGID INSULATION  
 -AVB



2 WALL SECTION  
 WB-B0202 1 : 50

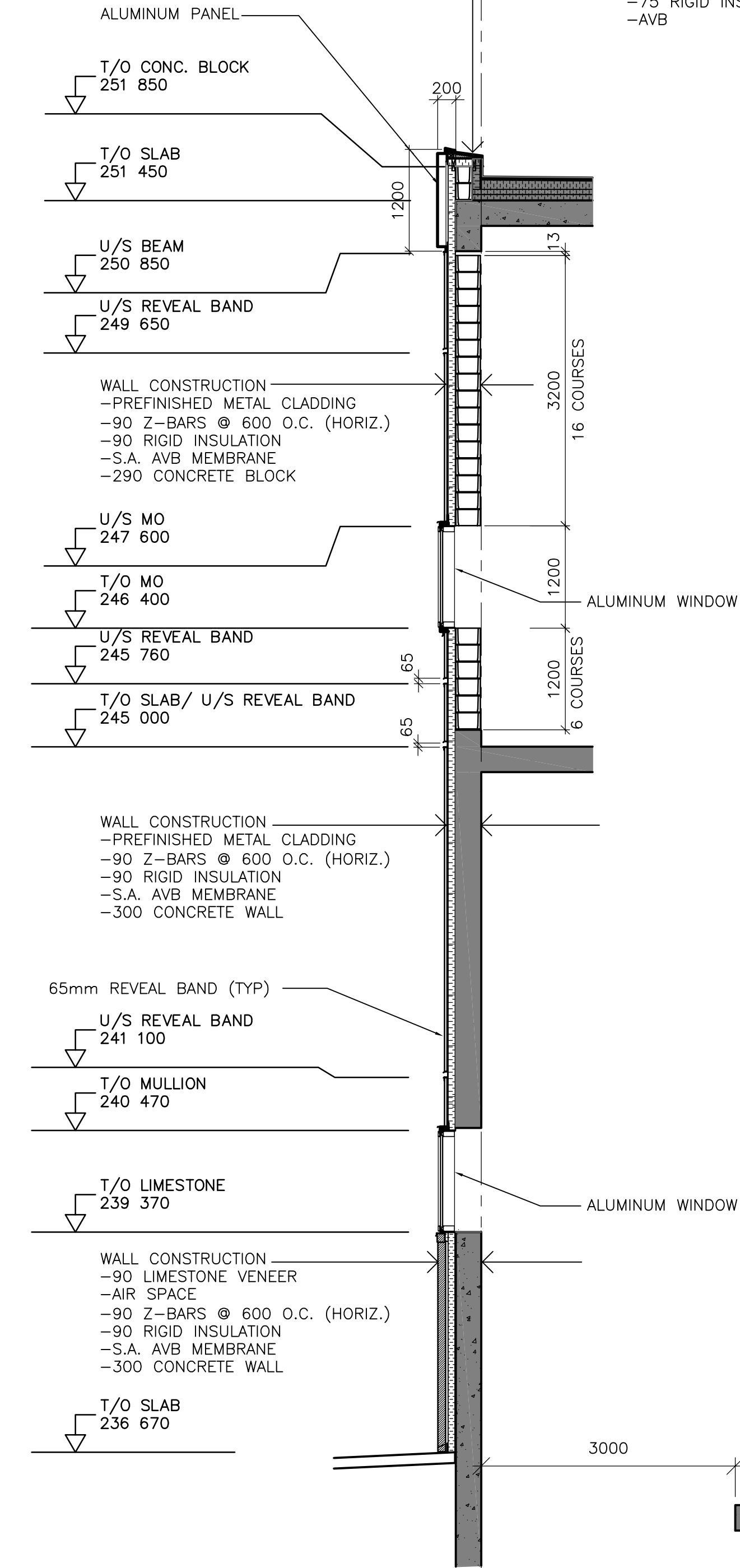
COPING CONSTRUCTION  
 -PREFINISHED METAL FLASHING  
 -S.A. MEMBRANE (TORCHABLE)  
 -13 P.T. PLYWOOD  
 -P.T. WOOD BLOCKING (SLOPED)  
 -13 P.T. PLYWOOD

ROOFING  
 (SEE CONTRACT # 171-2006)

STEEL STRUCTURE  
 WALL CONSTRUCTION  
 -PREFINISHED METAL  
 CLADDING  
 -50mm THERMO CLIPS  
 -200 Z-GIRTS @ 2000 O.C.  
 -BATT INSULATION  
 -METAL LINER-

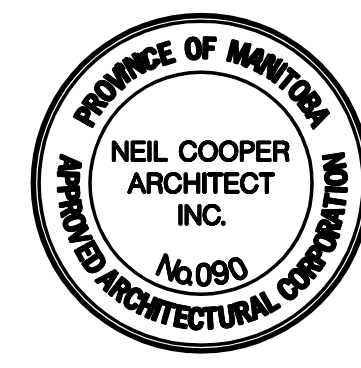
CONCRETE CURB  
 (SEE STRUCT)

NOTE:  
 SEE DETAIL 5/WB-B0431 FOR  
 PARAPET EXPANSION JOINT.



3 WALL SECTION  
 WB-B0110 1 : 50

COPING CONSTRUCTION  
 -PREFINISHED METAL FLASHING  
 -S.A. MEMBRANE (TORCHABLE)  
 -13 P.T. PLYWOOD  
 -P.T. WOOD BLOCKING (SLOPED)  
 -13 P.T. PLYWOOD  
 -75 RIGID INSULATION  
 -AVB



NO.	REVISIONS	DATE	BY	DATE	BY
02	793-2006 ADDENDUM 2	07/04/05	LK		
01	793-2006 ADDENDUM 1	07/03/29	LK		
00	ISSUED FOR TENDER	07/03/19	LK		

DESIGNED BY	NC	CHECKED BY	LK
DRAWN BY	AL	APPROVED BY	AHL
SCALE:	AS SHOWN	RELEASED FOR CONSTRUCTION BY:	R. SOROKOWSKI
DATE	2005/11/28	DATE	2007/03/19

ENGINEER'S SEAL  
 ORIGINAL SIGNED BY  
 NEIL COOPER  
 2007/03/19  
 CONSULTANT DRAWING NO.  
 WB-B0250

**THE CITY OF WINNIPEG**  
 WATER AND WASTE DEPARTMENT  
 ENGINEERING DIVISION

WATER TREATMENT PLANT  
 MAIN BUILDING  
 BUILDING ENVELOPE

ARCHITECTURAL  
 WALL SECTIONS

CITY FILE NUMBER  
 SHEET OF  
 CITY DRAWING NUMBER  
 1-0601B-A-B0250-001-02D