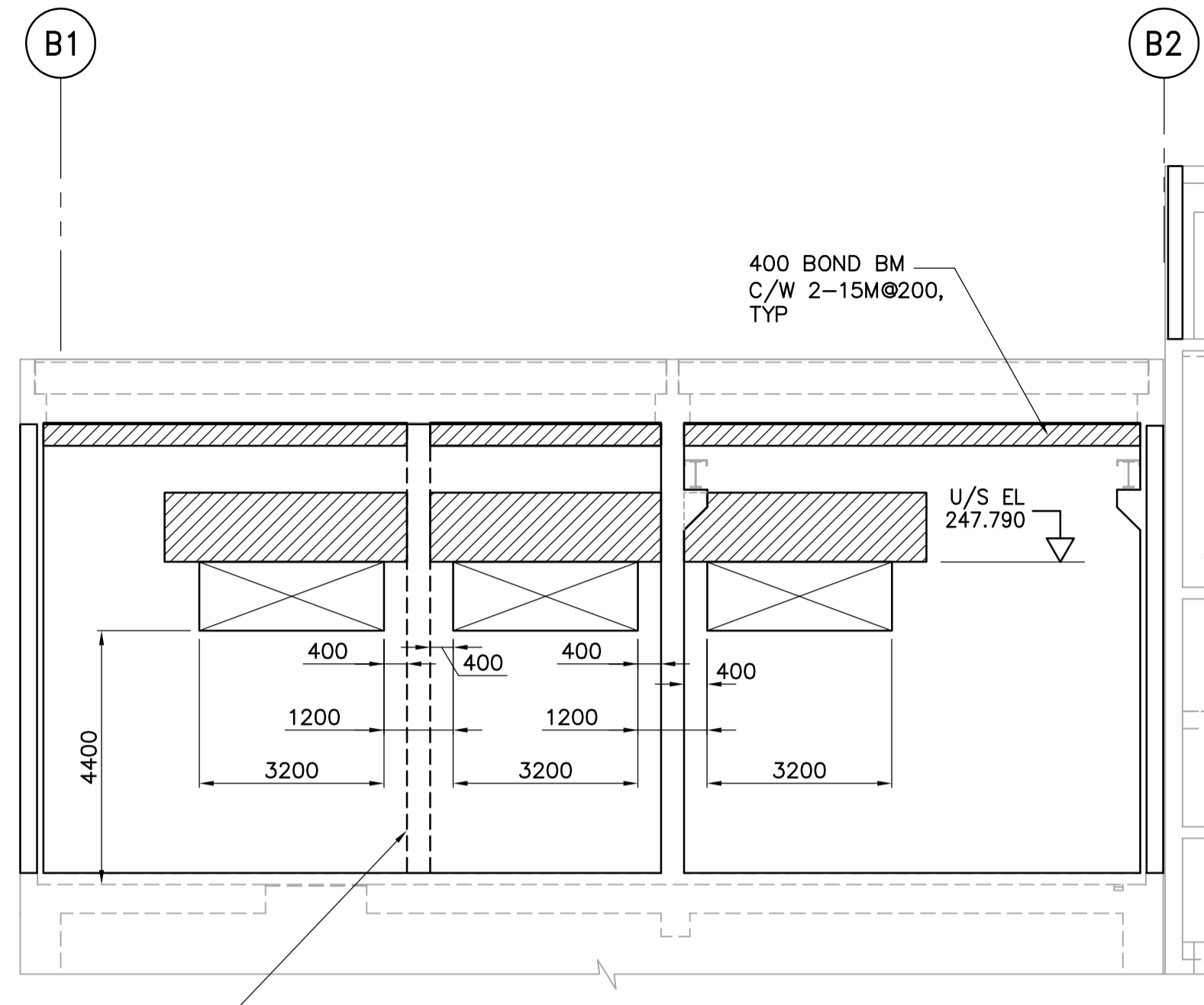
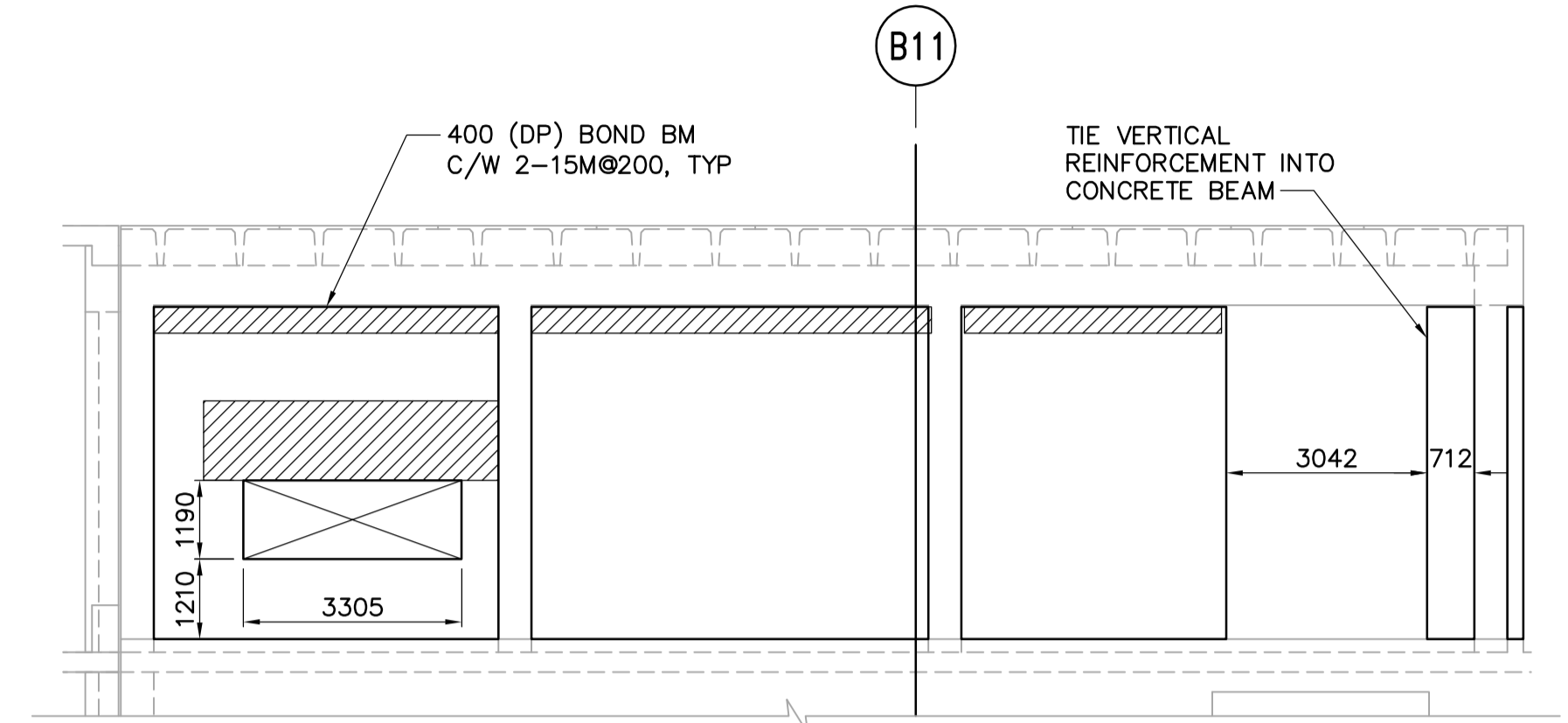


**A SECTION**  
WB-S6130 1:100

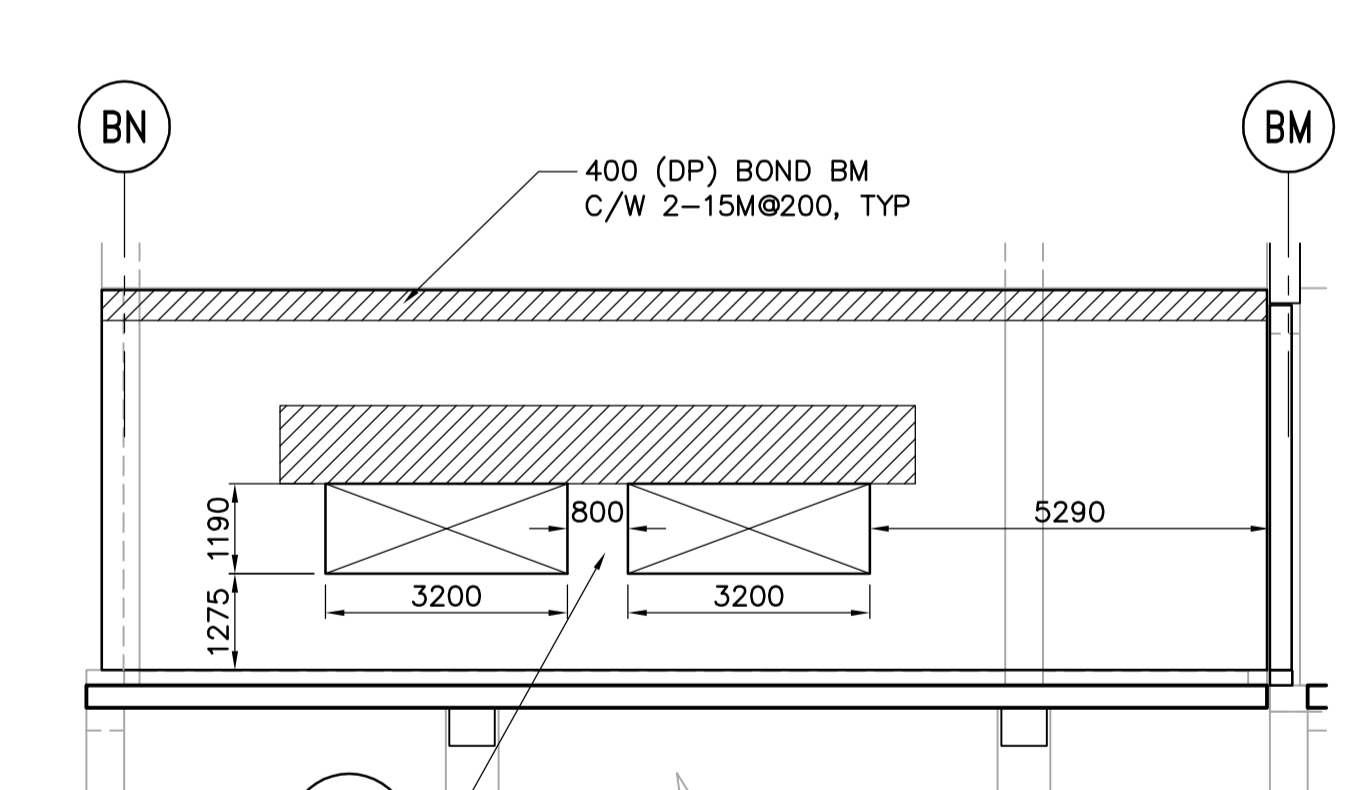


**B SECTION**  
WB-S6130 1:100

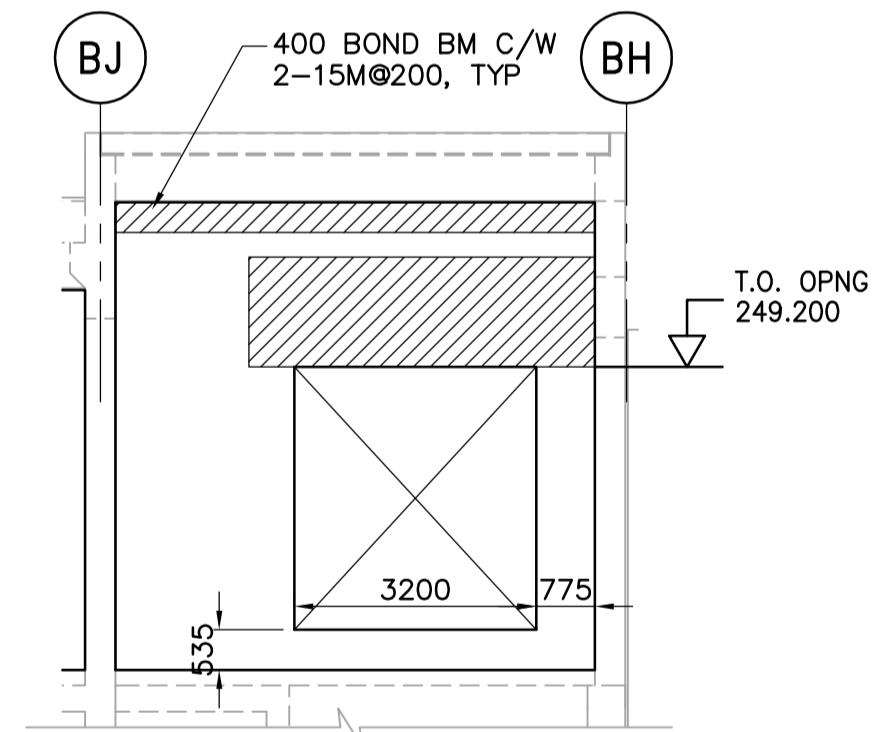


**C SECTION**  
WB-S6130 1:100

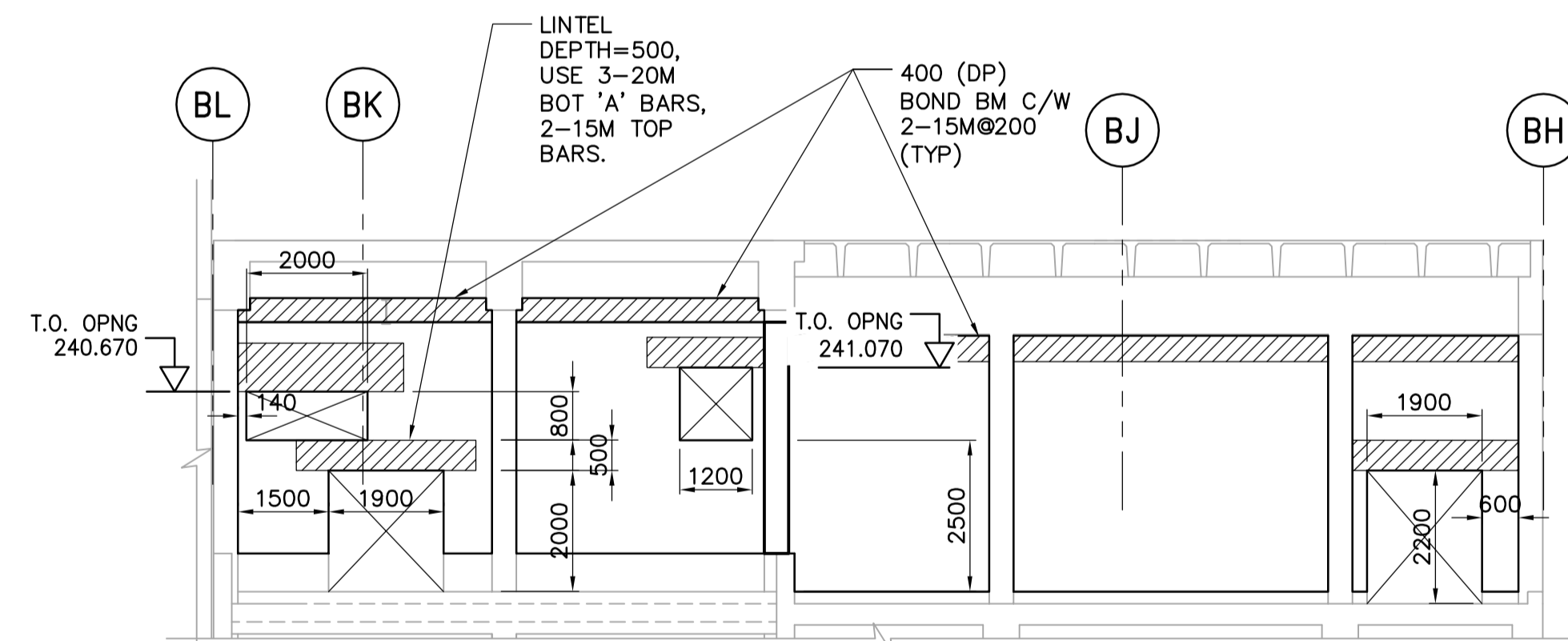
CONCRETE BLOCK PILASTER INTEGRATED WITH WALL.



**D SECTION**  
WB-S6130 1:100



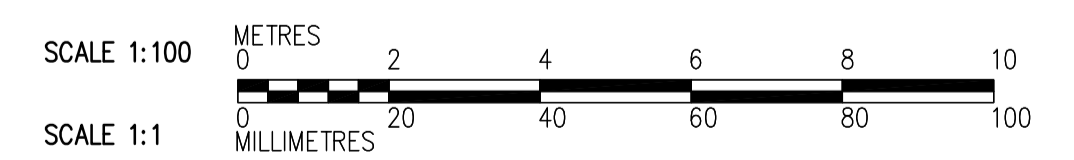
**E SECTION**  
WB-S6130 1:100



**F SECTION**  
WB-S6130 1:100

**NOTES:**

- AREAS SHOWN THUS INDICATE GENERAL LOCATION OF LINTELS AND BOND BEAMS
- FOR DETAILS OF LINTELS, BOND BEAMS, AND CORE FILLS REFER TO AND WB-S6451 WB-S6451
- COORDINATE EXACT DIMENSIONS AND LOCATIONS OF OPENINGS WITH BO 742-2005 CONTRACTOR.
- ANCHOR LINTEL HORIZONTAL 'A' BARS TO CONCRETE COLUMN IF REQUIRED EXTENSION CAN NOT BE MET ON THE SIDE OF OPENING.



 <b>APEGM</b> Certificate of Authorization CH2M HILL Canada Ltd. No. 1441 Expiry: April 30, 2007	 <b>Frederickson Cooper</b> ARCHITECTS		 EarthTech A Tyco International Ltd. Company		ENGINEER'S SEAL ORIGINAL SIGNED BY D. KRUGER 2007/04/10	 <b>THE CITY OF WINNIPEG</b> WATER AND WASTE DEPARTMENT ENGINEERING DIVISION WATER TREATMENT PLANT MAIN BUILDING BUILDING ENVELOPE STRUCTURAL OVERALL BUILDING SECTION DETAILS	CITY FILE NUMBER
	DESIGNED BY MH	CHECKED BY AP	CONSULTANT DRAWING NO. WB-S6201		SHEET OF		
	DRAWN BY CR	APPROVED BY AHL	RELEASED FOR CONSTRUCTION BY: R. SOROKOWSKI		CITY DRAWING NUMBER 1-0601B-A-S6201-001-000		
	SCALE: 1:100	DATE 2006/05/02	DATE 2007/03/07				
B.M. ELEV. NO. REVISIONS 00 793-2006 ADDEMDUM 2 07/04/10 MH	DATE 2006/05/02	DATE 2007/03/07					