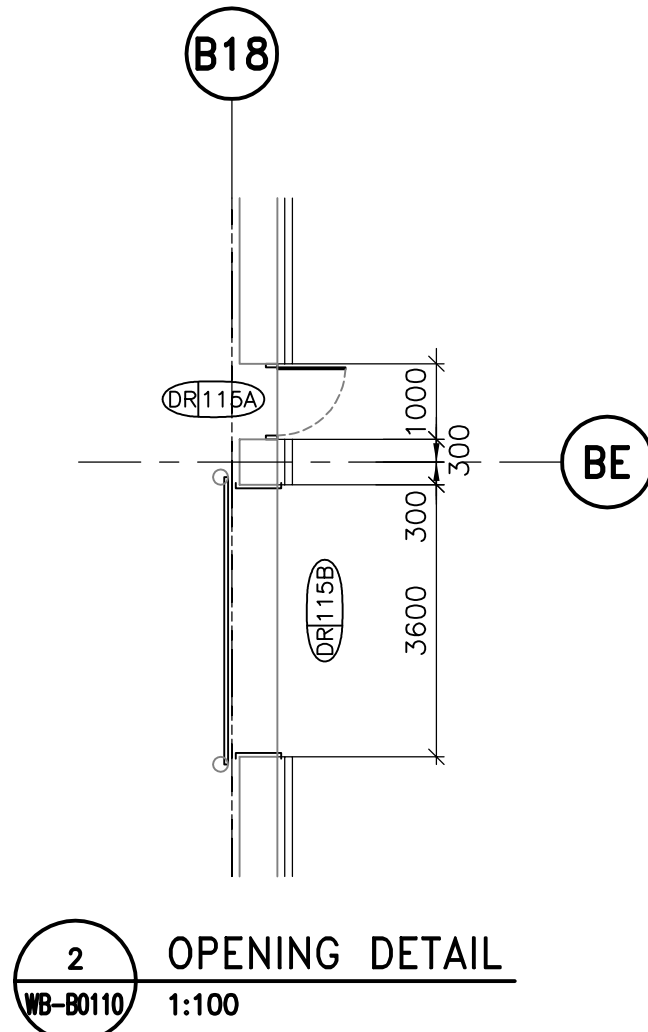
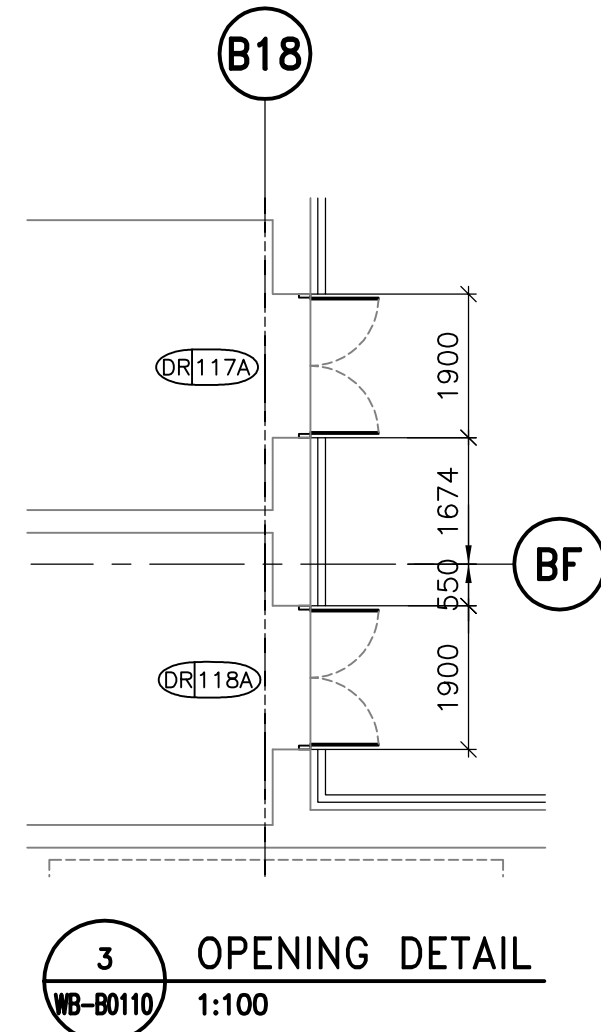


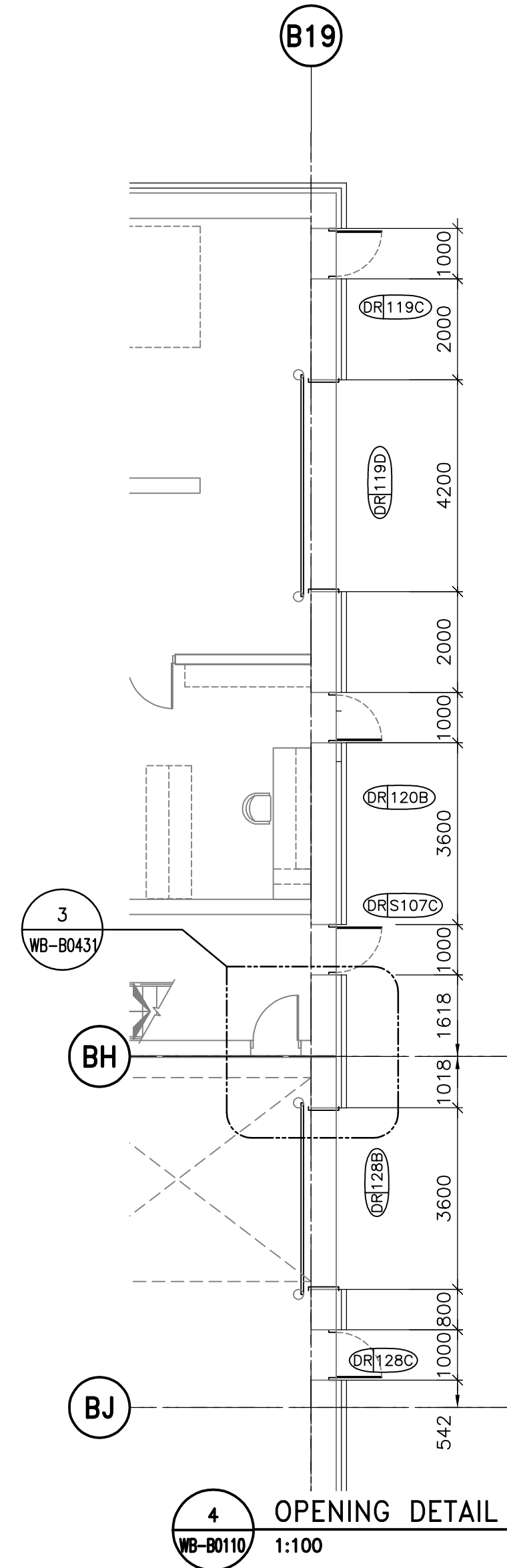
1 OPENING DETAIL
WB-B0110 1:100



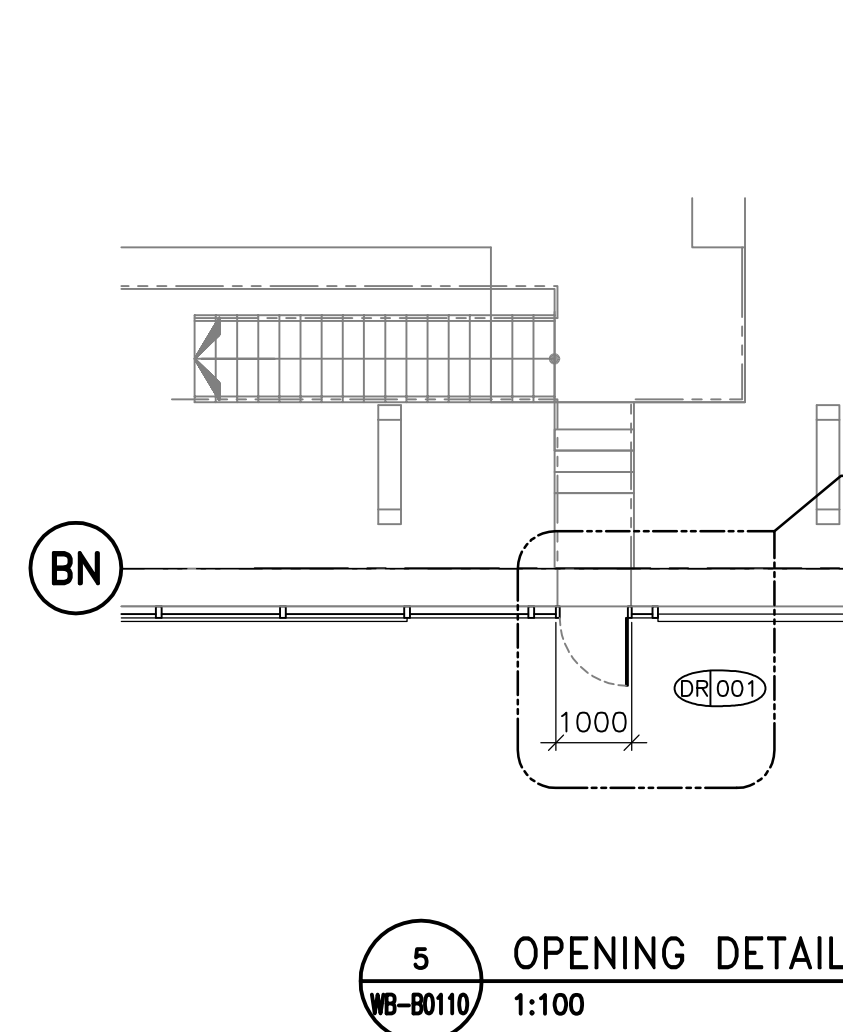
2 OPENING DETAIL
WB-B0110 1:100



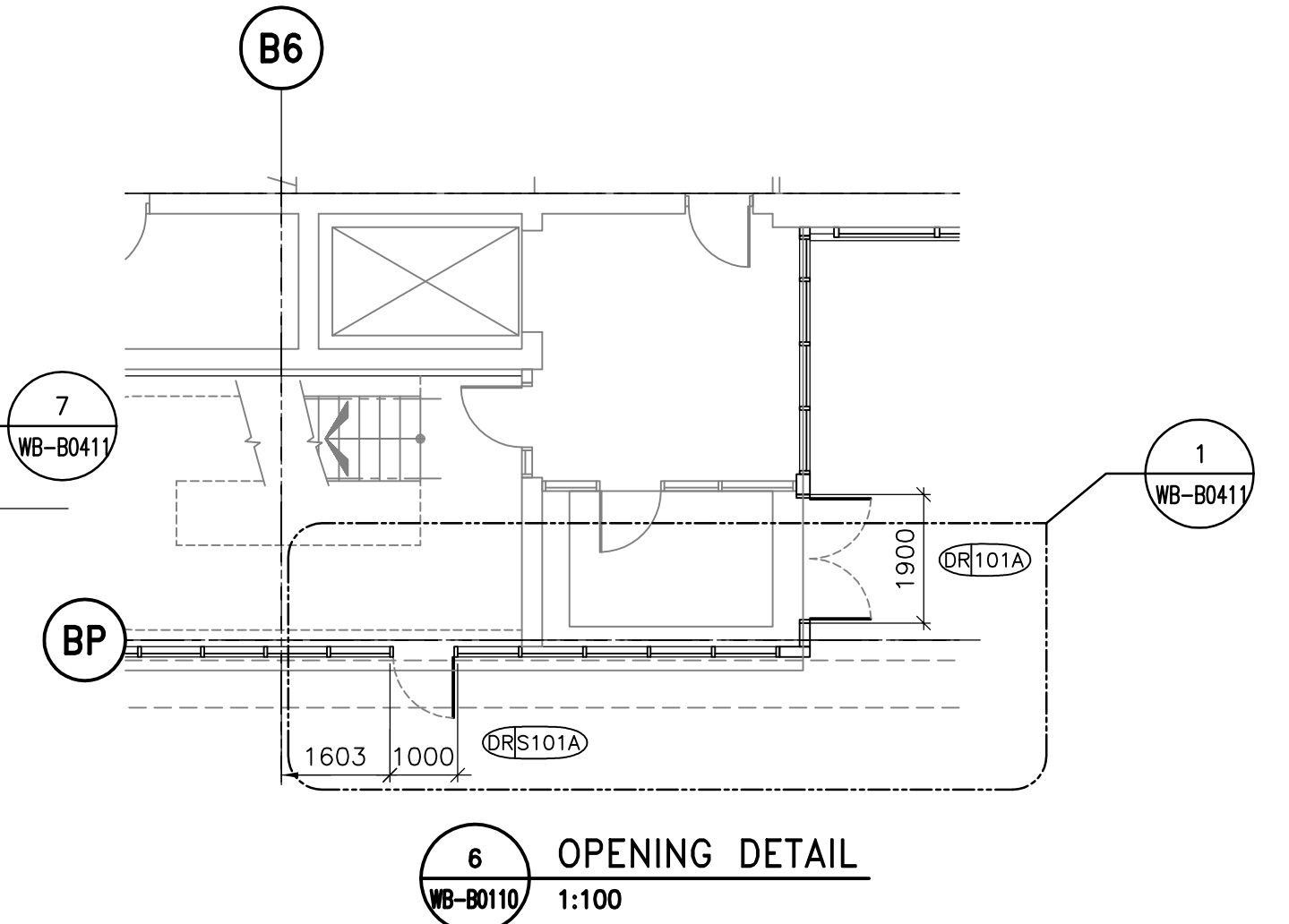
3 OPENING DETAIL
WB-B0110 1:100



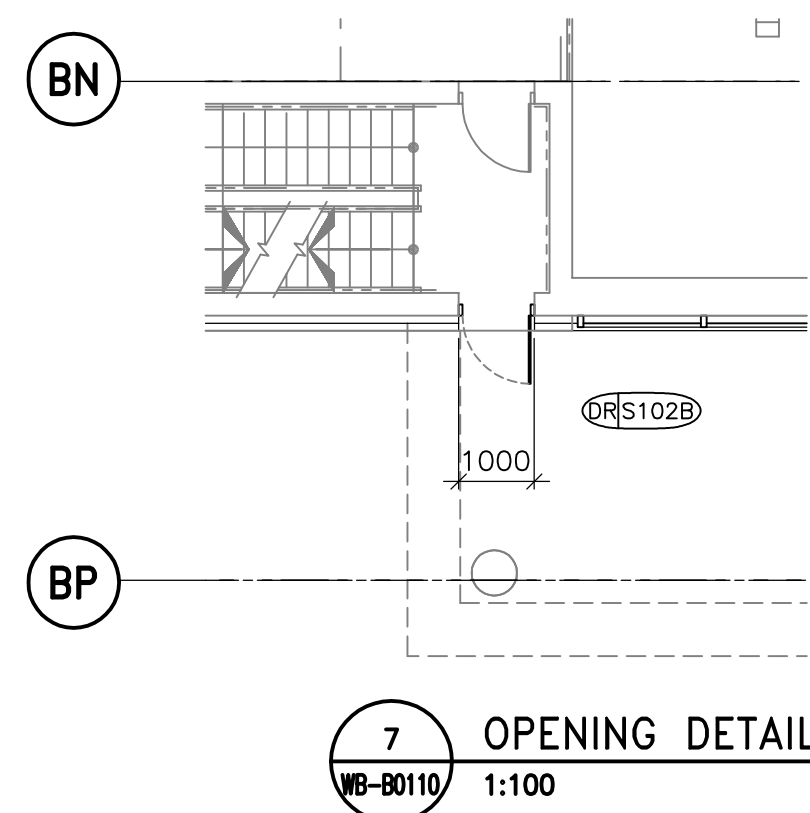
4 OPENING DETAIL
WB-B0110 1:100



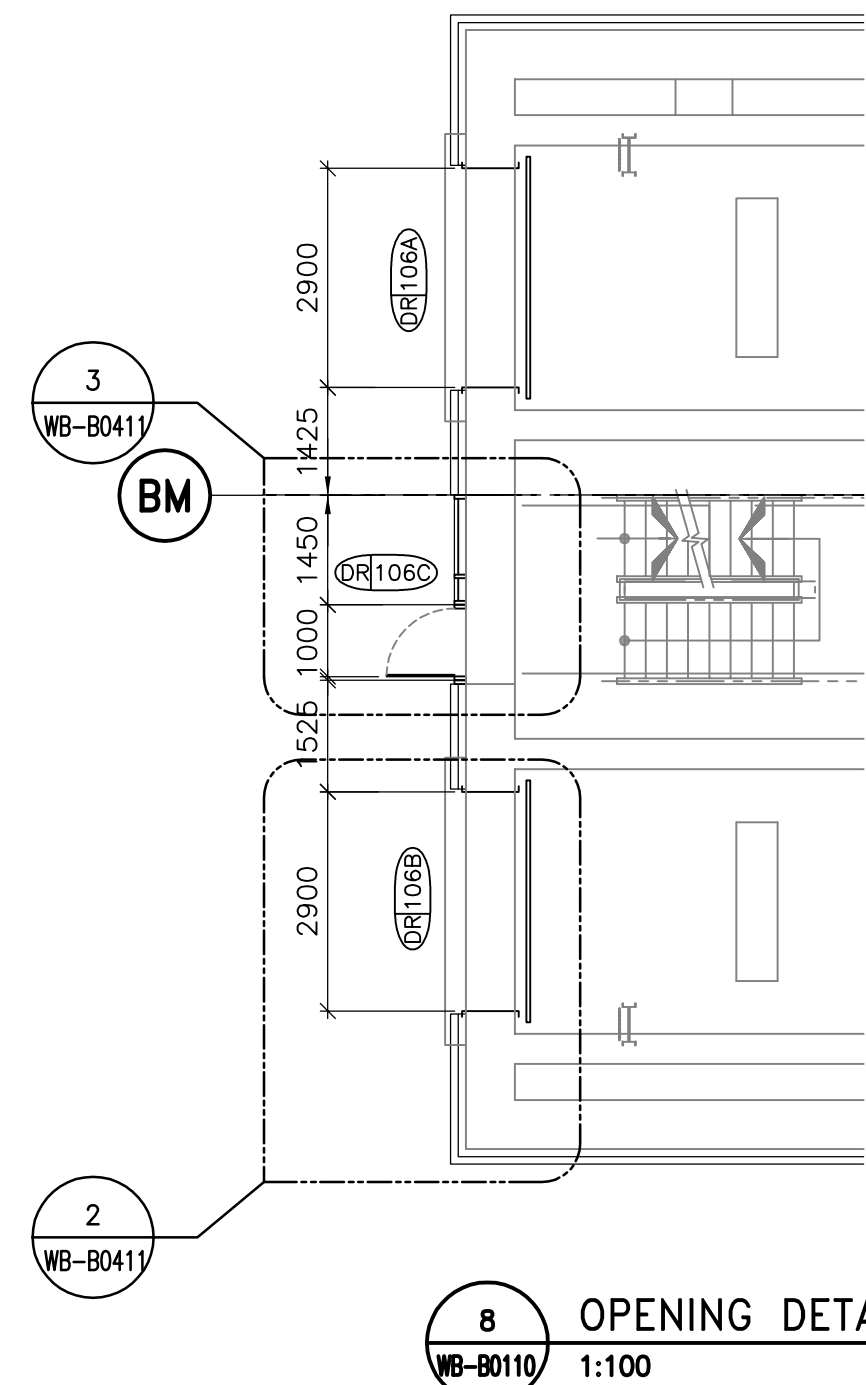
5 OPENING DETAIL
WB-B0110 1:100



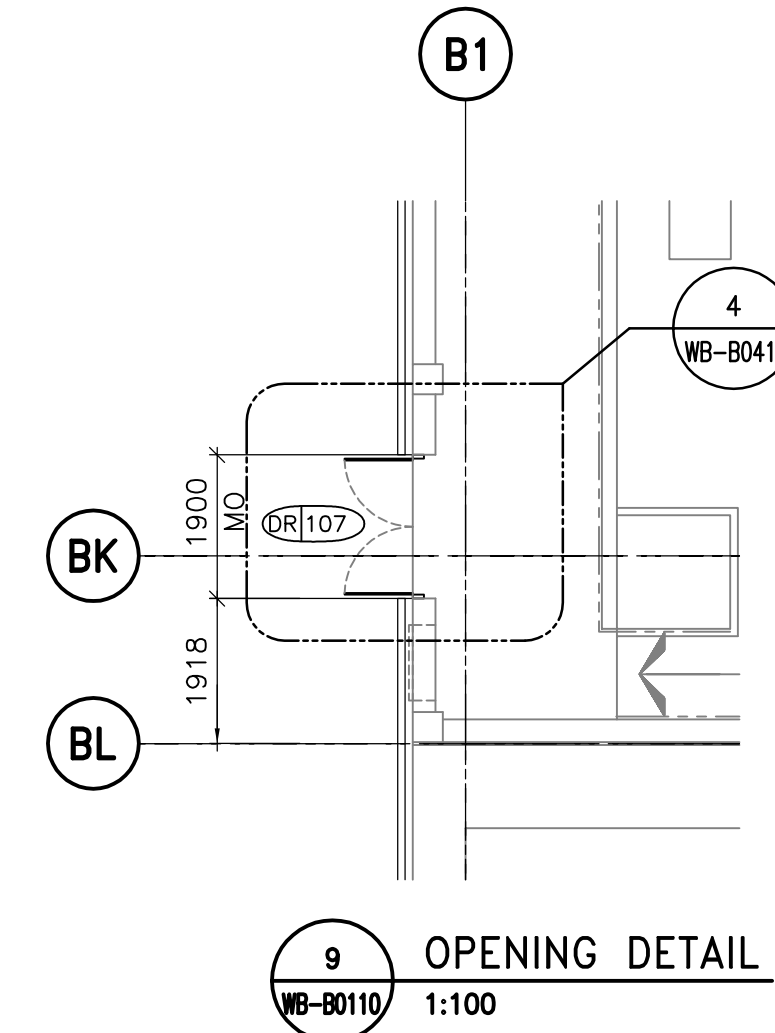
6 OPENING DETAIL
WB-B0110 1:100



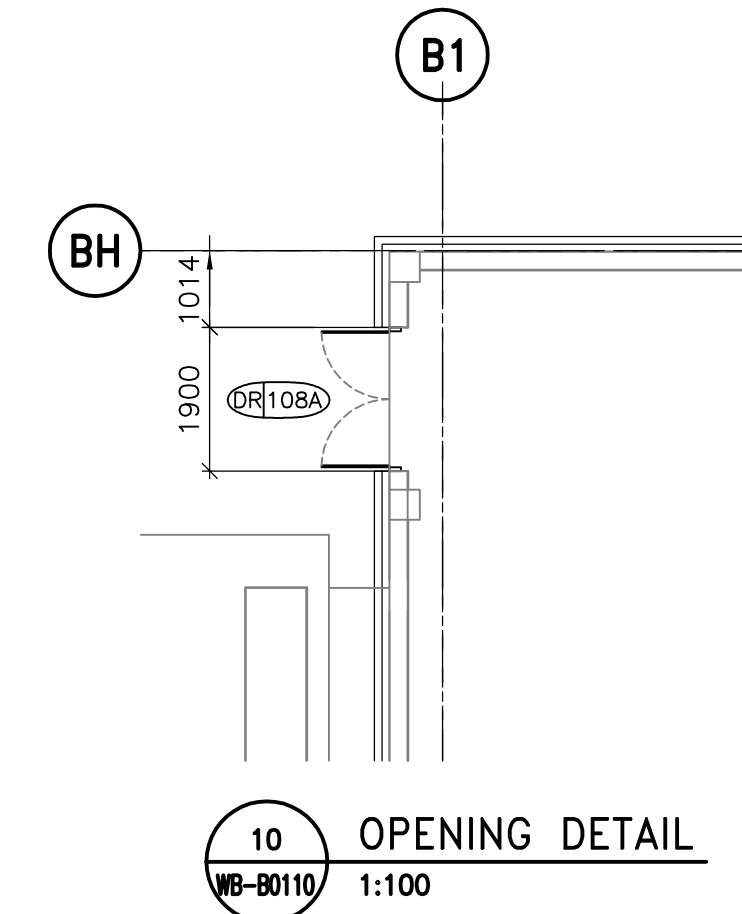
7 OPENING DETAIL
WB-B0110 1:100



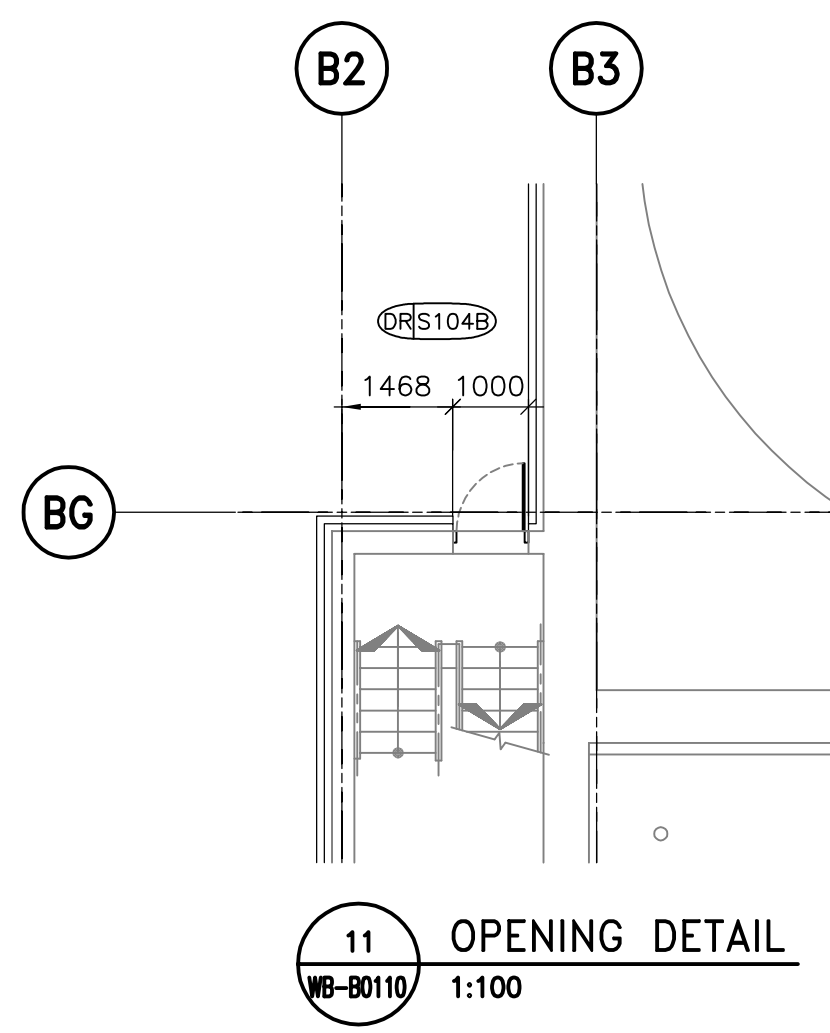
8 OPENING DETAIL
WB-B0110 1:100



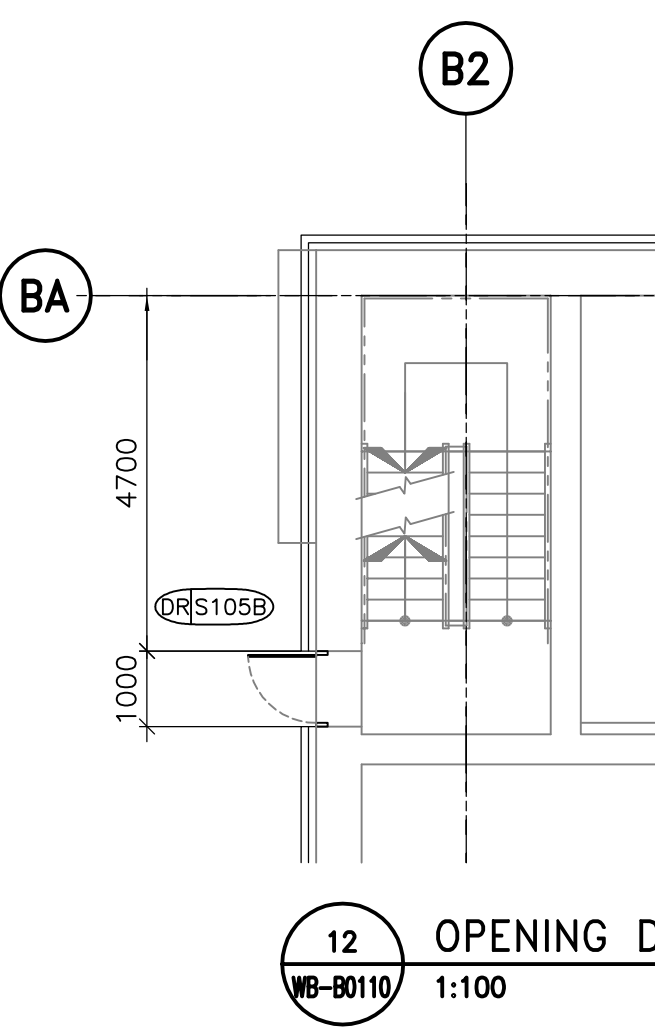
9 OPENING DETAIL
WB-B0110 1:100



10 OPENING DETAIL
WB-B0110 1:100



11 OPENING DETAIL
WB-B0110 1:100



12 OPENING DETAIL
WB-B0110 1:100

NOTE:
CONTRACTOR TO COORDINATE THE TIMING OF AND ENVELOPE TIE-INS OF ALL EXTERIOR WALL/ENVELOPE PENETRATIONS, INCLUDING BOTH THOSE ENSUING FROM THIS CONTRACT AND THOSE ENSUING FROM OTHER CONTRACTS, BETWEEN DISCIPLINES AND SUB-CONTRACTORS AND COORDINATE PROPER SEQUENCING OF INTALLATION TO ENSURE BUILDING ENVELOPE IS PROPERLY INSTALLED AND SEALED ACCORDING TO THE CONTRACT DOCUMENTS.

FIRST FLOOR ENLARGED PLANS
SCALE 1:100



B.M. ELEV.			
DESIGNED BY	TWS	CHECKED BY	BJS
DRAWN BY	AL/LK	APPROVED BY	AHL
SCALE:	AS NOTED	RELEASED FOR CONSTRUCTION BY:	R. SOROKOWSKI
00 ISSUED FOR TENDER	07/03/07	LK	
NO. REVISIONS	DATE	BY	DATE
	2005/08/03		2007/03/07



ENGINEER'S SEAL	
ORIGINAL SIGNED BY	NEIL COOPER
	2007/03/07
CONSULTANT DRAWING NO.	WB-B0410

THE CITY OF WINNIPEG
WATER AND WASTE DEPARTMENT
ENGINEERING DIVISION

WATER TREATMENT PLANT
MAIN BUILDING
BUILDING ENVELOPE

ARCHITECTURAL
FIRST FLOOR ENLARGED PLANS

CITY FILE NUMBER
SHEET OF
CITY DRAWING NUMBER
1-0601B-A-B0410-001-00D