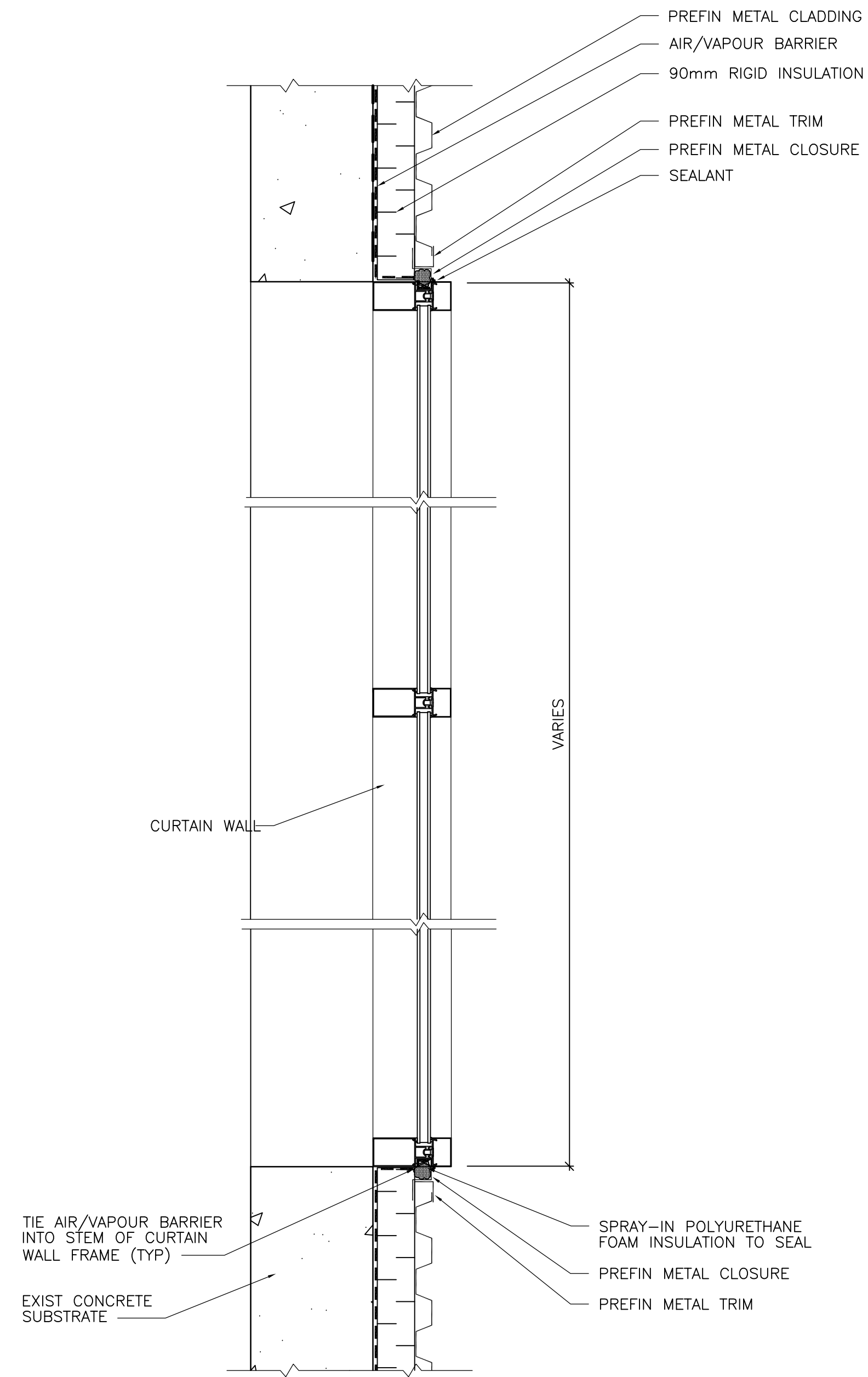
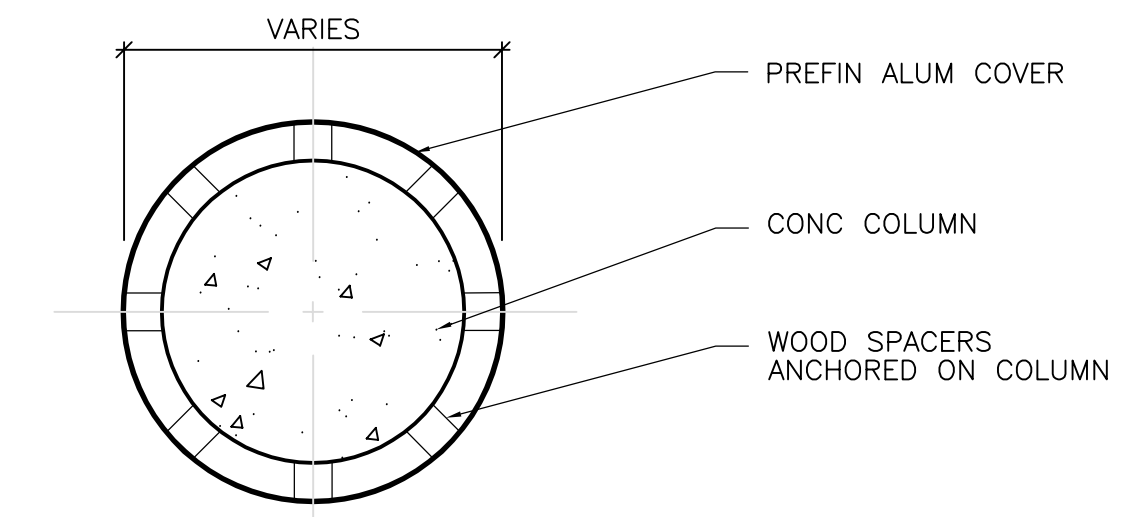


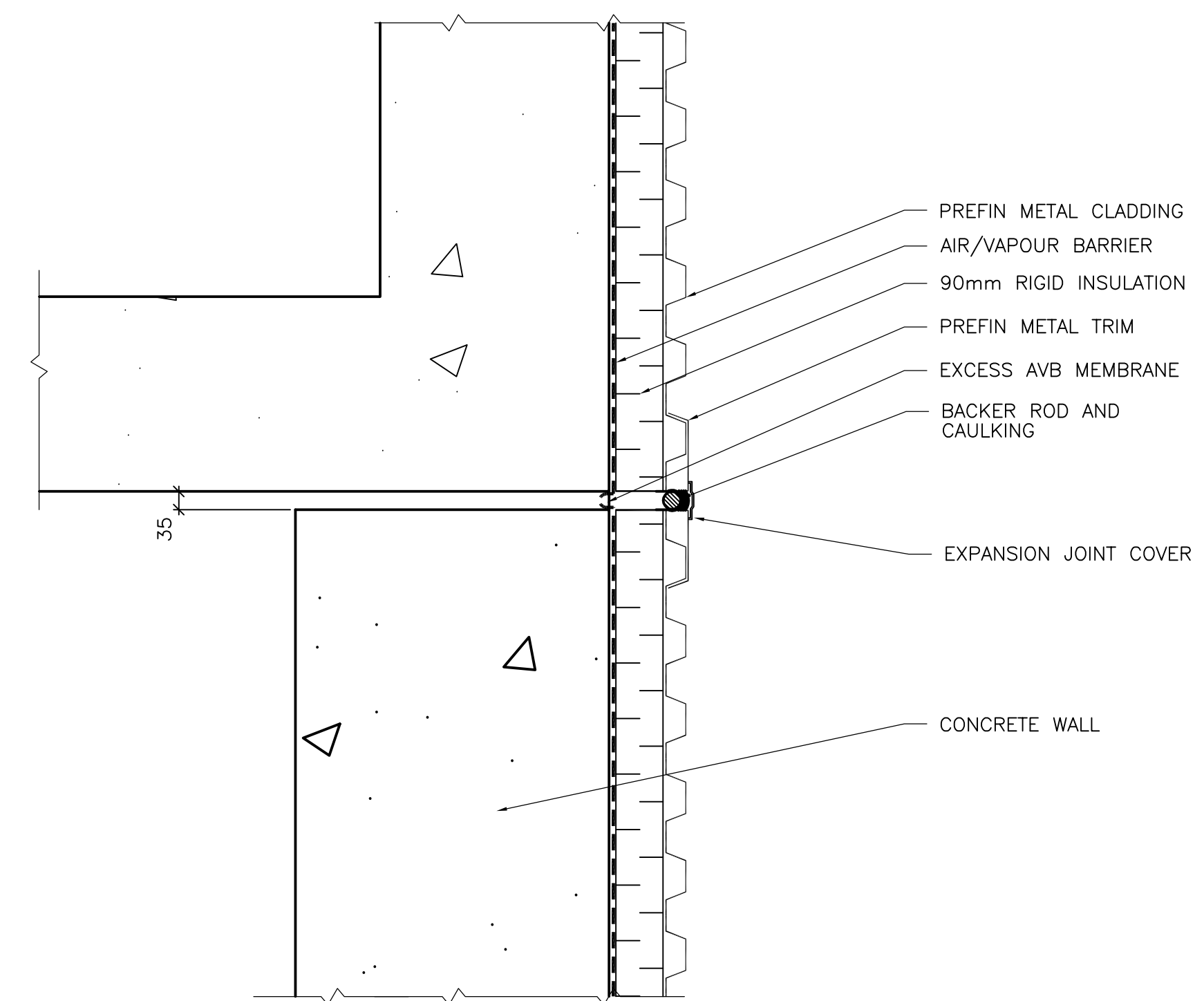
1 TYPICAL DETAIL @ LOUVER OPENINGS
WB-B0130 1:20



2 TYP DETAIL @ WINDOW/CURTAIN WALL OPENINGS
1:10



4 TYP DETAIL @ COLUMN COVER
WB-B0110 1:10



3 TYP DETAIL @ EXPANSION JOINTS
WB-B0410 1:10



B.M. ELEV.					
DESIGNED BY	TWS	CHECKED BY	BJS		
DRAWN BY	SH/MR/LK	APPROVED BY	AHL		
SCALE:	1:100	RELEASED FOR CONSTRUCTION BY:	R. SOROKOWSKI		
00 ISSUED FOR TENDER	07/03/19	LK			
NO. REVISIONS	DATE	BY	DATE	2005/08/03	DATE 2007/03/19

DESIGNED BY: TWS
 DRAWN BY: SH/MR/LK
 SCALE: 1:100

CHECKED BY: BJS
 APPROVED BY: AHL
 RELEASED FOR CONSTRUCTION BY: R. SOROKOWSKI

ENGINEER'S SEAL	
ORIGINAL SIGNED BY	NEIL COOPER
	2007/03/019
CONSULTANT DRAWING NO.	WB-B0431

THE CITY OF WINNIPEG
 WATER AND WASTE DEPARTMENT
 ENGINEERING DIVISION

WATER TREATMENT PLANT
 MAIN BUILDING
 BUILDING ENVELOPE

ARCHITECTURAL
 DETAIL OF DOOR AND WINDOW OPENINGS
 THIRD FLOOR PLAN

CITY FILE NUMBER	
SHEET	OF
CITY DRAWING NUMBER	1-0601B-A-B0431-001-00D