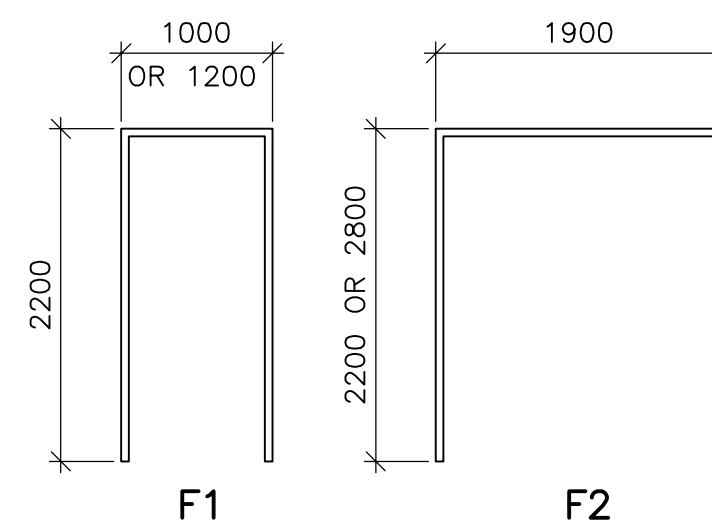
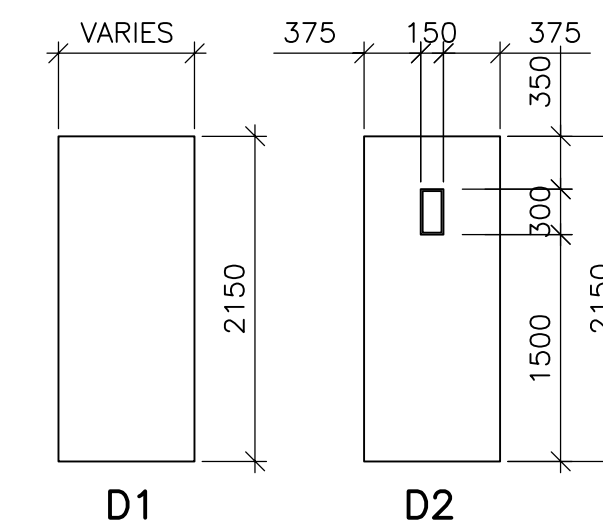


EXTERIOR DOOR SCHEDULE

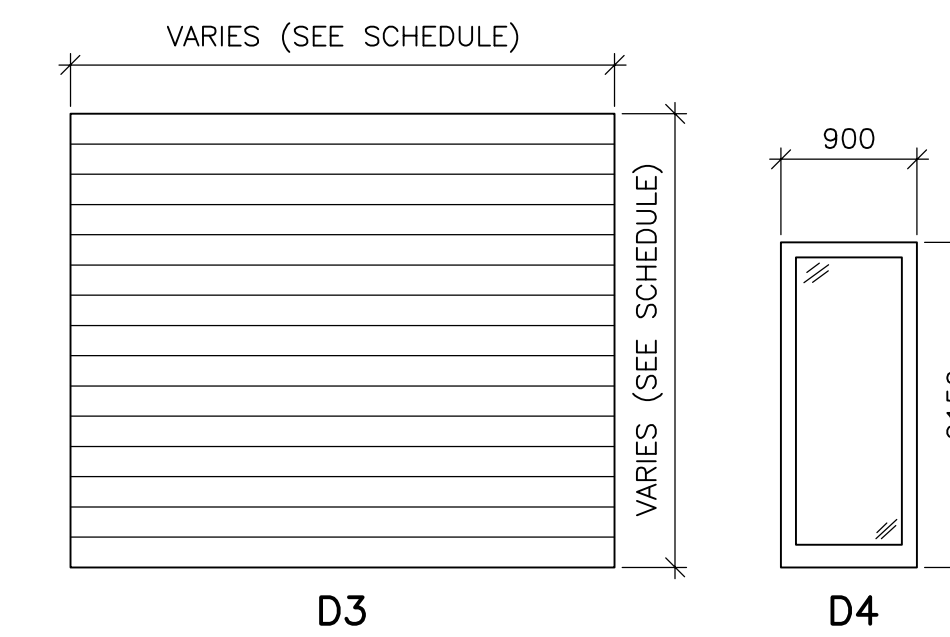
NO.	WIDTHxHEIGHTxTHICKNESS	DOOR				FRAME					RATING (HR)	REMARKS	HW SET	
		TYPE	MAT.	FINISH	GLASS	MAT.	FINISH	TYPE	JAMB	HEAD				
<b>MAIN BUILDING</b>														
<b>FIRST FLOOR</b>														
101A	2-900x2150x45	D4	ALUM	ANOD	-	ALUM	ANOD	-	-	-	-	LHR(ACTIVE)/RHR	EXT	1
106B	3000x4000	D3	-	PREFIN	-	STEEL	PNT	-	J2	H2	-	O/H COILING	EXT	-
106C	900x2150x45	D1	HM	PNT	-	HM	PNT	F1	J1	H1	-	LH	EXT	2
107	2-900x2150x45	D1	HM	PNT	-	HM	PNT	F2	J1	H1	-	LHR(ACTIVE)/RHR	EXT	1
108A	2-900x2150x45	D1	HM	PNT	-	HM	PNT	F2	J1	H1	-	LHR(ACTIVE)/RHR	EXT	1
115A	900x2150x45	D1	HM	PNT	-	HM	PNT	F1	J1	H1	-	LH	EXT	2
117A	2-900x2150x45	D1	HM	PNT	-	HM	PNT	F2	J1	H1	-	LHR(ACTIVE)/RHR	EXT	1
118A	2-900x2150x45	D1	HM	PNT	-	HM	PNT	F2	J1	H1	-	LHR(ACTIVE)/RHR	EXT	1
119C	900x2150x45	D2	HM	PNT	-	HM	PNT	F1	J1	H1	-	LH	EXT	2
119D	4200x4200	D3	-	PREFIN	-	STEEL	PNT	-	J2	H2	-	O/H COILING	EXT	-
128B	3600x3600	D3	-	PREFIN	-	STEEL	PNT	-	J2	H2	-	O/H COILING	EXT	-
128C	900x2150x45	D2	HM	PNT	-	HM	PNT	F1	J1	H1	-	RH	EXT	2
<b>SECOND FLOOR</b>														
202B	900x2150x45	D1	HM	PNT	-	HM	PNT	F1	J1	H1	-	LH	EXT	2
204B	900x2150x45	D2	HM	PNT	-	HM	PNT	F1	J1	H1	-	RH	EXT	2
204C	3000x3000	D3	-	PREFIN	-	STEEL	PNT	-	J2	H2	-	O/H COILING	EXT	-
<b>THIRD FLOOR</b>														
314	900x2150x45	D2	HM	PNT	-	HM	PNT	F1	J1	H1	-	LH	EXT	2
<b>MECHANICAL PENTHOUSE</b>														
401	900x2150x45	D1	HM	PNT	-	HM	PNT	F1	J1	H1	-	LH	EXT	2
<b>STAIRWELLS</b>														
<b>STAIRWELL No.1</b>														
S101B	900x2150x45	D4	HM	PNT	-	HM	PNT	F1	J1	H1	-	LH	EXT	2
<b>STAIRWELL No.2</b>														
S102B	900x2150x45	D1	HM	PNT	-	HM	PNT	F1	J1	H1	-	LH	EXT	2
<b>STAIRWELL No.3</b>														
S103A	900x2150x45	D4	ALUM	ANOD	-	ALUM	ANOD	-	-	-	-	LH	EXT	2
<b>STAIRWELL No.4</b>														
S104B	900x2150x45	D1	HM	PNT	-	HM	PNT	F1	J1	H1	-	RH	EXT	2
<b>STAIRWELL No.5</b>														
S105B	900x2150x45	D1	HM	PNT	-	HM	PNT	F1	J1	H1	-	RH	EXT	2
<b>STAIRWELL No.6</b>														
S106C	900x2150x45	D1	HM	PNT	-	HM	PNT	F1	J1	H1	-	RH	EXT	2
<b>STAIRWELL No.7</b>														
S107C	900x2150x45	D1	HM	PNT	-	HM	PNT	F1	J1	H1	-	LH	EXT	2



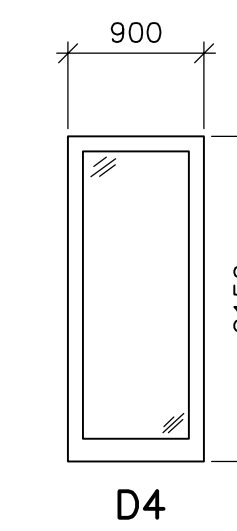
**FRAME TYPES**  
SCALE 1:50



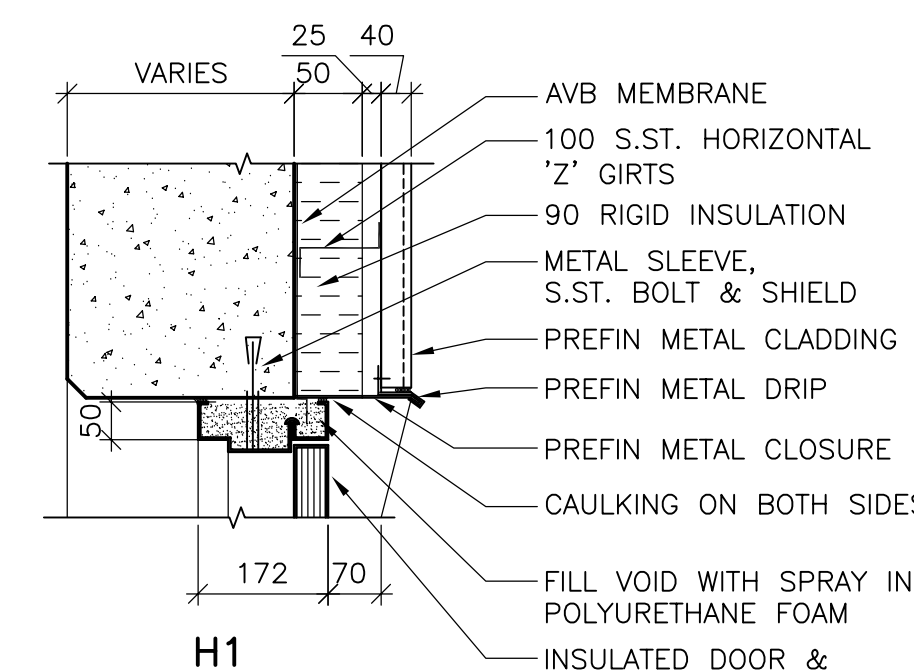
**DOOR TYPES**  
SCALE 1:50



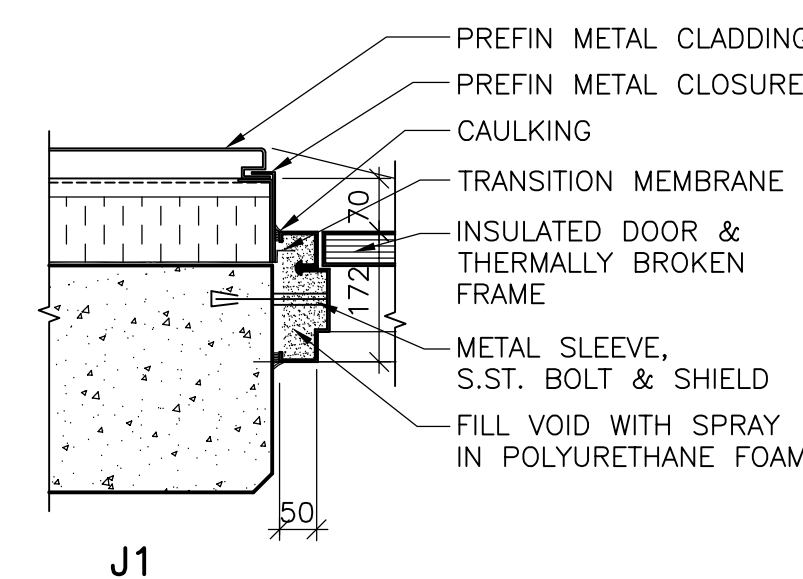
ALL COILING DOORS ARE ELECTRICALLY OPERATED



ALUMINUM ENTRANCE



**HEADER TYPES**  
SCALE 1:10



**JAMB TYPES**  
SCALE 1:10

**HARDWARE SCHEDULE**

<b>Group 1</b>			
6 Hinges	TA386 113 x 100mm NRP	32D	McKinney
1 Lockset	11G15-3 x LL	26DCPC	Sargent
2 Flushbolts	GSH 401	26D	GSH
1 Closer	P7500	SS	Norton
2 Concealed O/H Stops	6-346	32D	Rixson
2 Kickplates	GSH 80A 250 x 863mm	32D	GSH
1 Astragal	351CP 2100mm	CP	Pemko
1 Weather Strip	297SNS 1/3 x 2/7		Pemko
2 Sweeps	345ANB 900mm	ANB	Pemko
1 Threshold	172AK 1800mm	Pemkote	Pemko
<b>Group 2</b>			
3 Hinges	TA386 113 x 100mm NRP	32D	McKinney
1 Exit Device-Exit Only	7150	32D	Yale
1 Closer	P7500	SS	Norton
1 Concealed O/H Stop	6-346	32D	Rixson
1 Kickplate	GSH 80A 250 x 863mm	32D	GSH
1 Weather Strip	297SNS 1/3 x 2/7		Pemko
1 Sweep	345ANB 900mm	ANB	Pemko
1 Threshold	172AK 900mm	Pemkote	Pemko
<b>Group 3</b>			
3 Hinges	TA386 113 x 100mm NRP	32D	McKinney
1 Electric Strike	7400 -24 x 783S	630	HES
1 Exit Device-Exit Only	7100	32D	Yale
1 Exit Device Trim	634F	32D	Yale
1 Prox Reader/ Keypad	4293 x Antenna Backplate c/w 8' Alpha 1174C Antenna Cable x SoftLink Plus Software		Sargent
20 KeyTags	ProxKey		Sargent
1 Power Supply	3520 x 738		Sargent
1 Closer	P7500	SS	Norton
1 Concealed O/H Stop	6-346	32D	Rixson
1 Kickplate	GSH 80A 250 x 863mm	32DG	SH
1 Weather Strip	297SNS 1/3 x 2/7		Pemko
1 Sweep	345ANB 900mm		Pemko
1 Threshold	172AK 900mm	Pemkote	Pemko



NO.	ISSUED FOR TENDER	DATE	BY
00	ISSUED FOR TENDER	07/03/19	LK
	REVISIONS	DATE	BY

DESIGNED BY	TWS	CHECKED BY	BJS
DRAWN BY	REH/LK	APPROVED BY	AHL
SCALE:	AS NOTED	RELEASED FOR CONSTRUCTION BY:	R. SOROKOWSKI
DATE	2005/08/03	DATE	2007/03/19

ENGINEER'S SEAL	ORIGINAL SIGNED BY	NEIL COOPER
		2007/03/19
CONSULTANT DRAWING NO.	WB-B0503	

**THE CITY OF WINNIPEG**  
WATER AND WASTE DEPARTMENT  
ENGINEERING DIVISION

WATER TREATMENT PLANT  
MAIN BUILDING  
BUILDING ENVELOPE

ARCHITECTURAL  
DOOR SCHEDULE  
HEAD & JAMB DETAILS

CITY FILE NUMBER  
SHEET OF  
CITY DRAWING NUMBER  
1-060B-A-B0503-001-00D