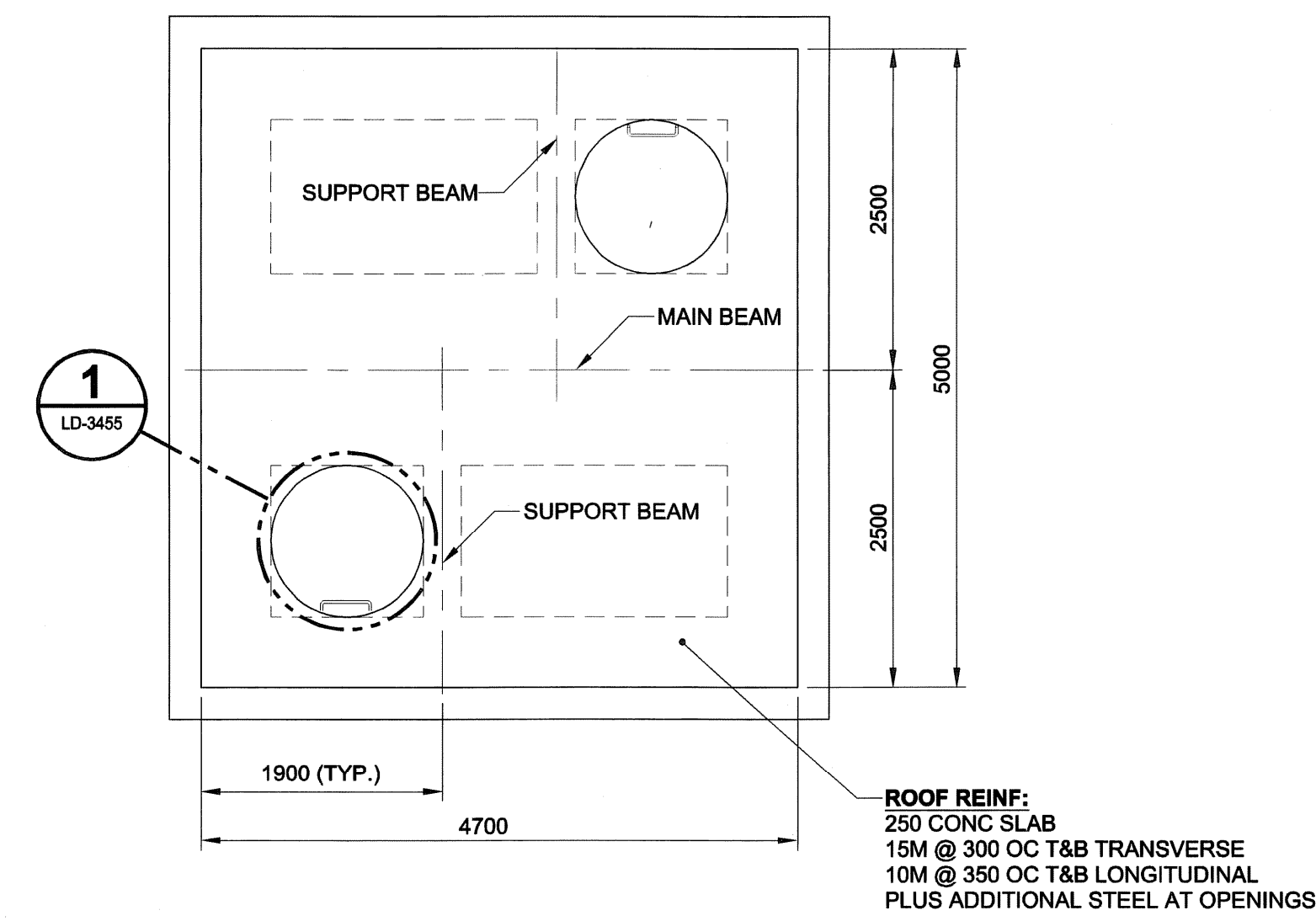
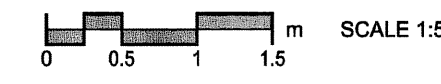
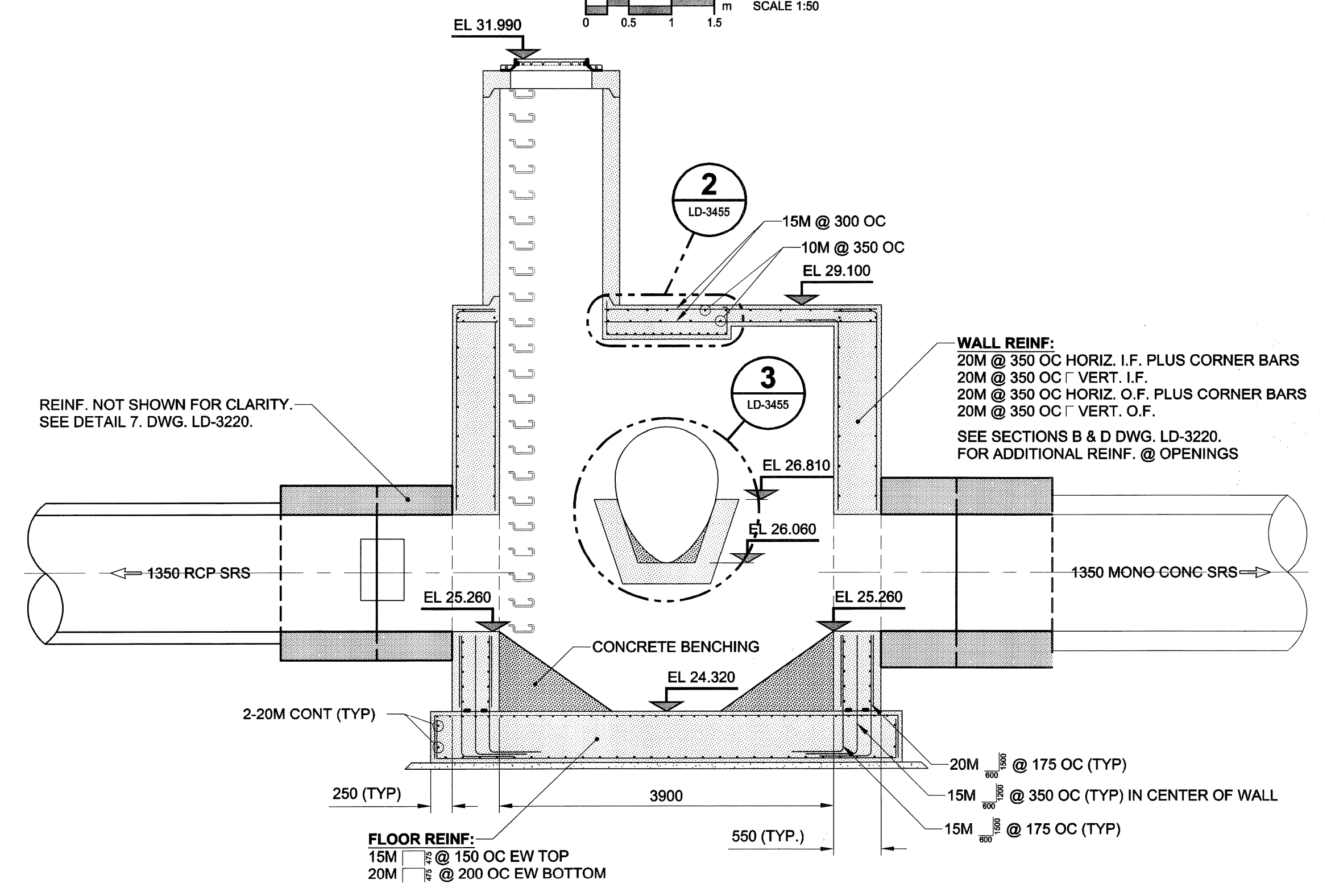
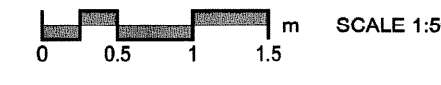


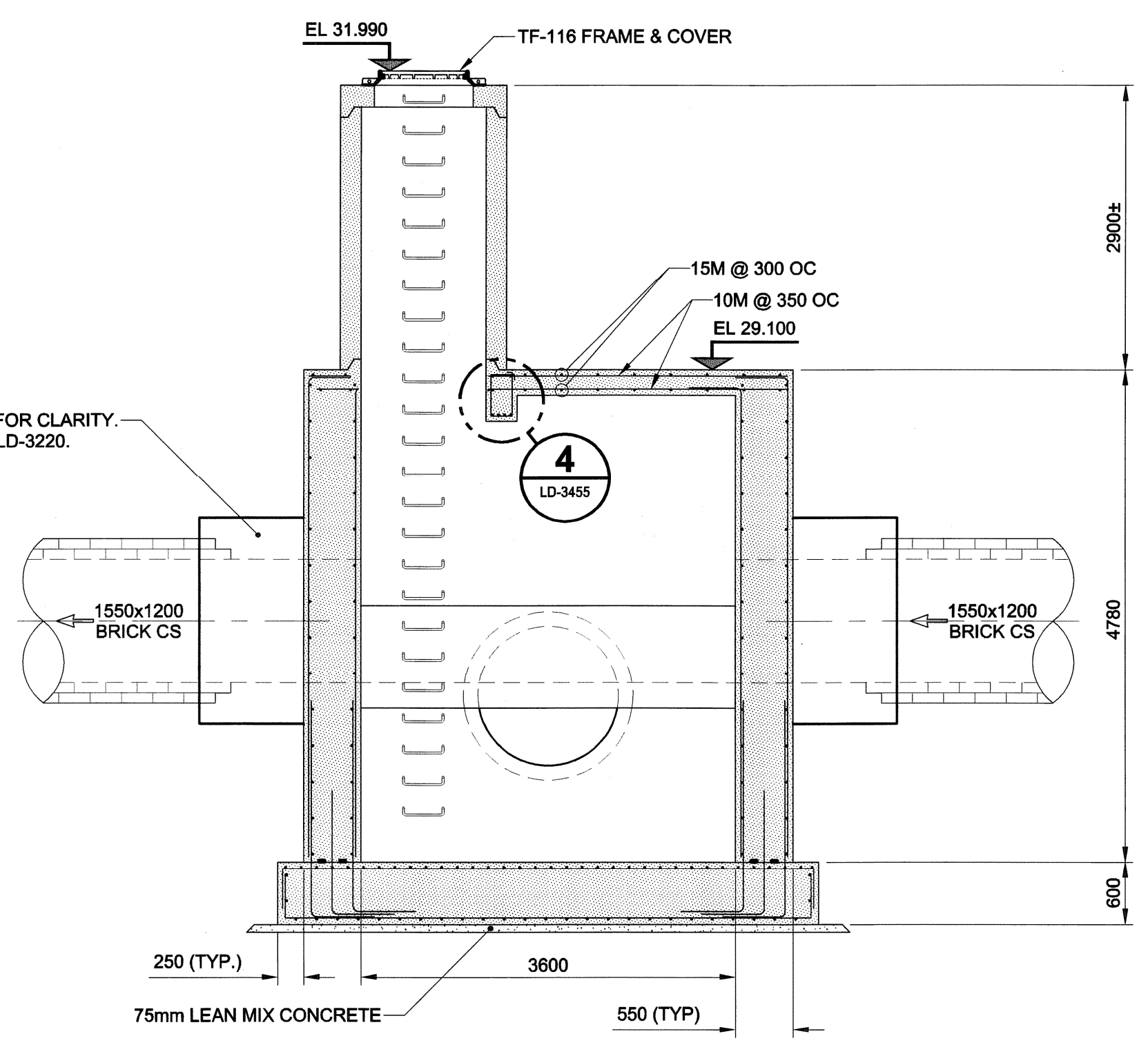
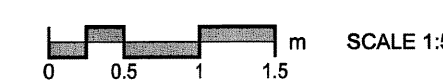
**PLAN VIEW**



**ROOF PLAN**



**SECTION A**



**SECTION B**



REINF. NOT SHOWN FOR CLARITY. SEE DETAIL 6. DWG. LD-3220.

REINF. NOT SHOWN FOR CLARITY. SEE DETAIL 7. DWG. LD-3220.

**WALL REINF:**  
 20M @ 350 OC HORIZ. I.F. PLUS CORNER BARS  
 20M @ 350 OC VERT. I.F.  
 20M @ 350 OC HORIZ. O.F. PLUS CORNER BARS  
 20M @ 350 OC VERT. O.F.  
 SEE SECTIONS B & D DWG. LD-3220.  
 FOR ADDITIONAL REINF. @ OPENINGS

**METRIC**  
 WHOLE NUMBERS INDICATE MILLIMETRES  
 DECIMALIZED NUMBERS INDICATE METRES

**APGM**  
 Certificate of Authorization  
 UMA Engineering Ltd.  
 No. 256 Expiry: April 30, 2007

BID OPPORTUNITY NO. 809-2006

**LOCATION APPROVED**  
 UNDERGROUND STRUCTURES

SUPR. U/G STRUCTURES DATE COMMITTEE

**NOTE:**  
 LOCATION OF UNDERGROUND STRUCTURES AS SHOWN ARE BASED ON THE BEST INFORMATION AVAILABLE. BUT NO GUARANTEE IS GIVEN THAT ALL EXISTING UTILITIES ARE SHOWN OR THAT THE GIVEN LOCATIONS ARE EXACT. CONFIRMATION OF EXISTENCE AND EXACT LOCATION OF ALL SERVICES MUST BE OBTAINED FROM THE INDIVIDUAL UTILITIES BEFORE PROCEEDING WITH CONSTRUCTION.

| NO. | ISSUED FOR CONSTRUCTION | REVISIONS | DATE | BY  |
|-----|-------------------------|-----------|------|-----|
| 0   | ISSUED FOR CONSTRUCTION |           |      | KMB |
|     |                         |           |      |     |
|     |                         |           |      |     |

| DESIGNED BY |  | CHECKED BY  |  |
|-------------|--|-------------|--|
| GEB         |  |             |  |
| DRAWN BY    |  | APPROVED BY |  |
| KMB         |  |             |  |
| HOR. SCALE  |  | VERT. SCALE |  |
| AS NOTED    |  | N/A         |  |
| DATE        |  | DATE        |  |
| 07/01/10    |  | 07/01/10    |  |

PROFESSIONAL'S SEAL  
 PROVINCE OF MANITOBA  
 REGISTERED PROFESSIONAL ENGINEER  
 S.B. BISWANGER  
 07/01/10  
 CONSULTANT DRAWING NO. 04  
 D265-177-03

**THE CITY OF WINNIPEG**  
 WATER AND WASTE DEPARTMENT

**ALEXANDER/BANNATYNE**  
 COMBINED SEWER RELIEF  
 CONTRACT 3A  
 OVERFLOW STRUCTURE  
 STRUCTURAL PLANS & SECTIONS

SHEET 4 OF 6  
 CITY DRAWING NUMBER  
**LD-3454**  
 REV 0