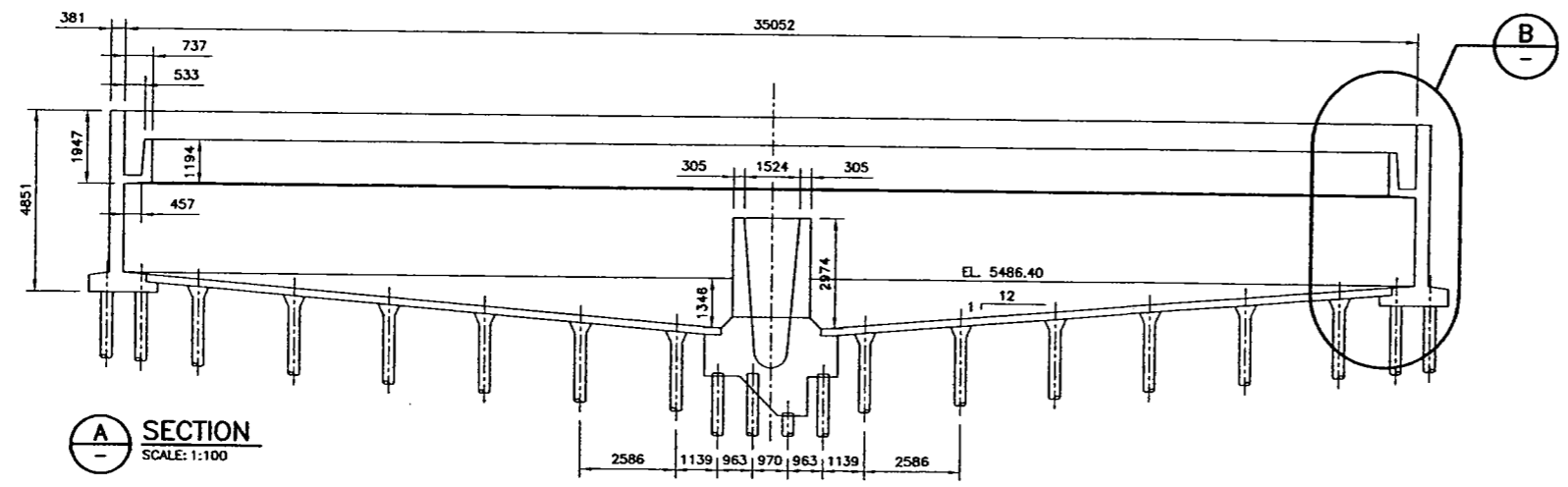


B DETAIL
SCALE: 1:50

PLAN
SCALE: 1:100



A SECTION
SCALE: 1:100

NO.	D / M / Y	DESCRIPTION	BY
REVISIONS / ISSUE			
A		A. SECTION LETTER OR DETAIL NUMBER	A
B		B. DRAWING WHERE SECTION OR DETAIL IS DRAWN	-
		OR	
		DRAWING WHERE SECTION OR DETAIL WAS INDICATED	
		- SECTION OR DETAIL SHOWN ON SAME DRAWING	
KGS CONSULTING ENGINEERS & PROJECT MANAGERS GROUP			
WINNIPEG (204) 896-1208 TRANSDER BAY (807) 345-2233			
THE CITY OF WINNIPEG WATER & WASTE DEPARTMENT			
PROJECT: NORTH END WATER POLLUTION CONTROL CENTRE			
DRG. DESCRIPTION: PRIMARY CLARIFIER No. 1 & 2 PLAN & SECTION			
ENG. STAMP	DESIGNED BY: R.J.L.	DRAWN BY: J.G.	
	CHECKED BY: R.J.L.	CHECKED:	
APPROVED:			
SCALE: AS NOTED	DATE: AUGUST 2006		
KGS DRG. NO.	06-107-03		SK-1
CLIENT DRG. NO.			REV: A