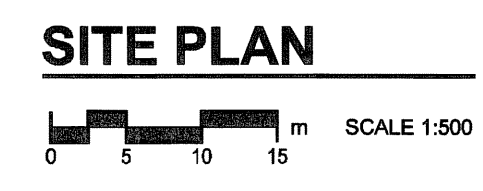
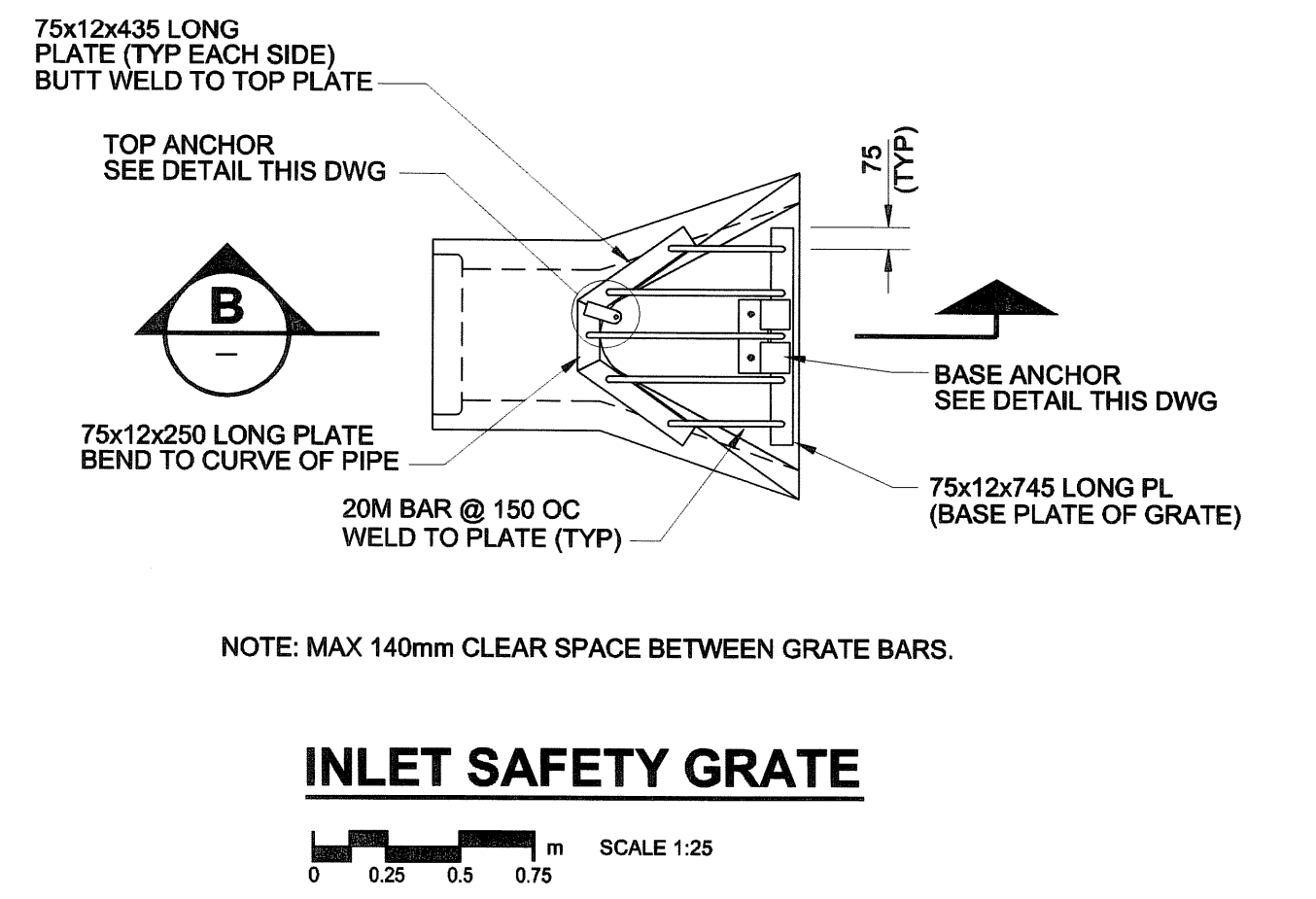
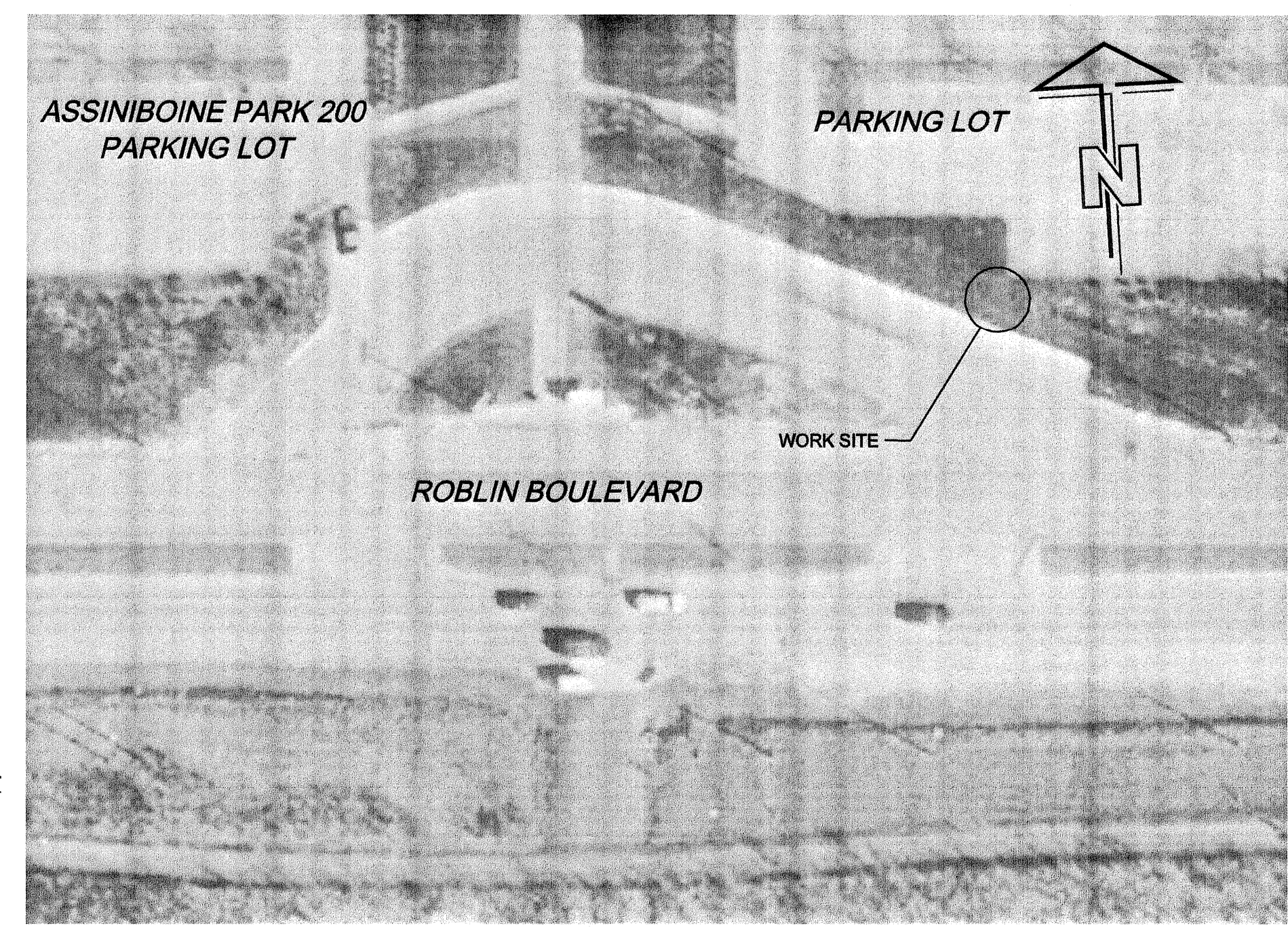
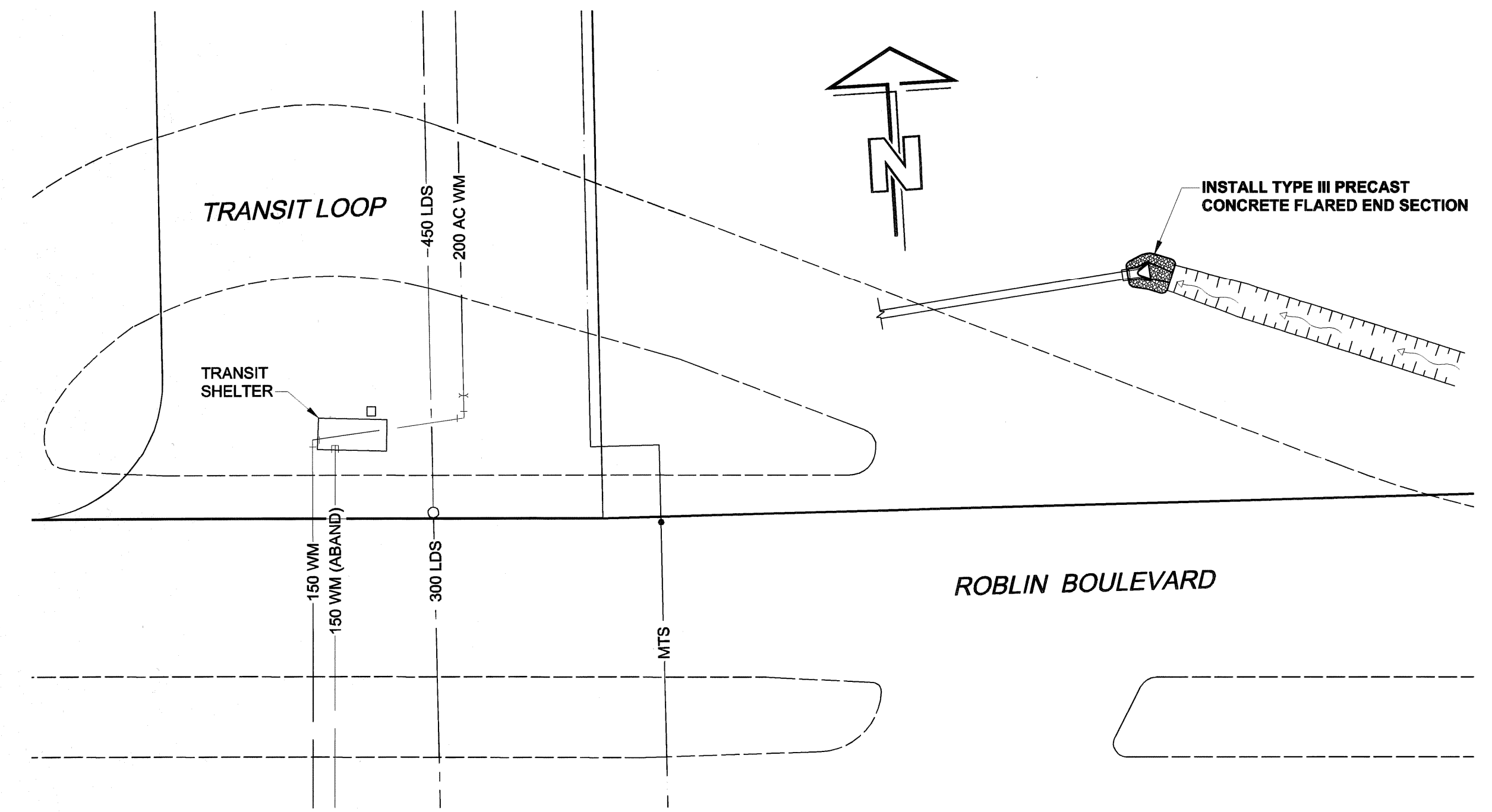
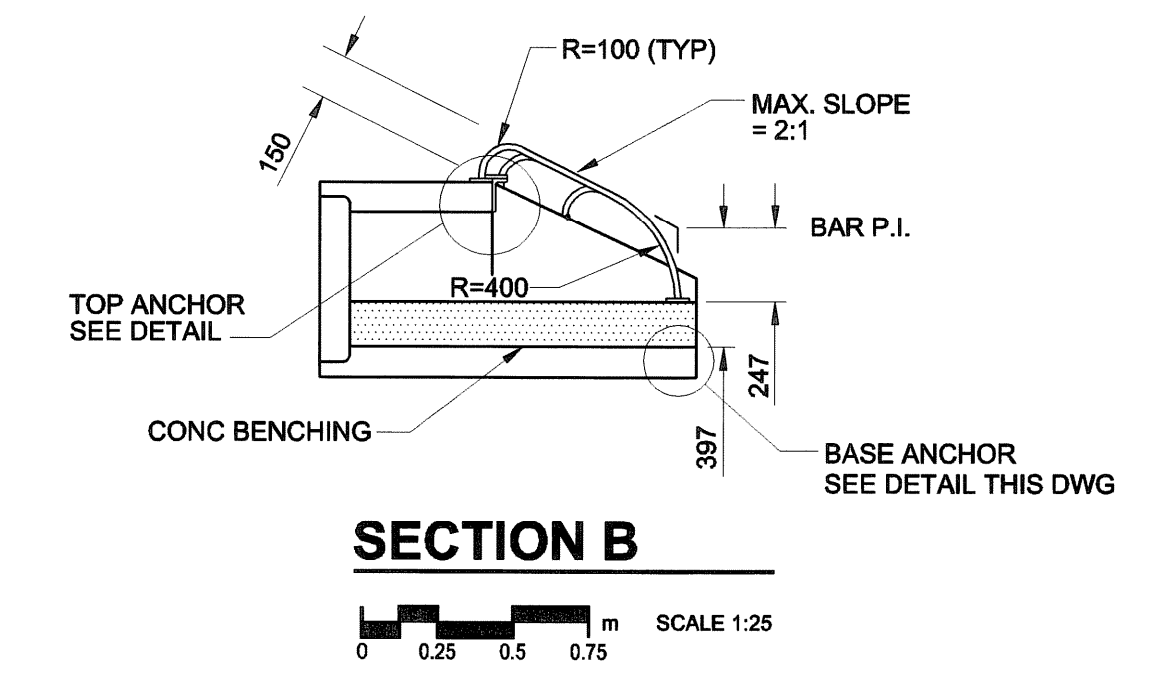
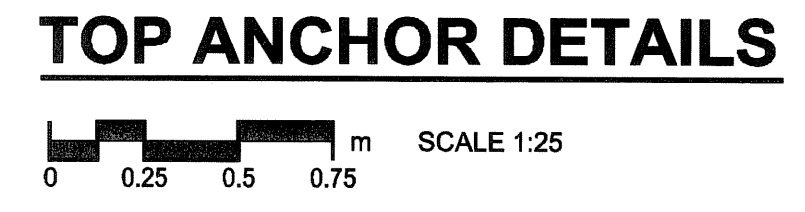
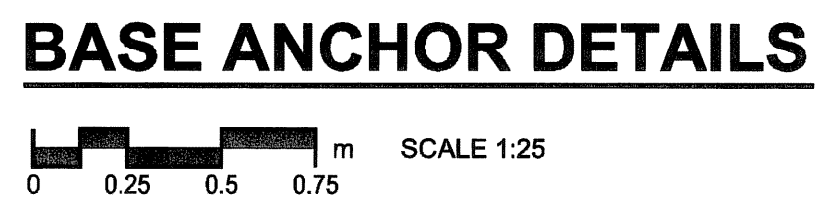
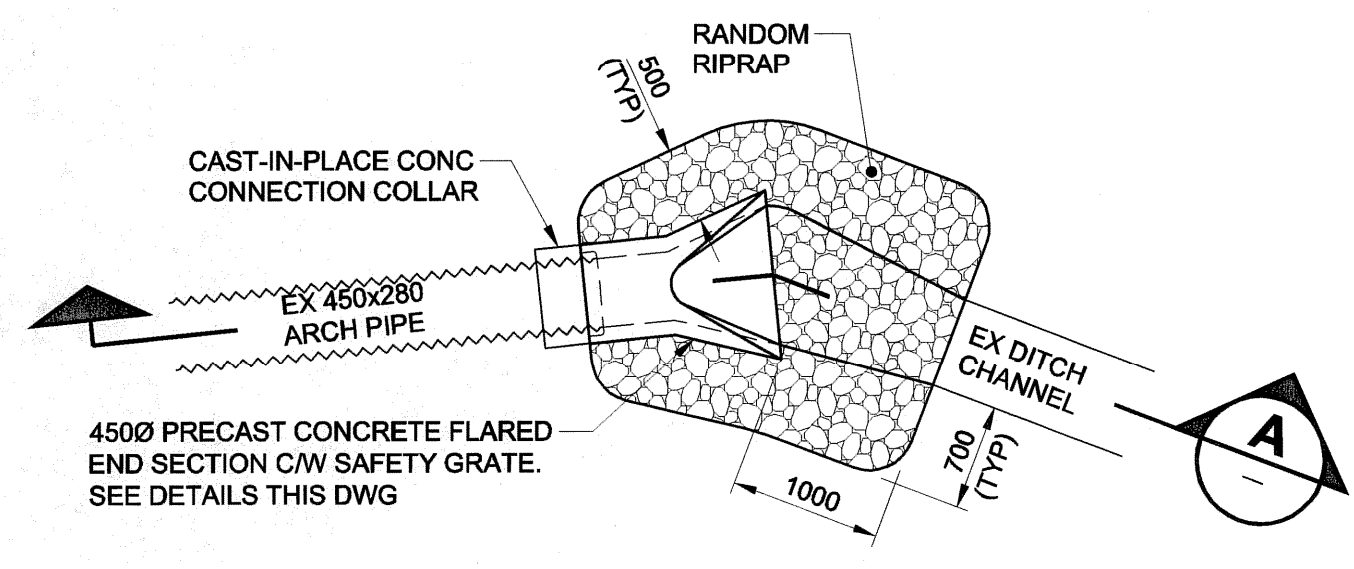
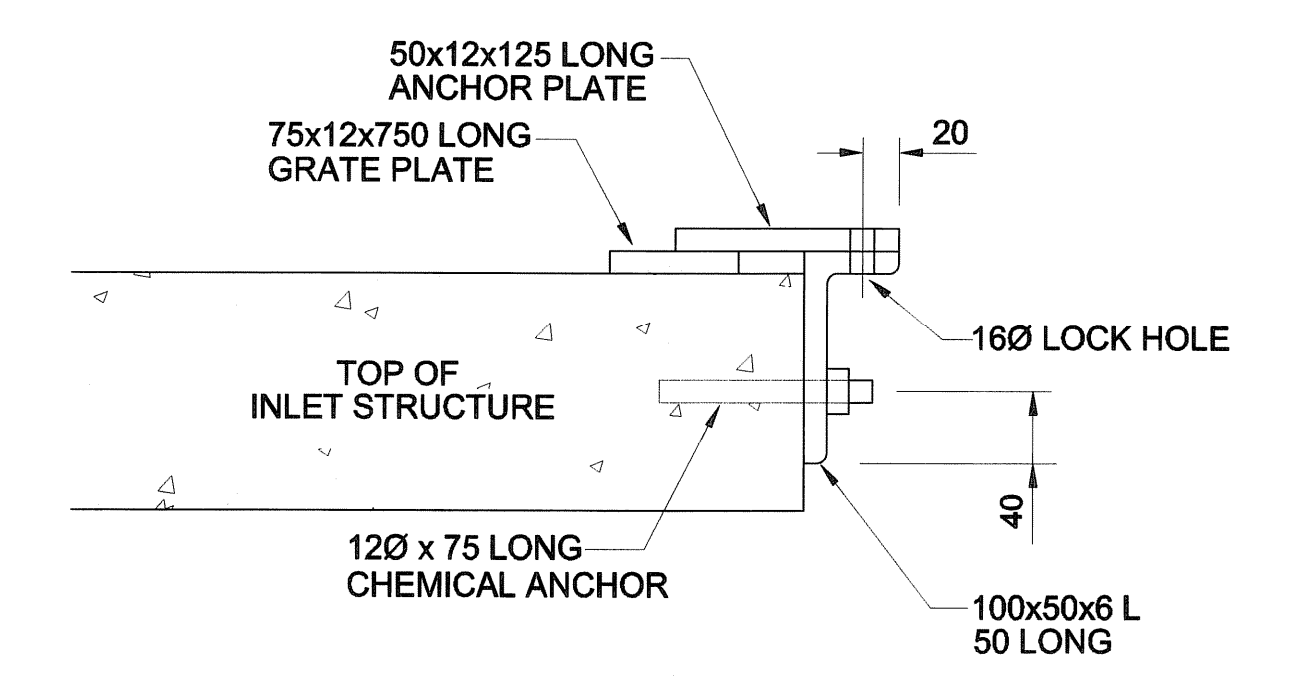
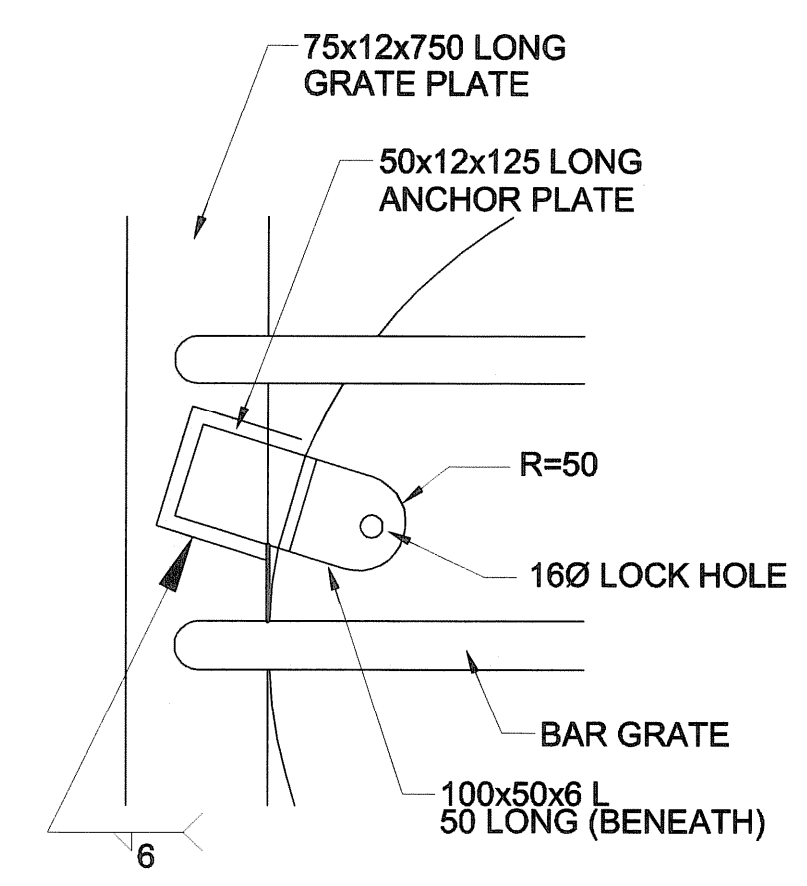
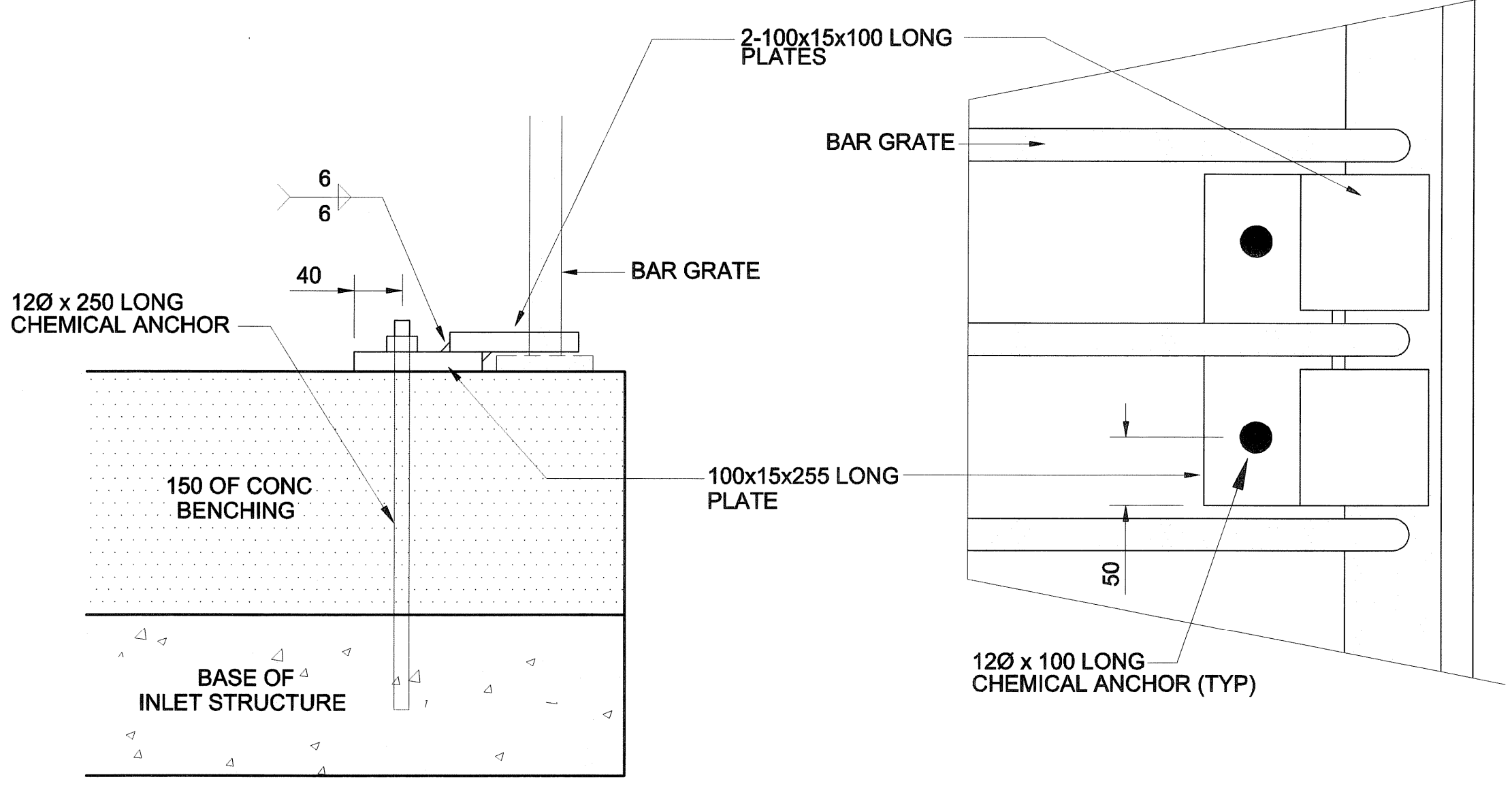
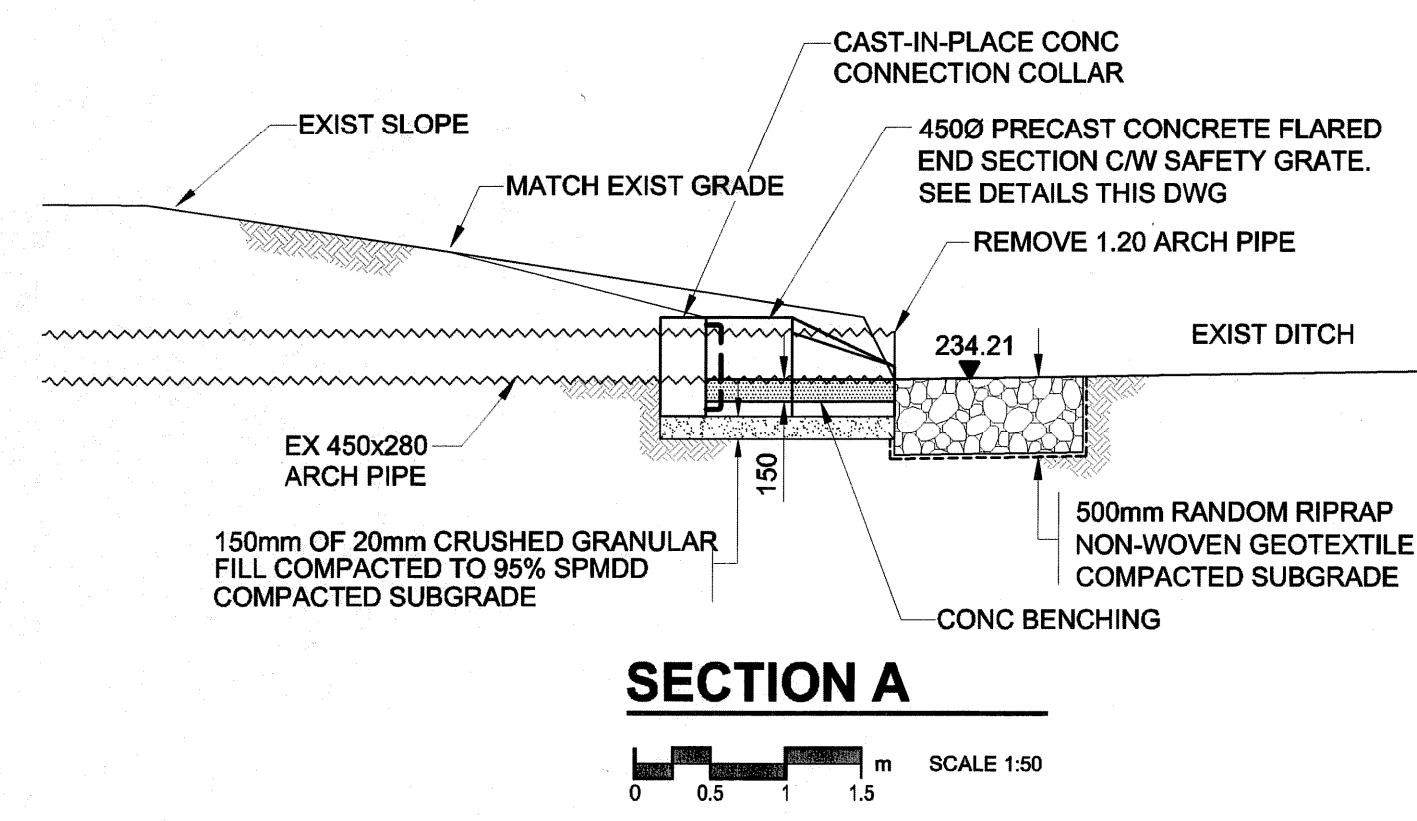


D SIZE 22" x 34" (599mm x 864mm)

PLOT_06/03/17 10:45:46 AM

UMA FILE NAME: D265-204-00-C-0003_RX.dwg Saved By: ltkerard



LOCATION APPROVED UNDERGROUND STRUCTURES

SUPR. U/G STRUCTURES	DATE
COMMITTEE	

NOTE:
LOCATION OF UNDERGROUND STRUCTURES AS SHOWN ARE BASED ON THE BEST INFORMATION AVAILABLE. BUT NO GUARANTEE IS GIVEN THAT ALL EXISTING UTILITIES ARE SHOWN OR THAT THE GIVEN LOCATIONS ARE EXACT. CONFIRMATION OF EXISTENCE AND EXACT LOCATION OF ALL SERVICES MUST BE OBTAINED FROM THE INDIVIDUAL UTILITIES BEFORE PROCEEDING WITH CONSTRUCTION.

DESIGNED BY	MAG	CHECKED BY	[Signature]
DRAWN BY	KMB	APPROVED BY	[Signature]
HOR. SCALE	AS NOTED	RELEASED FOR CONSTRUCTION	[Signature]
VERT. SCALE	AS NOTED	DATE	06/03/20
DATE	06/03/17	DATE	06/03/20

UMA | AECOM

© 2006 UMA ENGINEERING LTD. ALL RIGHTS RESERVED.

DESIGNED BY	MAG	CHECKED BY	[Signature]
DRAWN BY	KMB	APPROVED BY	[Signature]
HOR. SCALE	AS NOTED	RELEASED FOR CONSTRUCTION	[Signature]
VERT. SCALE	AS NOTED	DATE	06/03/20
DATE	06/03/17	DATE	06/03/20

PEGM
Certificate of Authorization
UMA Engineering Ltd.
No. 256 Expiry: April 30, 2006

PROFESSIONAL'S SEAL
W. T. JACKSON
Member
20782
1703/06
REGISTERED PROFESSIONAL ENGINEER

CONSULTANT DRAWING NO. 03
D265-204-00

THE CITY OF WINNIPEG
Winnipeg
WATER AND WASTE DEPARTMENT

CULVERT AND DRAINAGE INLET PROTECTION
VARIOUS LOCATIONS

ROBLIN BOULEVARD - TYPE III RETROFIT
BETWEEN CHALFONT ROAD AND SHAFTSBURY BOULEVARD
PLAN & SECTIONS

SHEET 3 OF 6
CITY DRAWING NUMBER
LD-3319 REV 0

BID OPPORTUNITY NO. 83-2006