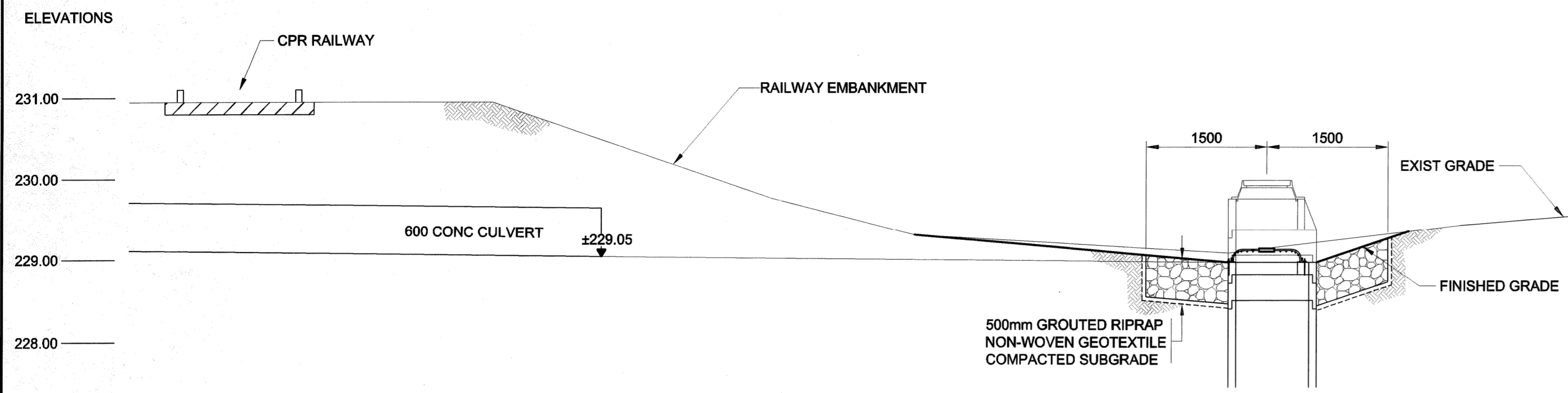
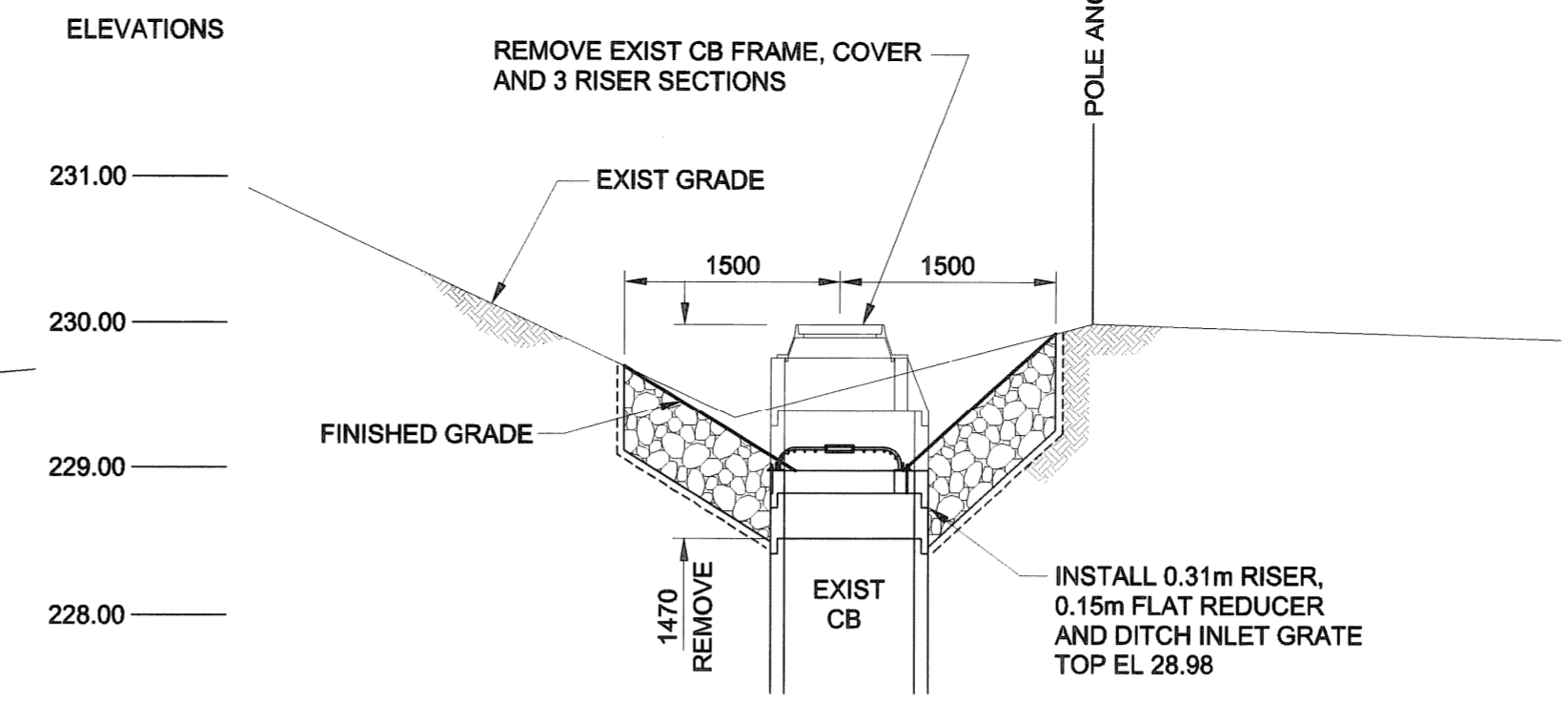


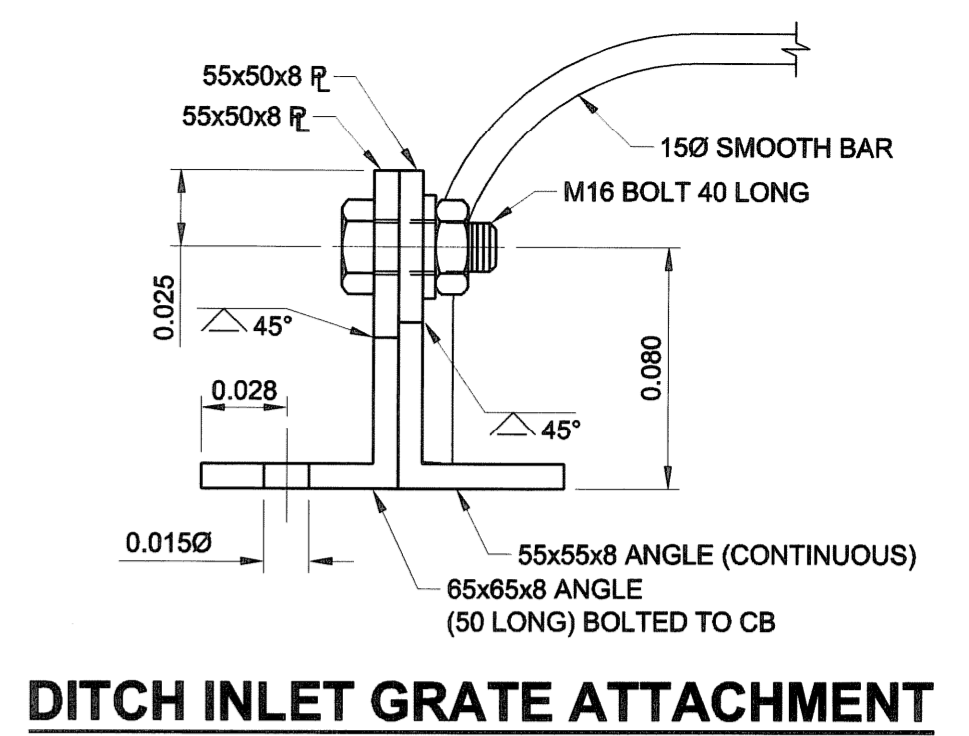
D SIZE 22" x 34" (559mm x 864mm)
 PLOT: 06/03/17 10:39:58 AM
 UMA FILE NAME: D265-204-00_00-C-0007_RX.dwg Saved By: kberard



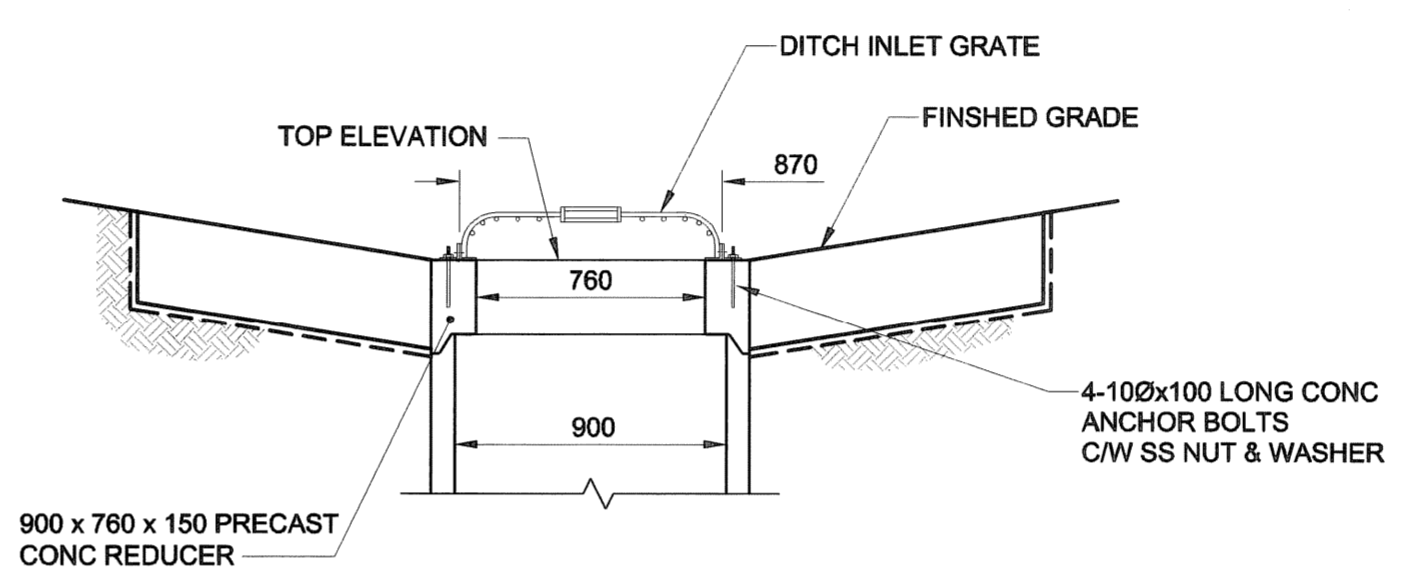
SECTION A
SCALE 1:50



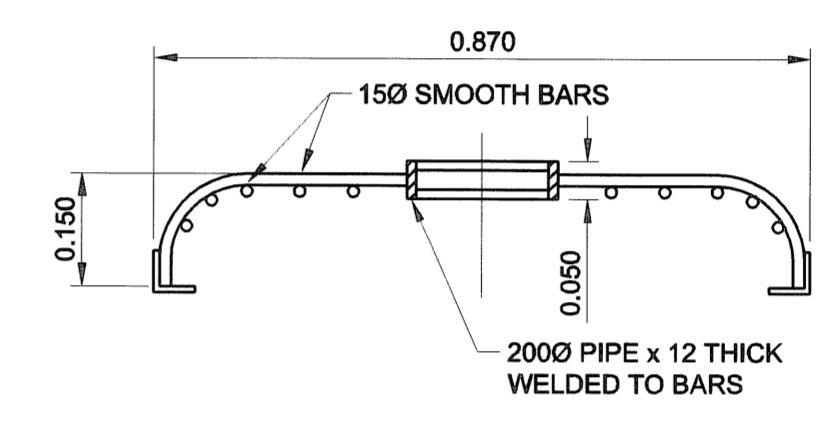
SECTION B
SCALE 1:50



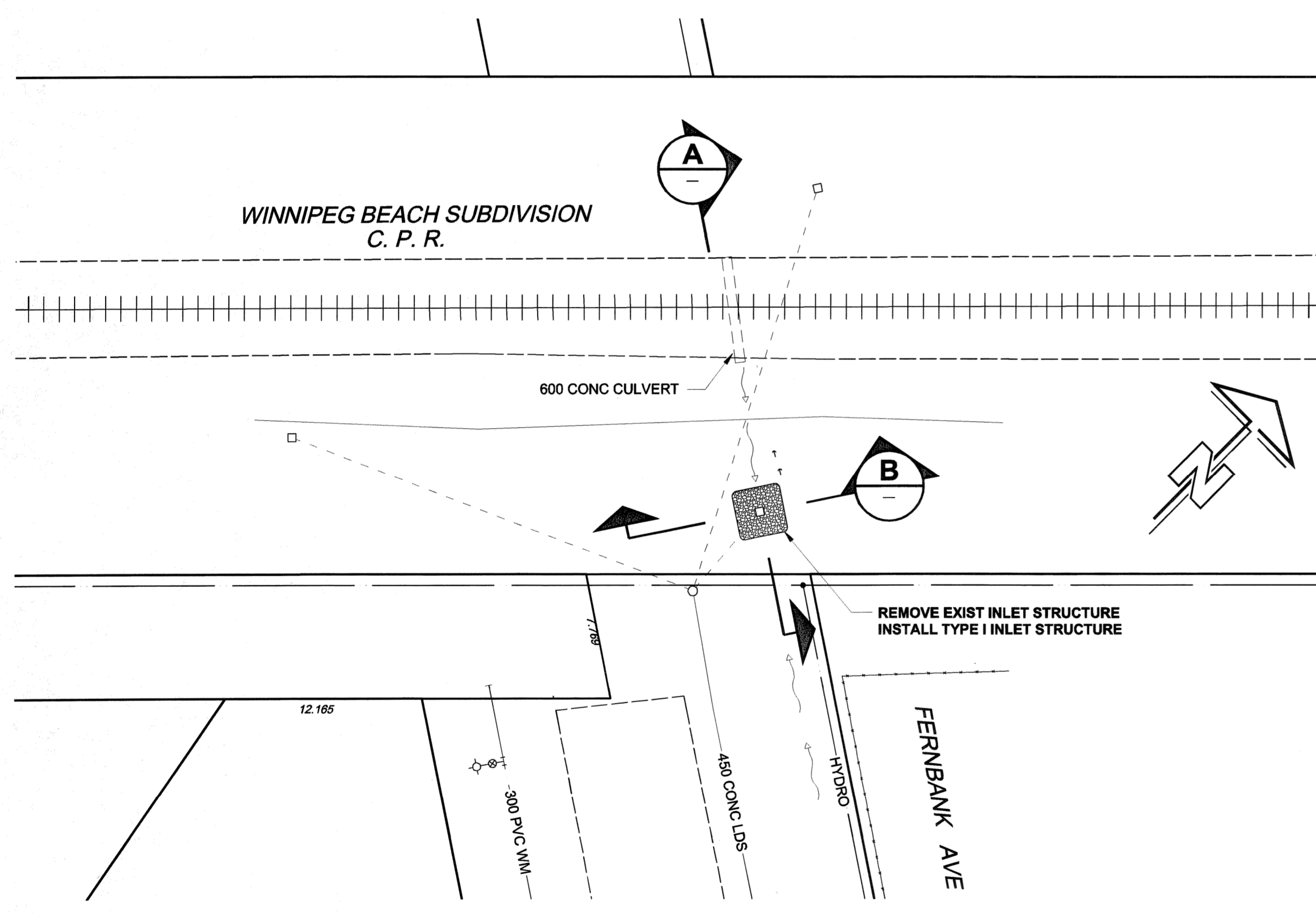
DITCH INLET GRATE ATTACHMENT
SCALE 1:2.5



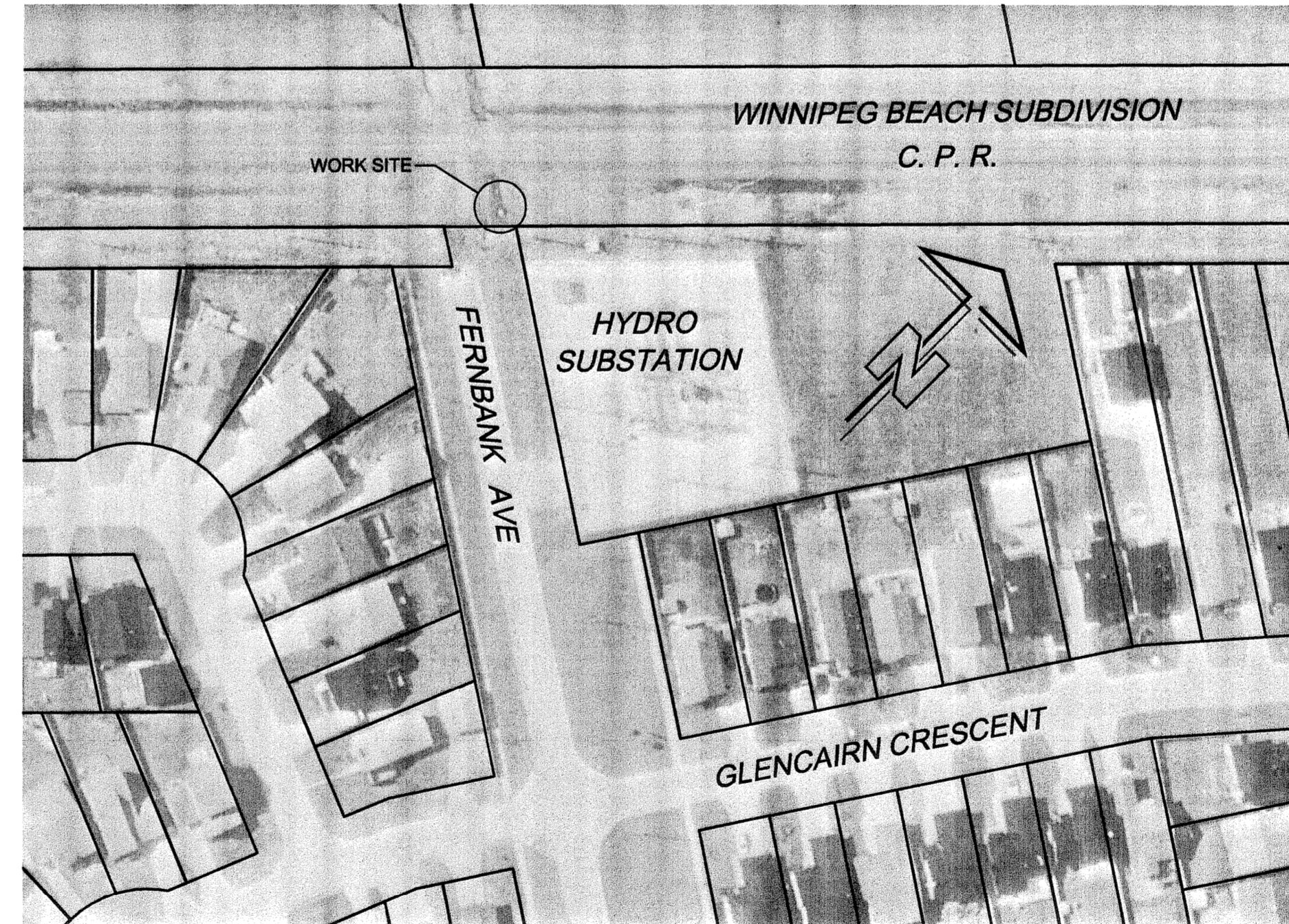
GRATE INSTALLATION DETAIL
SCALE 1:25



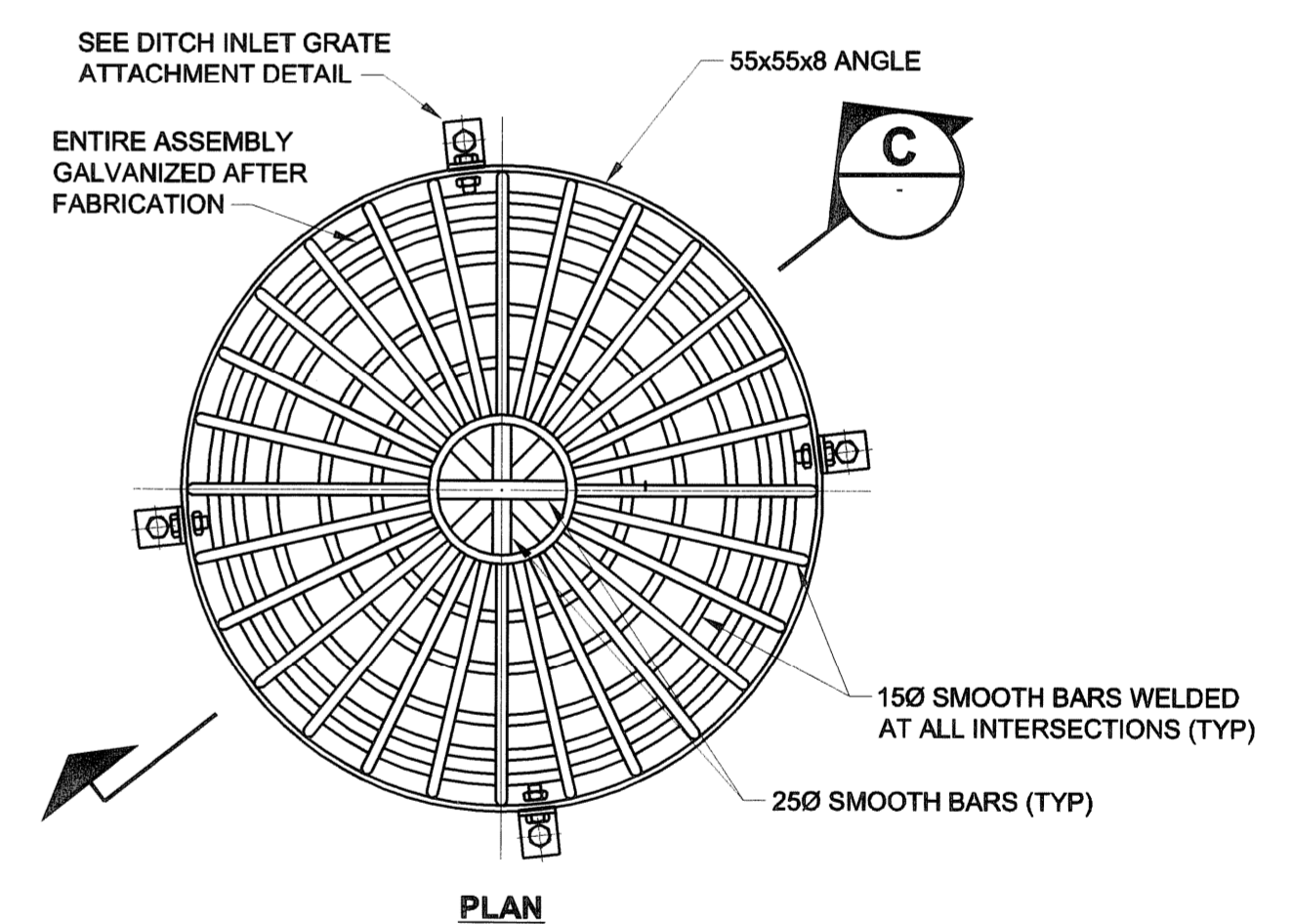
SECTION C
SCALE 1:10



PLAN
SCALE 1:250



SITE PLAN
SCALE 1:1000



DITCH INLET GRATE
SCALE 1:10

METRIC
WHOLE NUMBERS INDICATE MILLIMETRES
DECIMALIZED NUMBERS INDICATE METRES

LOCATION APPROVED UNDERGROUND STRUCTURES

SUPR. U/G STRUCTURES	DATE

NOTE:
LOCATION OF UNDERGROUND STRUCTURES AS SHOWN ARE BASED ON THE BEST INFORMATION AVAILABLE. BUT NO GUARANTEE IS GIVEN THAT ALL EXISTING UTILITIES ARE SHOWN OR THAT THE GIVEN LOCATIONS ARE EXACT. CONFIRMATION OF EXISTENCE AND EXACT LOCATION OF ALL SERVICES MUST BE OBTAINED FROM THE INDIVIDUAL UTILITIES BEFORE PROCEEDING WITH CONSTRUCTION.

NO.	REVISIONS	YYMMDD	BY
0	ISSUED FOR CONSTRUCTION	06/03/17	KMB

UMA AECOM	
© 2006 UMA ENGINEERING LTD. ALL RIGHTS RESERVED.	
DESIGNED BY: MAG	CHECKED BY: [Signature]
DRAWN BY: KMB	APPROVED BY: [Signature]
HOR. SCALE: AS NOTED	RELEASED FOR CONSTRUCTION: [Signature]
VERT. SCALE: AS NOTED	DATE: 06/03/20

APEGM
Certificate of Authorization
UMA Engineering Ltd.
No. 256 Expiry: April 30, 2006

PROFESSIONAL'S SEAL
W. T. JACKSON
Member
20782
REGISTERED PROFESSIONAL ENGINEER

CONSULTANT DRAWING NO. 06
D265-204-00

THE CITY OF WINNIPEG
WATER AND WASTE DEPARTMENT

CULVERT AND DRAINAGE INLET PROTECTION
VARIOUS LOCATIONS

FERNBANK AVE - TYPE 1 RETROFIT
AT CPR PL WINNIPEG BEACH SUBDIVISION
PLAN & SECTIONS

SHEET 6 OF 6
CITY DRAWING NUMBER
LD-3322
REV 0

BID OPPORTUNITY NO. 83-2006