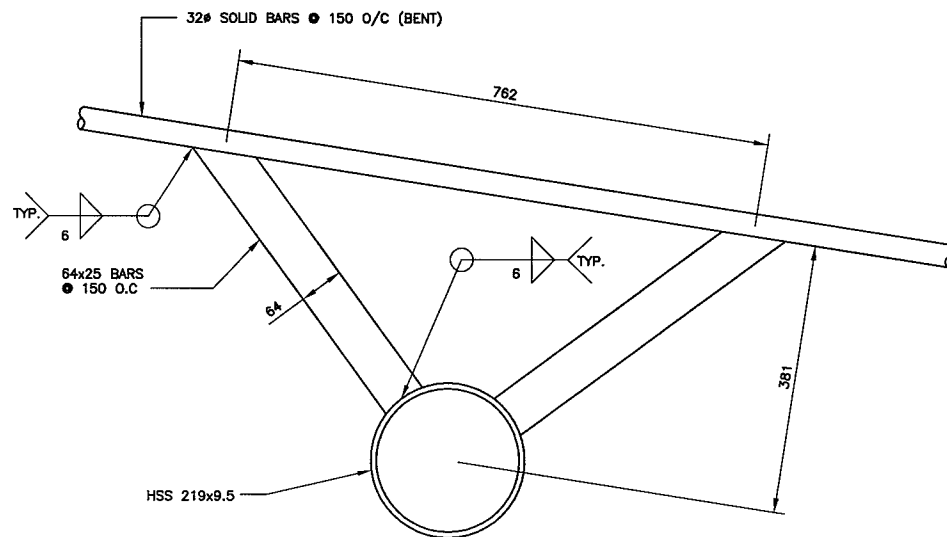
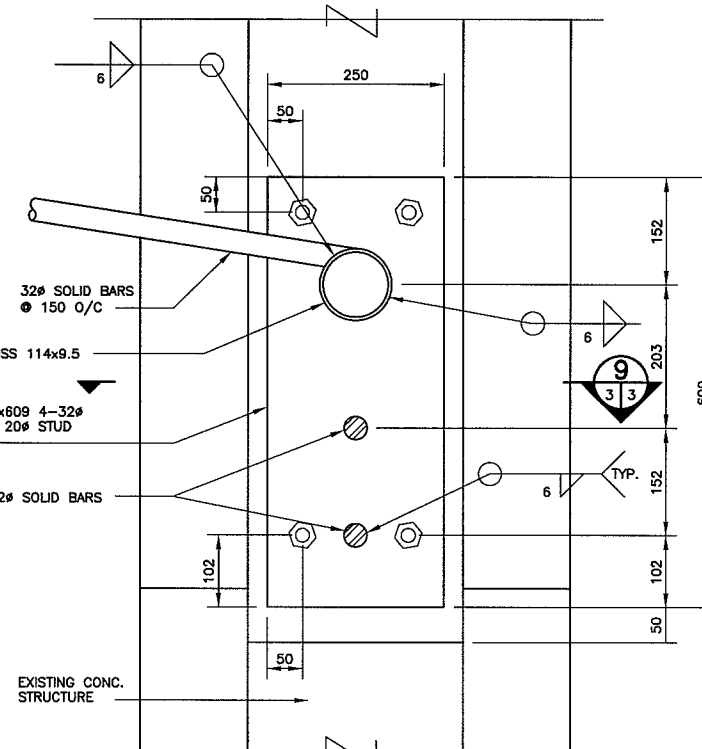


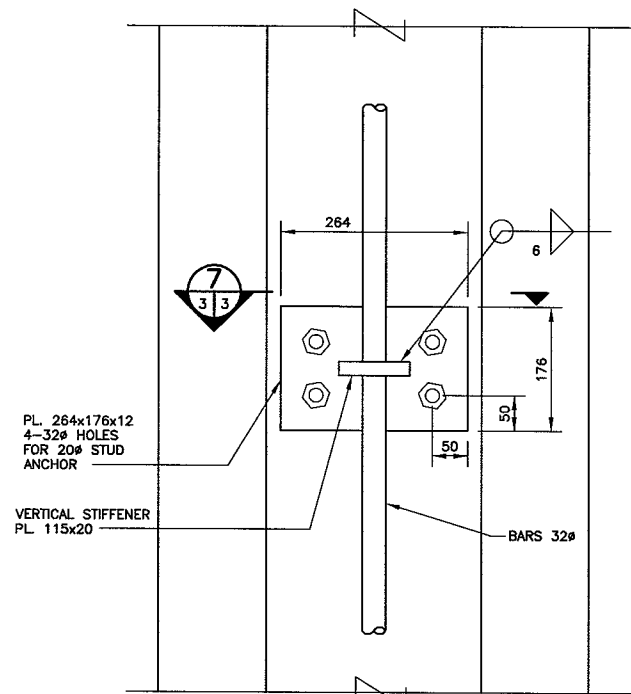
DETAIL G  
1: 5



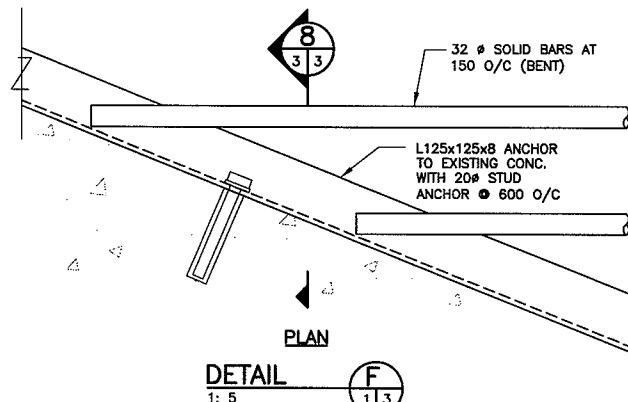
DETAIL H  
1: 5



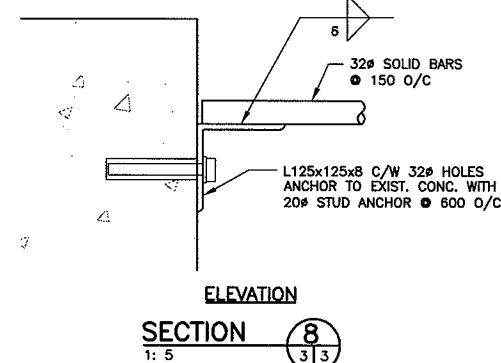
DETAIL J  
1: 5



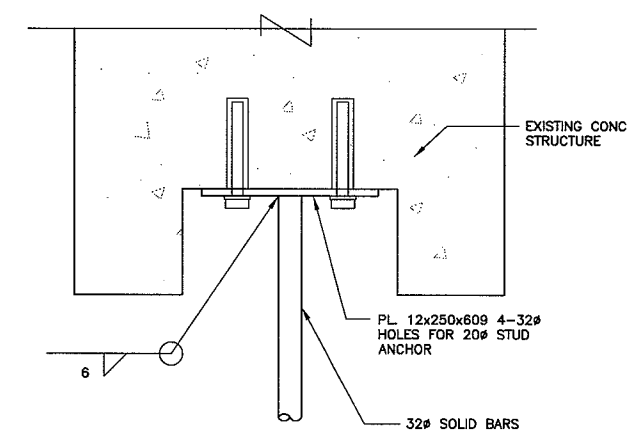
DETAIL E  
1: 5



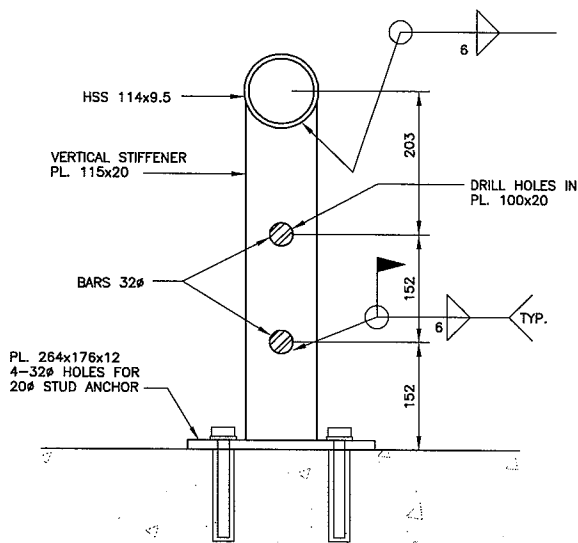
DETAIL F  
1: 5



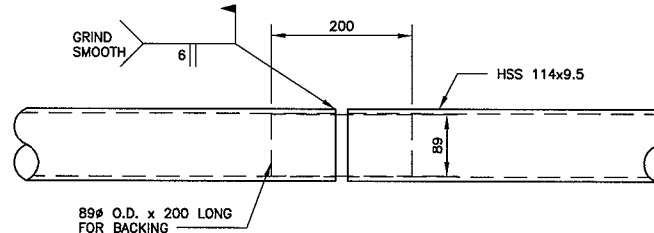
SECTION 8  
1: 5



SECTION 9  
1: 5



SECTION 7  
1: 5



DETAIL K  
1: 5

DRAWING REDUCED  
NOT TO SCALE

B.M. ELEV. DESIGNED BY A.S.D. DRAWN BY M.R.D. CHECKED BY S.S.R. REVIEWED BY <i>[Signature]</i> NO. REVISIONS DATE BY		ENGINEER'S SEAL PROVINCE OF MANITOBA FEB 14 2006 A.S. DERAJ REGISTERED PROFESSIONAL ENGINEER		ENGINEER'S SEAL PROVINCE OF MANITOBA FEB 14 2006 S.S. RIHAL REGISTERED PROFESSIONAL ENGINEER		THE CITY OF WINNIPEG PUBLIC WORKS DEPARTMENT SUPPLY & INSTALLATION OF A STEEL GRATE ON THE LOT 16 DRAIN INLET STRUCTURE SECTIONS AND DETAILS II		CITY DRAWING NUMBER LD-3292 SHEET 3 OF 3 BID OPP. NO. 92-2006	
2 ISSUED FOR TENDER 02/14/06 M.R.D. 1 ISSUED FOR CITY REVIEW 02/08/06 M.R.D.		HOR. SCALE VERTICAL		RELEASED FOR CONSTRUCTION DATE		CONSULTANT PROJECT NO. 06-5782			

400\Dillon Acad File: G:\CAD\065782\INLET\_GRATE\_LOT\_16\FINAL\ISSUED FOR TENDER\LD-3292.DWG 02/14/06  
 02/14/06