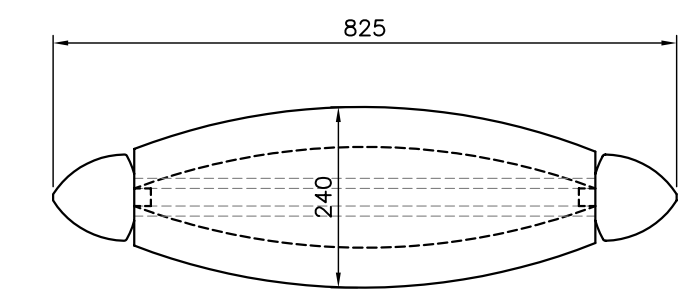
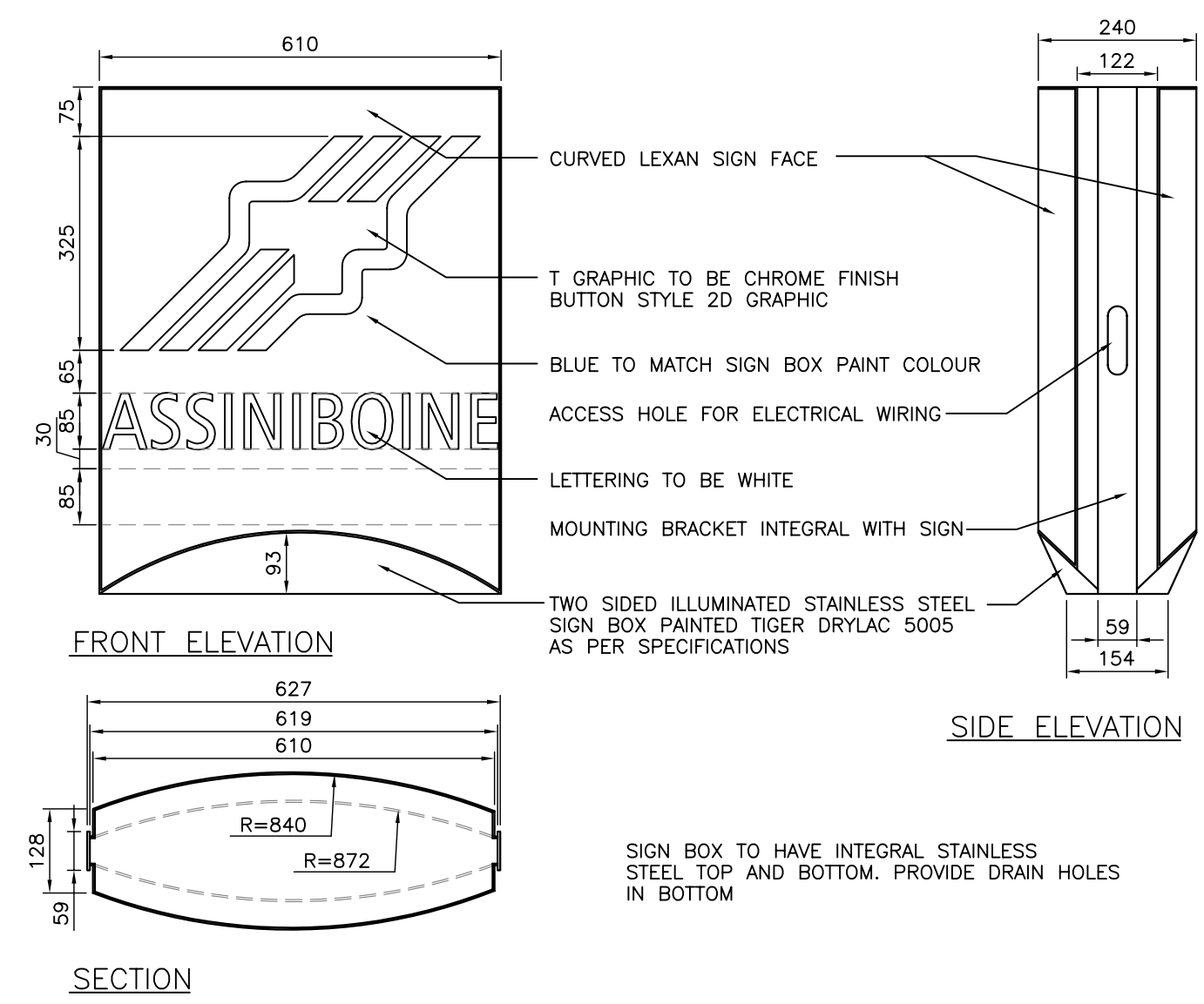


FRONT ELEVATION

SIDE ELEVATION



PLAN

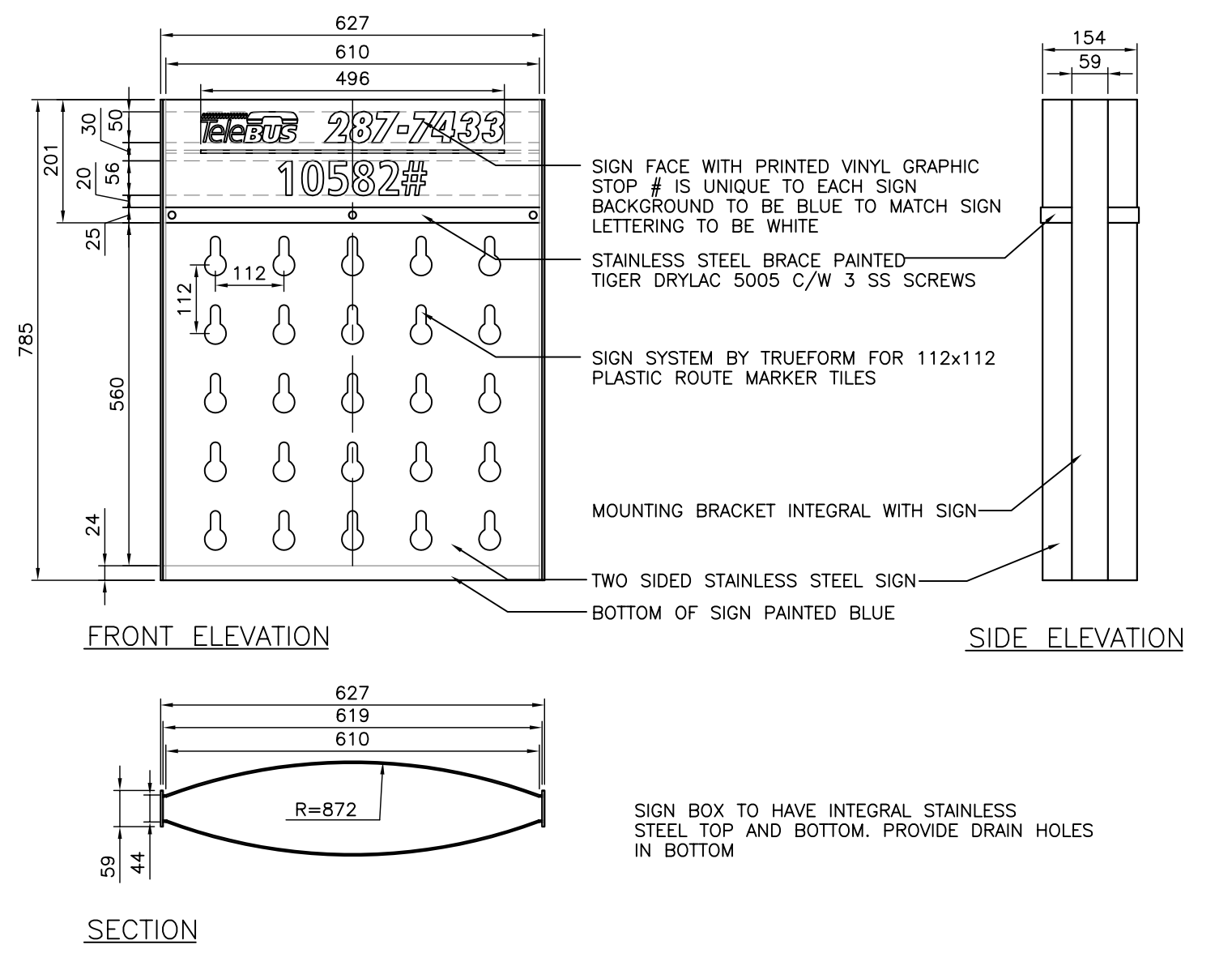


FRONT ELEVATION

SIDE ELEVATION

SECTION

DETAIL 5 - ILLUMINATED SIGN BOX

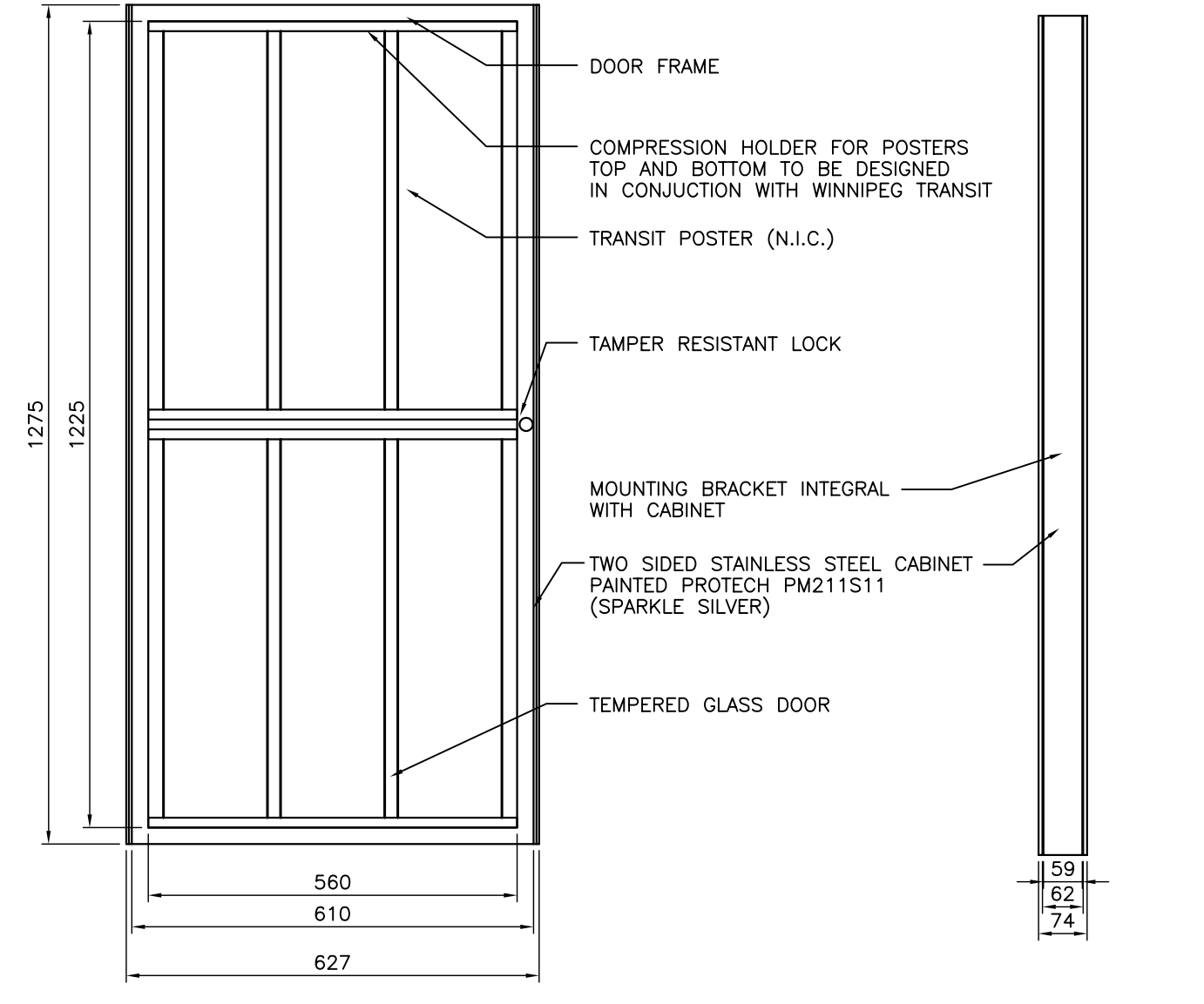


FRONT ELEVATION

SIDE ELEVATION

SECTION

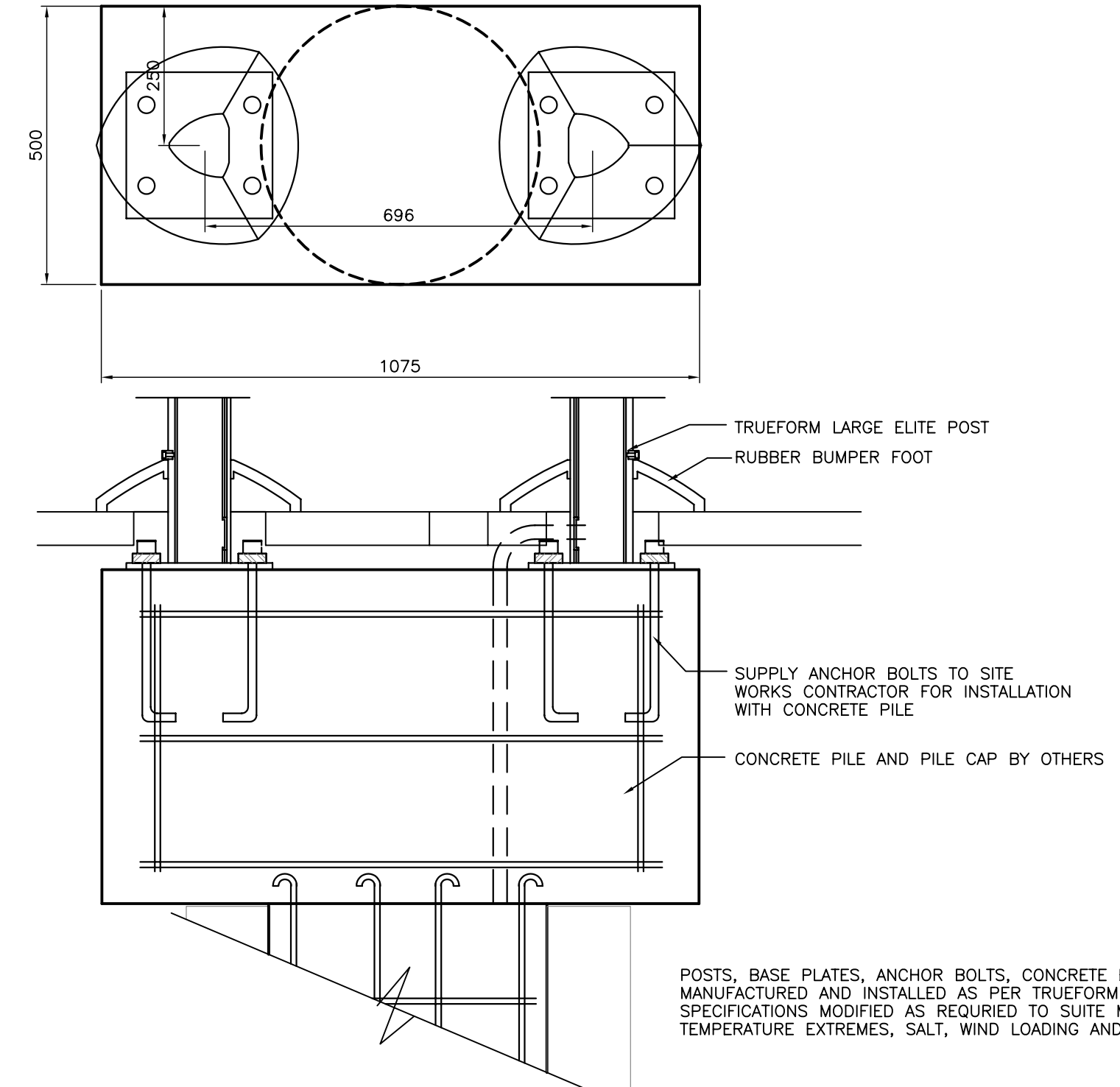
DETAIL 6 - STAINLESS STEEL SIGN



FRONT ELEVATION

SIDE ELEVATION

DETAIL 7 - TIP DISPLAY BOX



DETAIL 8 - BASE CONNECTION

ALL DIMENSIONS PROVIDED FOR INFORMATION ON DESIGN INTENT.

CONTRACTOR TO SUPPLY SHOP DRAWINGS STAMPED BY A STRUCTURAL ENGINEER LICENSED TO PRACTICE IN THE PROVINCE OF MANITOBA. SHOP DRAWINGS TO INCLUDE WALL THICKNESSES, MATERIALS ETC. AS LISTED IN THE SPECIFICATIONS.

No.	Revisions	Date	By
Date		Scale	
19-01-07		1:10	
Designed By	Drawn By	Checked By	
JW/SR	JW	BM/AR	



Client  
**WINNIPEG TRANSIT**  
**WINNIPEG TRANSIT**  
**BUS STOP**  
**SIGNAGE SYSTEM**

Sheet Title  
**BUS STOP**  
**TOTEM**