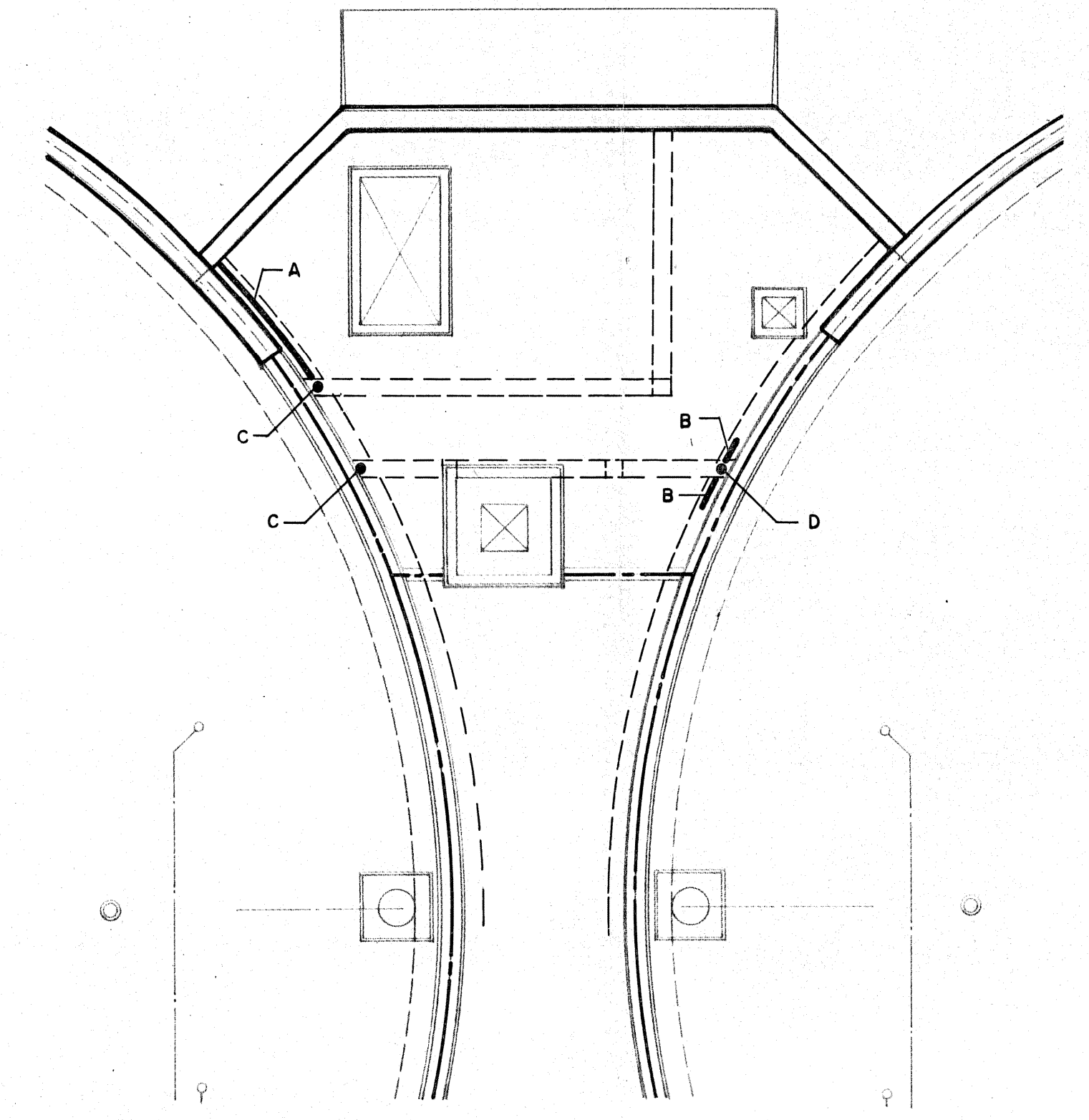
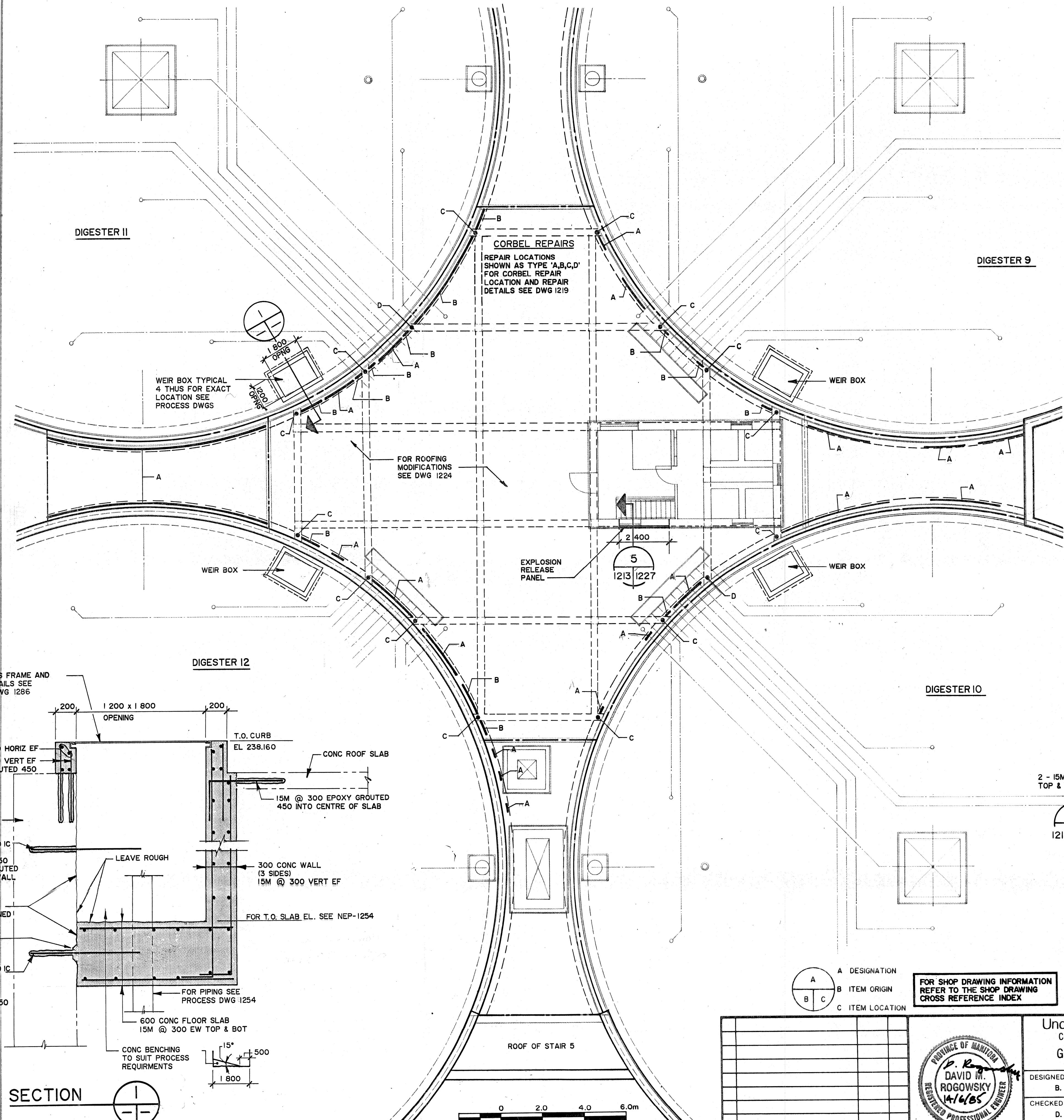


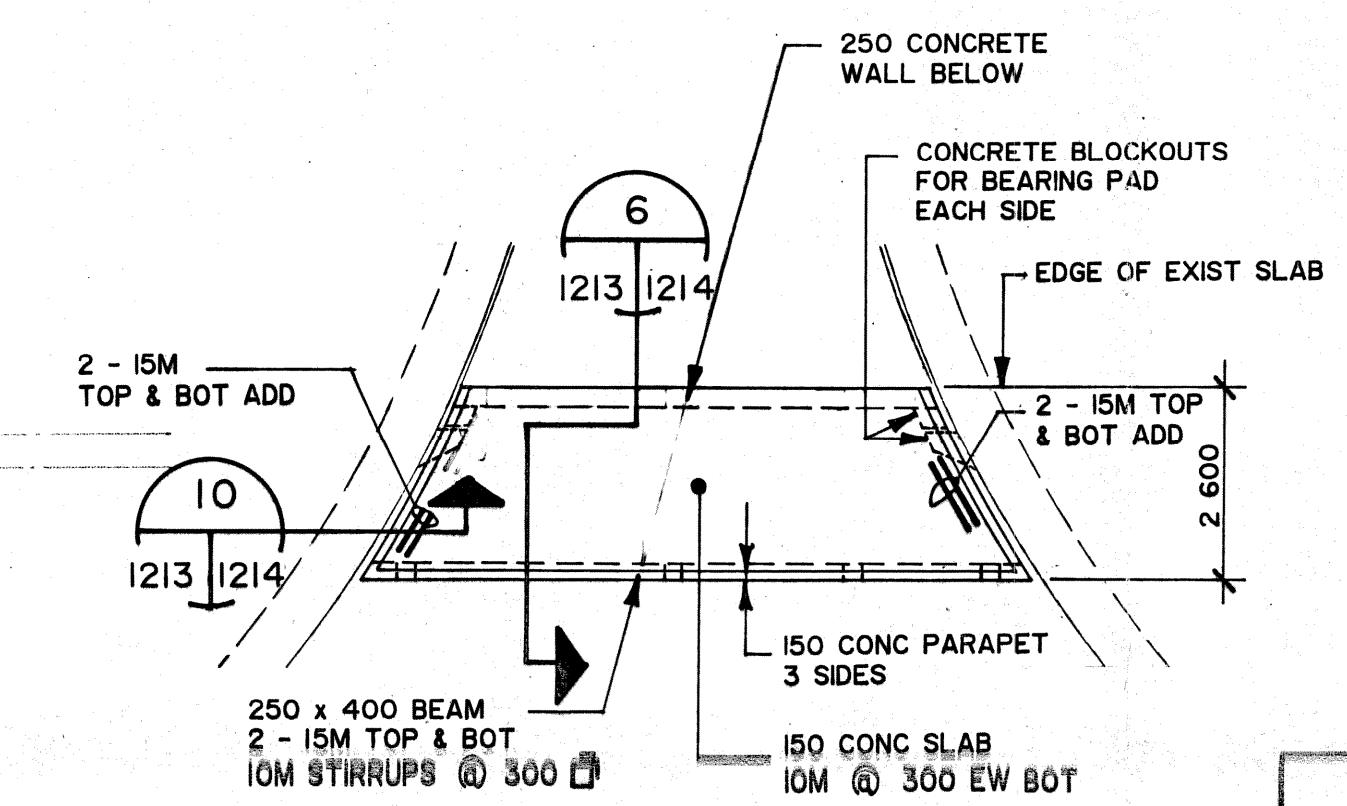
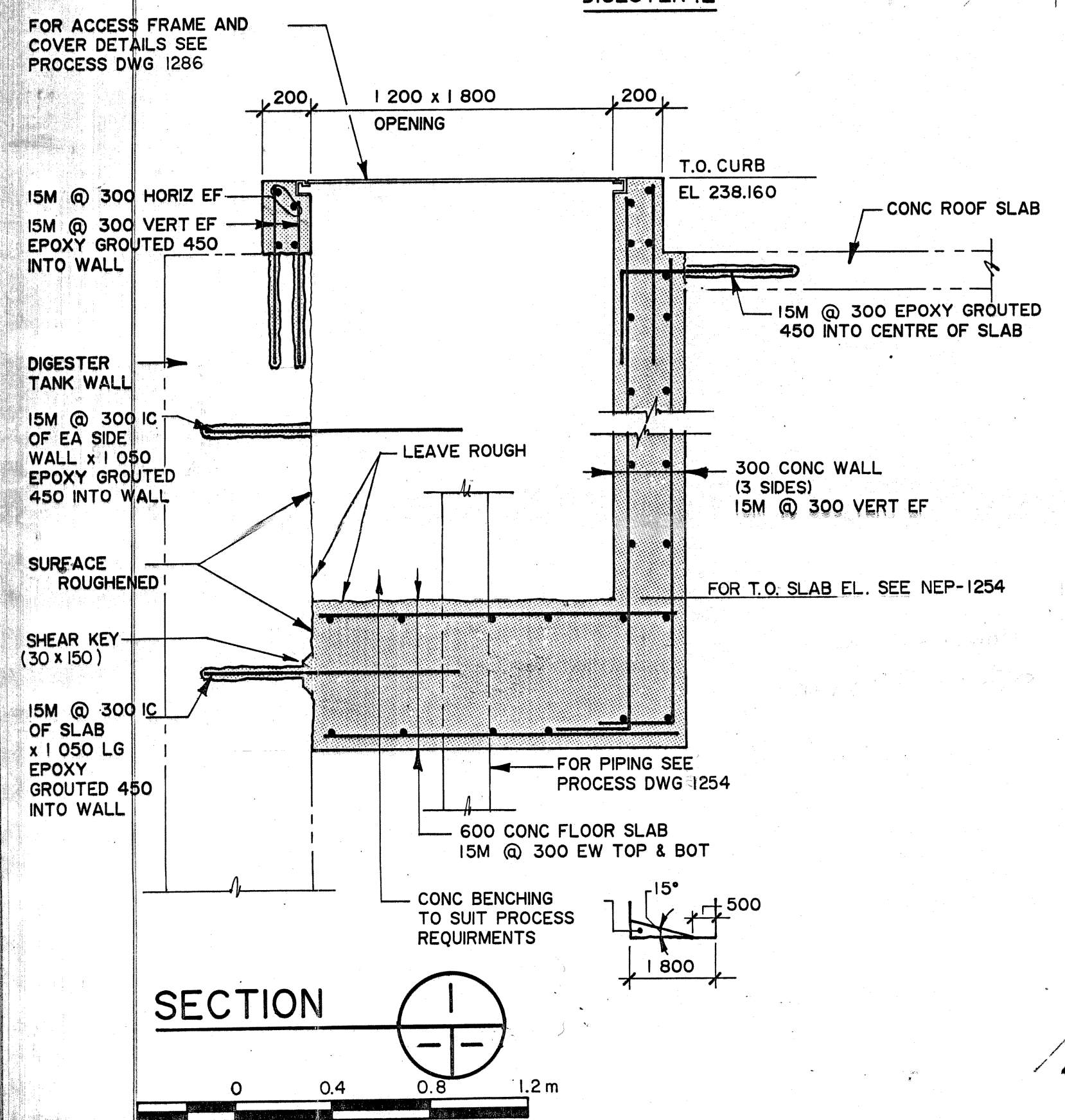
NEP-1213

GENERAL NOTES:

- 1. OPENINGS THROUGH EXISTING WALLS & FLOORS FOR PIPES - SEE PROCESS & MECHANICAL DRAWINGS FOR LOCATION AND SIZE

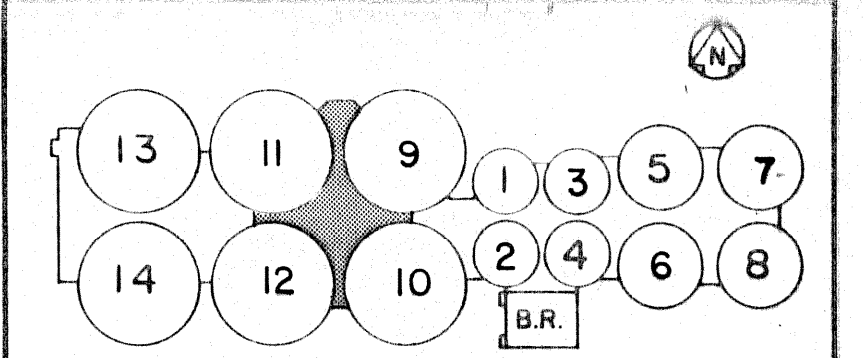


NORTH ENTRY ROOF PLAN GALLERY 5
T.O. SLAB EL. 237.840



ROOF FRAMING PLAN - GALLERY 5 SOUTH STAIR
(T.O. SLAB EL 237.840)

AS CONSTRUCTED
APPROVED BY: [Signature]
DATE: 1985-03-28

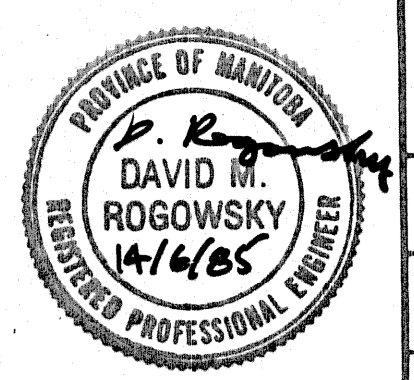


- A DESIGNATION
- B ITEM ORIGIN
- C ITEM LOCATION

FOR SHOP DRAWING INFORMATION REFER TO THE SHOP DRAWING CROSS REFERENCE INDEX

"TO OBTAIN PLANT DATUM SUBTRACT 221.764 METRES"

NO	REVISIONS	DATE	APP
A	REVISED TO AS CONSTRUCTED	11-03-85	[Signature]



Underwood McLellan Ltd.
Consulting Engineers and Planners
GORE & STORRIE LIMITED
CONSULTING ENGINEERS

DESIGNED BY: B. BISWANGER
DRAWN BY: L.M.G.
CHECKED BY: D. ROGOWSKY
DATE: FEB./85
APPROVED BY: [Signature]
DATE: JUNE/85

THE CITY OF WINNIPEG
WORKS & OPERATIONS DIVISION
WATERWORKS, WASTE & DISPOSAL DEPARTMENT

NORTH END WATER POLLUTION CONTROL CENTRE
SLUDGE DIGESTION EXPANSION

DIGESTION GALLERY No. 5
STRUCTURAL ROOF PLAN

RELEASED FOR CONSTRUCTION: [Signature] DATE: 17/6/85
SCALE: AS SHOWN
DRAWING NO.: **NEP-1213**