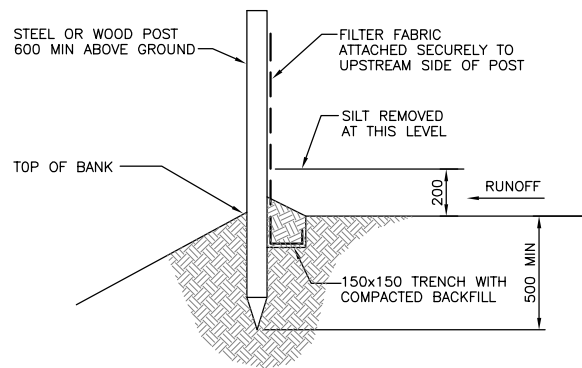
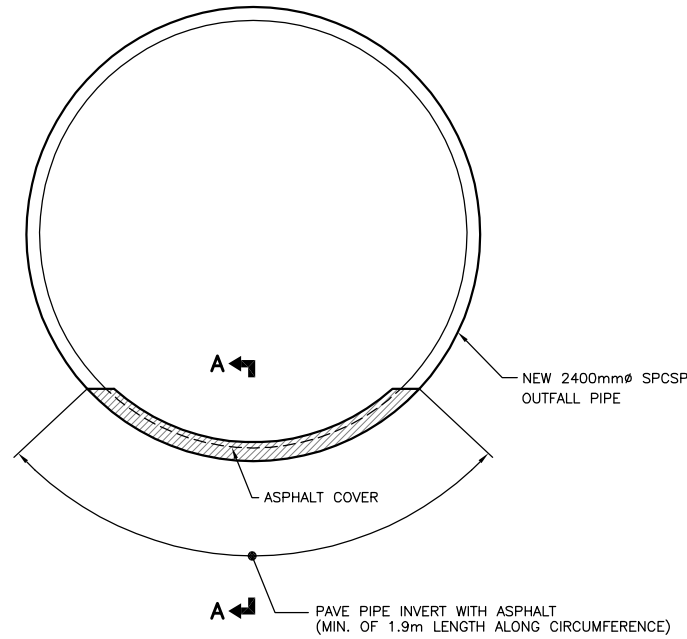


ISOMETRIC DETAIL
SCALE: NTS

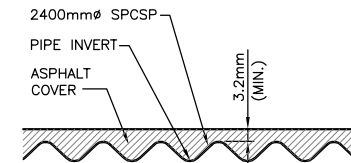
NOTE:
SILT FENCE PLACED WHERE SHOWN ON THE DRAWING TO MAXIMIZE PONDING EFFICIENCY, AND PREVENT SEDIMENT FROM ENTERING TREADED AREAS OF THE RIVER.



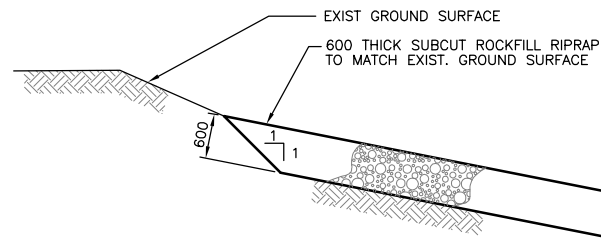
SECTION A-A
TRENCH WITH NATIVE BACKFILL
SCALE: NTS
SILT FENCE DETAILS
SCALE: NTS



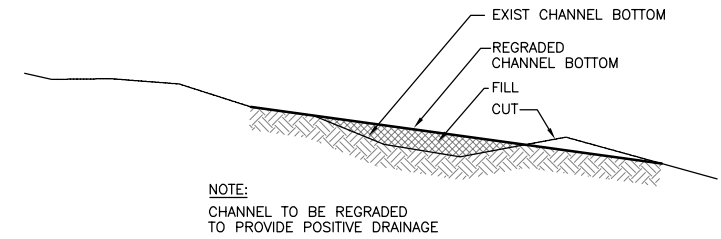
SECTION A-A
SCALE: NTS



SECTION A-A
SCALE: NTS



ROCK RIPRAP DETAIL
SCALE: 1:50



CHANNEL REGRAIDING DETAIL
SCALE: 1:50

METRIC
WHOLE NUMBERS INDICATE MILLIMETRES
DECIMALIZED NUMBERS INDICATE METRES



No. 245 Expiry: April 30, 2007

LOCATION APPROVED UNDERGROUND STRUCTURES		B.M. ELEV.
SUPV. U/G STRUCTURES COMMITTEE	DATE	
NOTE: LOCATION OF UNDERGROUND STRUCTURES AS SHOWN ARE BASED ON THE BEST INFORMATION AVAILABLE BUT NO GUARANTEE IS GIVEN THAT ALL EXISTING UTILITIES ARE SHOWN OR THAT THE GIVEN LOCATIONS ARE EXACT. CONFIRMATION OF EXISTENCE AND EXACT LOCATION OF ALL SERVICES MUST BE OBTAINED FROM THE INDIVIDUAL UTILITIES BEFORE PROCEEDING WITH CONSTRUCTION.		
0	ISSUED FOR CONSTRUCTION	12/01/07 RJH
NO.	REVISIONS	DATE BY

KGS GROUP		CONSULTING ENGINEERS & PROJECT MANAGERS	
WISCONSIN (204) 896-1209		THUNDER BAY (807) 345-2233	
DESIGNED BY	RO	CHECKED BY	RJH
DRAWN BY	DW	APPROVED BY	
HOR. SCALE: AS NOTED		RELEASED FOR CONSTRUCTION:	
VERTICAL:		DATE	
19/12/06		DATE	

KGS GROUP		CONSULTING ENGINEERS & PROJECT MANAGERS	
WISCONSIN (204) 896-1209		THUNDER BAY (807) 345-2233	
DESIGNED BY	RO	CHECKED BY	RJH
DRAWN BY	DW	APPROVED BY	
HOR. SCALE: AS NOTED		RELEASED FOR CONSTRUCTION:	
VERTICAL:		DATE	
19/12/06		DATE	

ENGINEER'S SEAL	
CONSULTANT DRAWING NO.	
06-0107-23	

THE CITY OF WINNIPEG
WATER & WASTE DEPARTMENT

PLAZA DRIVE OUTFALL RENEWAL

SILT FENCE & MISCELLANEOUS DETAILS

SHEET **03** OF **03**
CAD FILE DRAWING NUMBER **06-0107-23**
CITY DRAWING NUMBER **LD-3473**