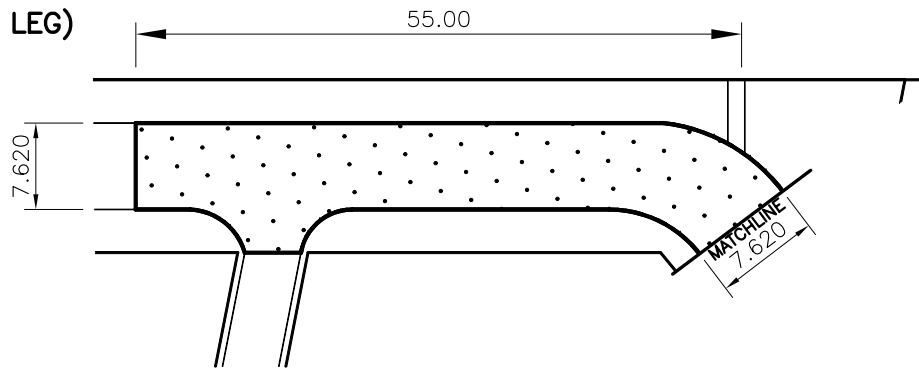
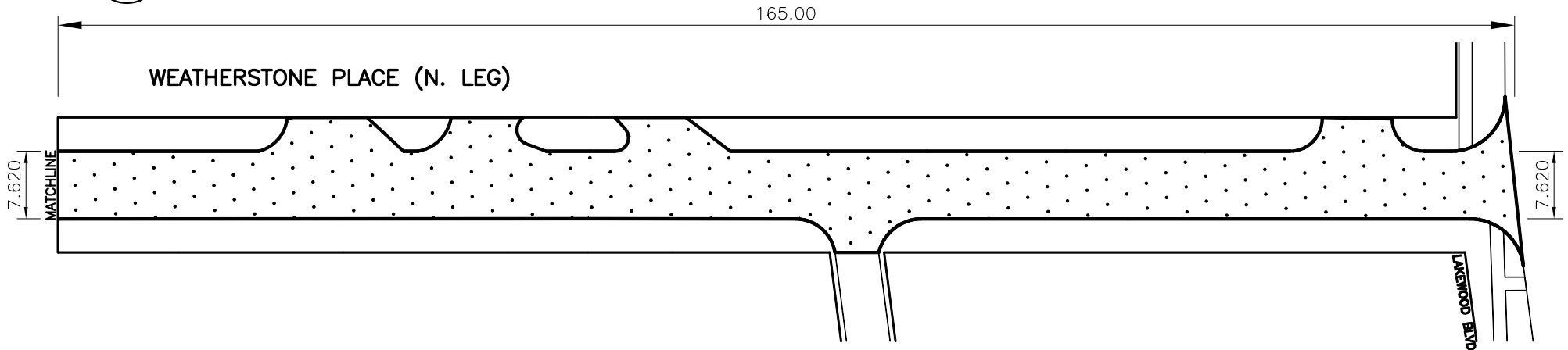
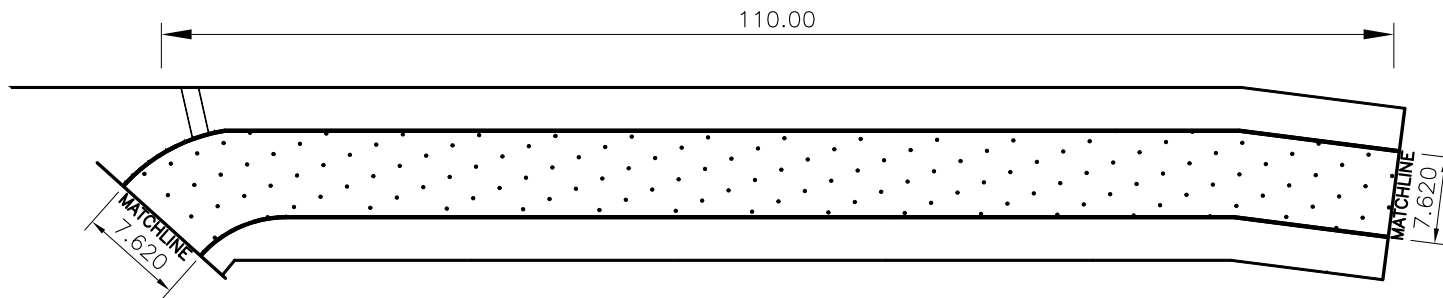


WEATHERSTONE PLACE (N. LEG)



WEATHERSTONE PLACE (N. LEG)



PAVEMENT REHABILITATION INCLUDES:

1. PLANING OF CONCRETE AND/OR ASPHALT AS REQUIRED
2. SIDEWALK RENEWAL AS REQUIRED
3. FULL DEPTH SLAB PATCHING
4. CURB RENEWAL
5. ASPHALT OVERLAY

SEG ENGINEERING INC.		200 TACHE AVENUE WINNIPEG, MANITOBA (204)-233-2113	
DESIGNED BY	R.H./S.M.	CHECKED BY	S.M.
DRAWN BY	R.H.	APPROVED BY	S.M.
HOR. SCALE:	N.T.S.	RELEASED FOR CONSTRUCTION	
VERT. SCALE:	N.T.S.	DATE	
DATE	JANUARY 2007	DATE	

THE CITY OF WINNIPEG PUBLIC WORKS DEPARTMENT TRANSPORTATION DIVISION	
PROVINCE OF MANITOBA/CITY OF WINNIPEG 2007 RESIDENTIAL STREETS WEATHERSTONE PLACE (NORTH LEG) FROM ± 330.0m WEST OF LAKEWOOD BLVD TO LAKEWOOD BLVD. PAVEMENT REHABILITATION	CITY DRAWING NO. 160-2007 CONSULTANT DRAWING NO. 063-046-04