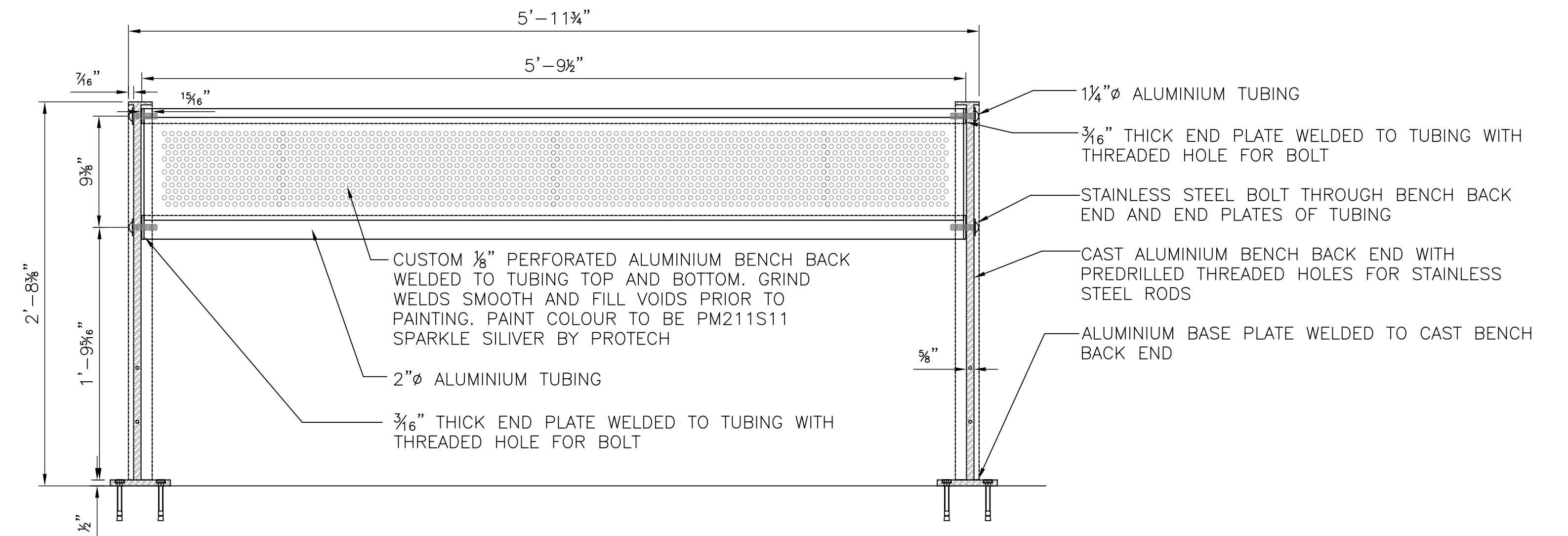
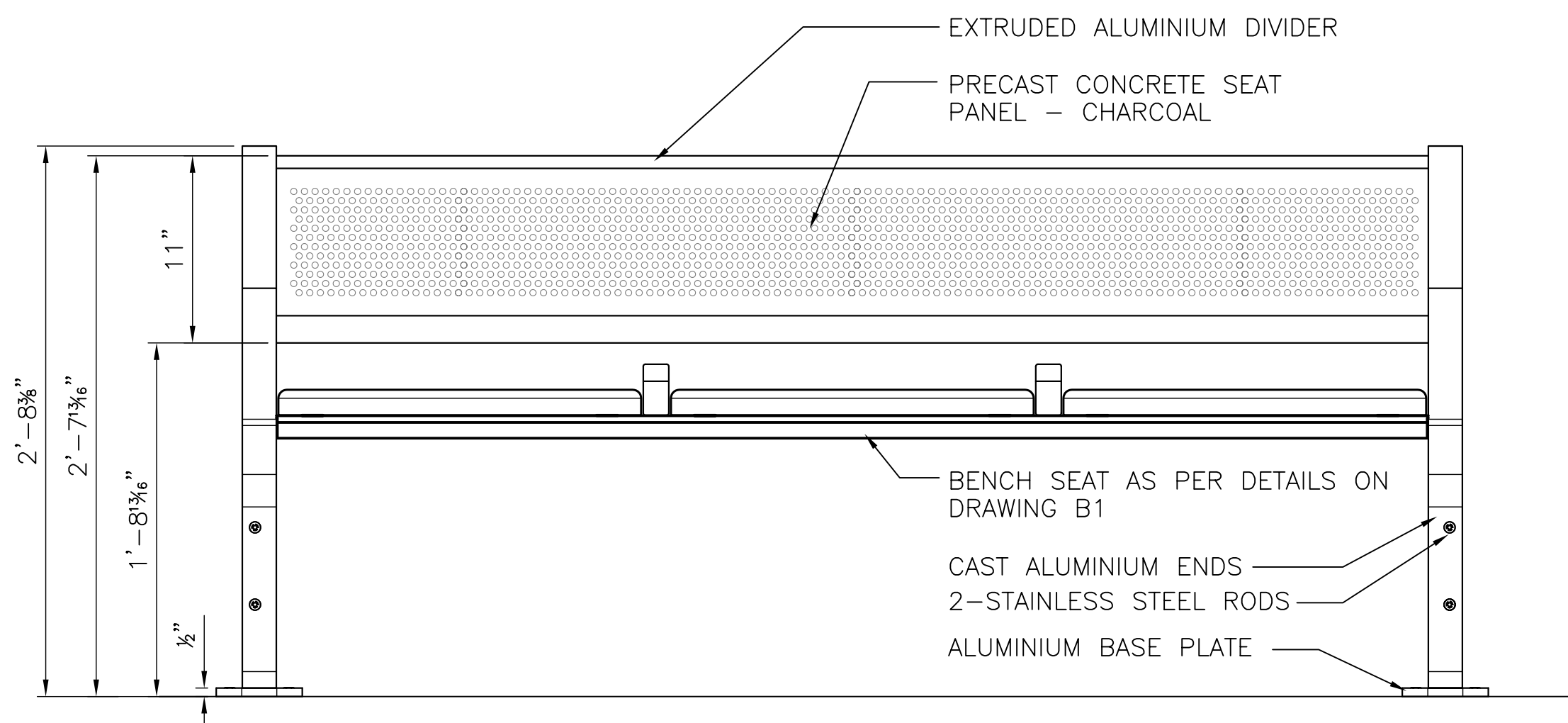


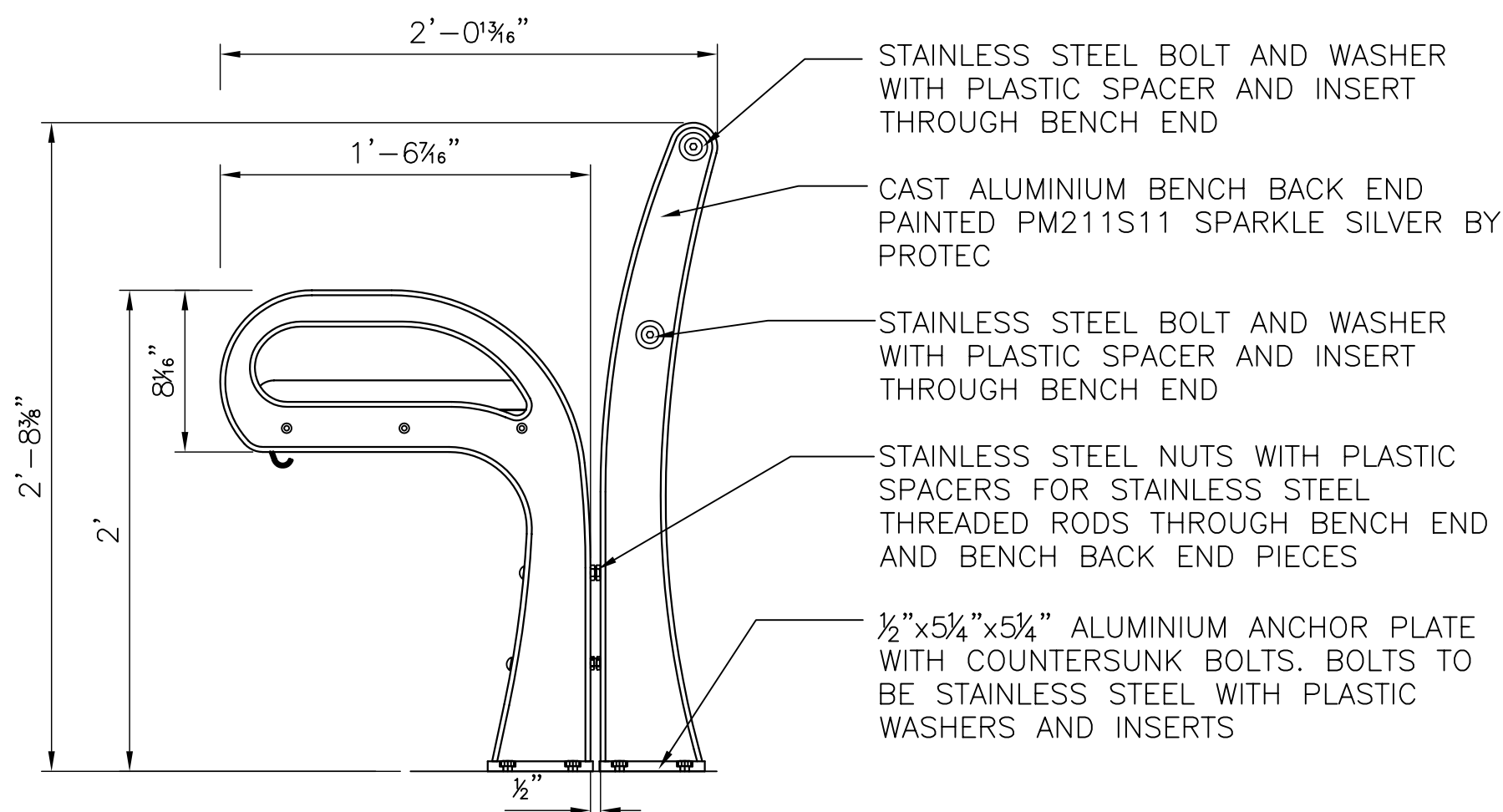
PLAN VIEW
SCALE 1/8"=1'-0"



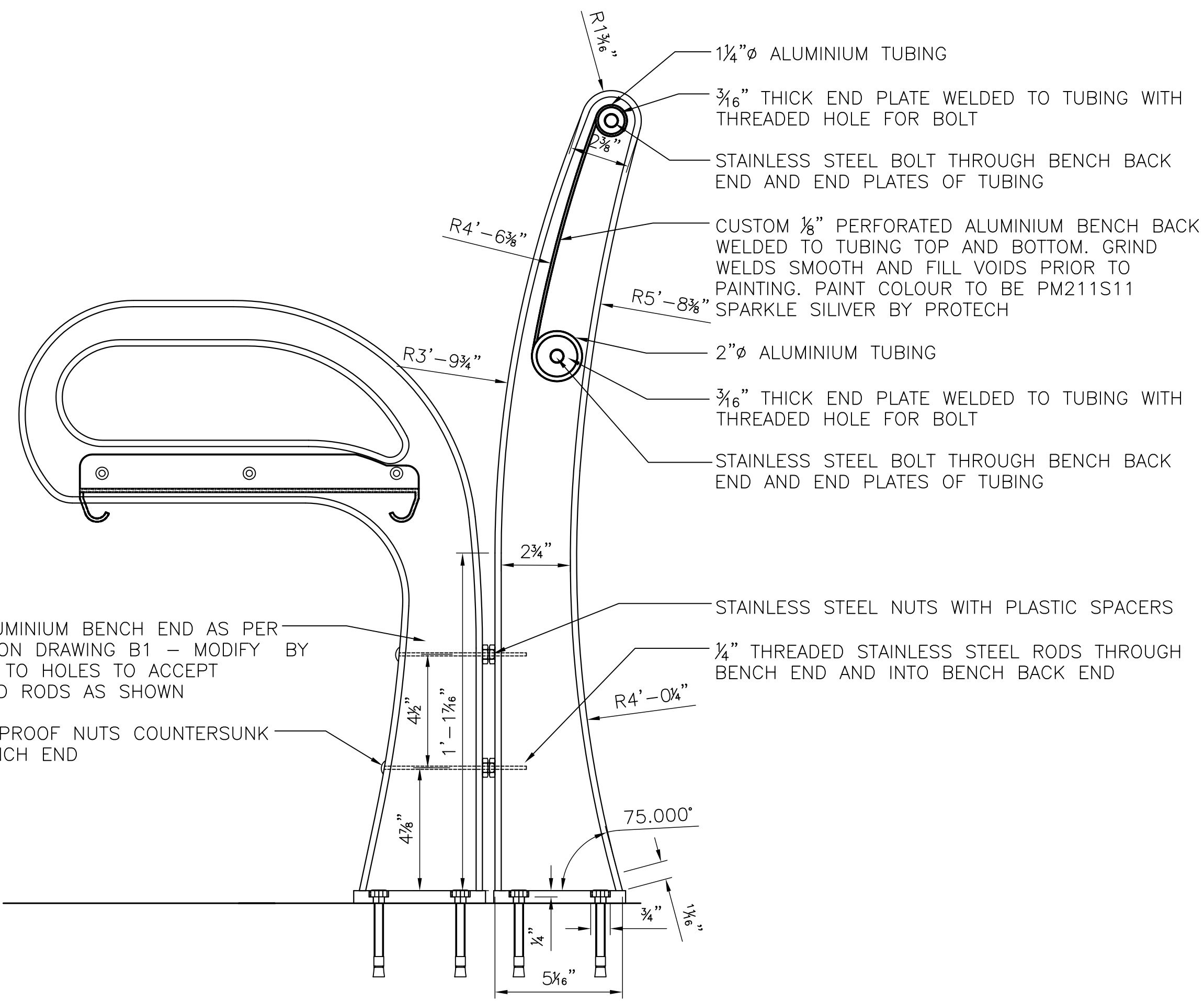
SECTION A-A
SCALE 1/8"=1'-0"



FRONT ELEVATION
SCALE 1/8"=1'-0"



END ELEVATION
SCALE 1/8"=1'-0"

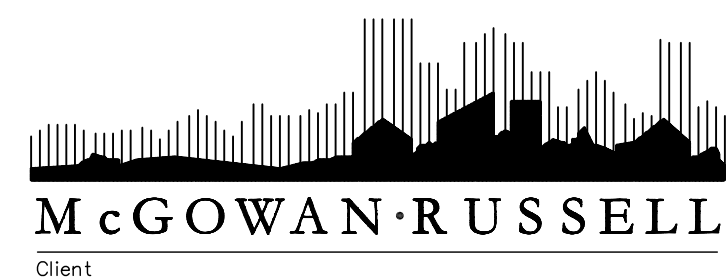


SECTION B-B
SCALE 1/4"=1'-0"

ALL DIMENSIONS PROVIDED FOR INFORMATION ON DESIGN INTENT.

CONTRACTOR TO SUPPLY SHOP DRAWINGS STAMPED BY A STRUCTURAL ENGINEER LICENSED TO PRACTICE IN THE PROVINCE OF MANITOBA WITH EXTENSIVE EXPERIENCE IN THE DESIGN & MANUFACTURING OF ALUMINIUM SITE FURNITURE. SHOP DRAWINGS TO INCLUDE WALL THICKNESSES, MATERIALS ETC. AS LISTED IN THE SPECIFICATIONS.

No.	Revisions	Date	By
22-02-07	AS NOTED		
Designed By	Drawn By	Checked By	
JW	JW	SR	



Client
WINNIPEG TRANSIT

Project Title
SUPPLY & INSTALLATION OF BENCHES FOR WINNIPEG TRANSIT

Sheet Title
BENCH WITH BACK DETAILS

Project No. 06-029 Drawing No. B2