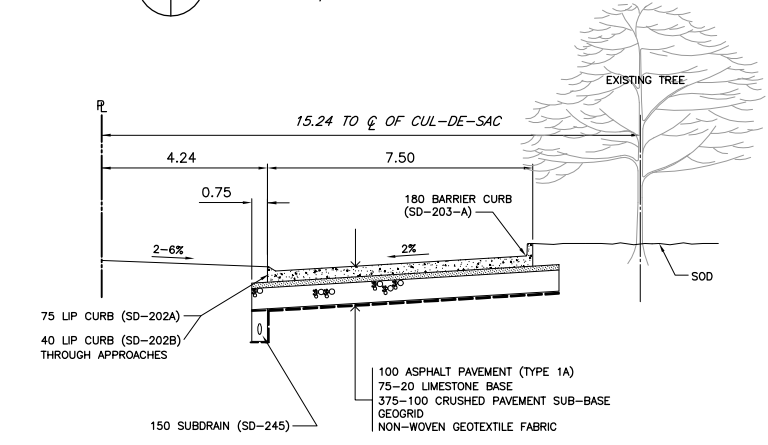
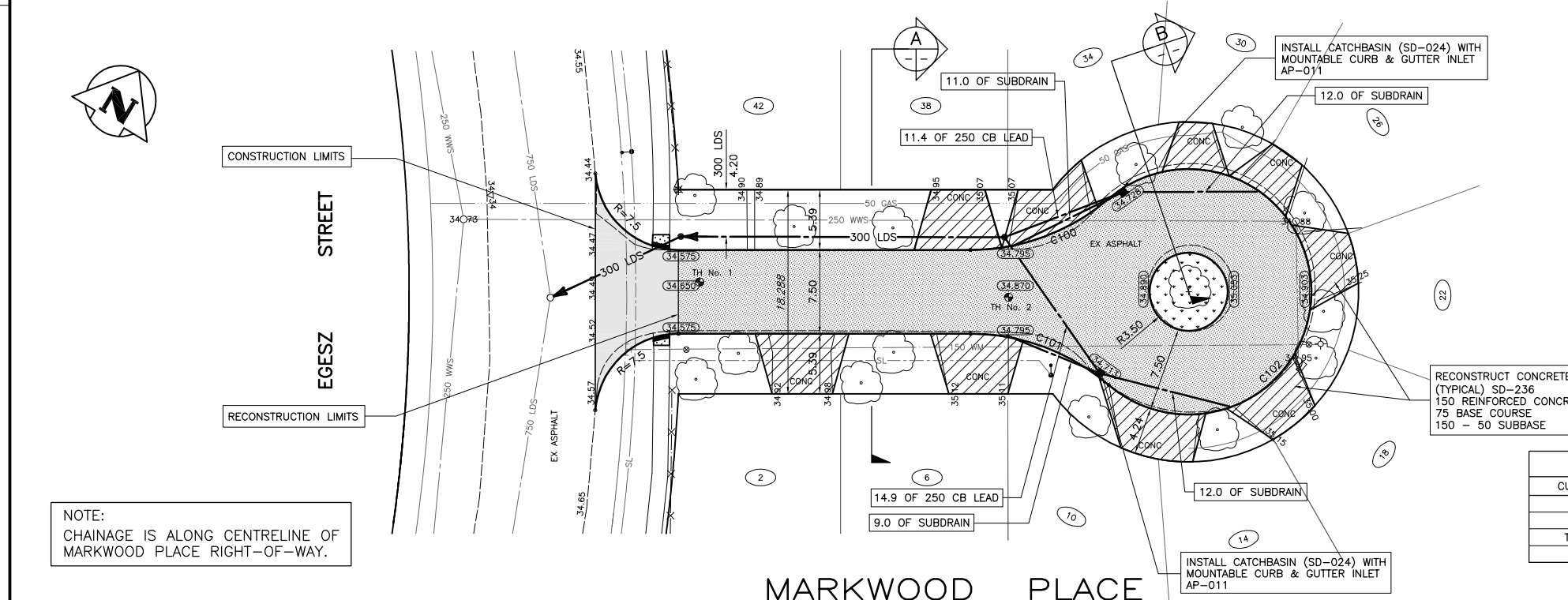


A MARKWOOD PLACE CROSS SECTION
HOR 1:100, VER 1:50



B MARKWOOD PLACE CROSS SECTION
HOR 1:100, VER 1:50



- CONSTRUCTION NOTES**
1. ALL CATCHBASIN LEADS TO BE 250mm AT A MINIMUM 1.0% UNLESS OTHERWISE NOTED.
 2. ALL EXISTING UTILITIES USED FOR CONNECTIONS TO HAVE INVERTS VERIFIED PRIOR TO CONSTRUCTION.
 3. ALL PAVEMENT DIMENSIONS ARE TO BACK OF CURB.
 4. ALL PIPE UNDER EXISTING OR FUTURE PAVEMENT TO BE INSTALLED USING TRENCHLESS METHODS. WHERE NOT POSSIBLE, OPEN CUT WITH CLASS 2 BACKFILL.
 5. ALL RAMP CURB TO BE IN ACCORDANCE WITH SD-229A, C & E.

CIRCULAR CURVE DATA			
CURVE NO.	C100	C101	C102
RADIUS	19.00	19.00	11.0
DELTA	40°41'31"	40°40'24"	261°21'54"
TANGENT	7.05	7.04	12.80
LENGTH	13.49	13.49	50.18



EXISTING	LEGEND-PLAN	PROPOSED	EXISTING	LEGEND-PLAN	PROPOSED	EXISTING	LEGEND-PLAN	PROPOSED
150 WM	WATERMAIN	150 WM	MANHOLE	MANHOLE	MANHOLE	GAS	GAS	GAS
300 LDS	LAND DRAINAGE SEWER	300 LDS	CATCHBASIN	CATCHBASIN	CATCHBASIN	HYDRO	HYDRO	HYDRO
250 WWS	WASTEWATER SEWER	250 WWS	CURB INLET	CURB INLET	CURB INLET	MTS	MTS	MTS
300 CS	COMBINED SEWER	300 CS	LIGHT STANDARD	LIGHT STANDARD	LIGHT STANDARD	ELEVATION	ELEVATION	ELEVATION
	JUNCTIONS		TREE	TREE	TREE	SOD	SOD	SOD
	HYDRANT	15.240	LEGAL DIMENSION	LEGAL DIMENSION	LEGAL DIMENSION	CONCRETE APPROACH	CONCRETE APPROACH	CONCRETE APPROACH
	VALVE		SURVEY BAR	SURVEY BAR	SURVEY BAR	SIDEWALK	SIDEWALK	SIDEWALK
	CURB STOP		FENCE	FENCE	FENCE	CURB	CURB	CURB
	HYDRO POLE		MAIL BOX	MAIL BOX	MAIL BOX	ASPHALT	ASPHALT	ASPHALT
	ANCHOR		ADDRESS	ADDRESS	ADDRESS	CONCRETE	CONCRETE	CONCRETE

LOCATION APPROVED UNDERGROUND STRUCTURES

B.M. ELEV. F.B. 2152

WARDROP Engineering Inc.

DESIGNED BY: DAL CHECKED BY: []
 DRAWN BY: GMD APPROVED BY: []

DATE: 06.12.01

ISSUED FOR TENDER: 07.03.19
 ISSUED FOR APPROVAL: 07.03.15

NO. REVISIONS: [] DATE: [] BY: []

NOTE: LOCATION OF UNDERGROUND STRUCTURES AS SHOWN ARE BASED ON THE BEST INFORMATION AVAILABLE. BUT NO GUARANTEE IS GIVEN THAT ALL EXISTING UTILITIES ARE EXACT. CONFIRMATION OF EXISTENCE AND EXACT LOCATION OF ALL SERVICES MUST BE OBTAINED FROM THE INDIVIDUAL UTILITIES BEFORE PROCEEDING WITH CONSTRUCTION.

PROVINCE OF MANITOBA REGISTERED ENGINEER
W.J. FUNK

THE CITY OF WINNIPEG
PUBLIC WORKS DEPARTMENT
ENGINEERING DIVISION

PAVEMENT RECONSTRUCTION

MARKWOOD PLACE FROM EGESZ STREET TO EGESZ STREET

CITY DRAWING NUMBER: SHEET 1 OF 1

CONSULTANT DRAWING NO. 0700070200-DWG-C0001-0

C0001