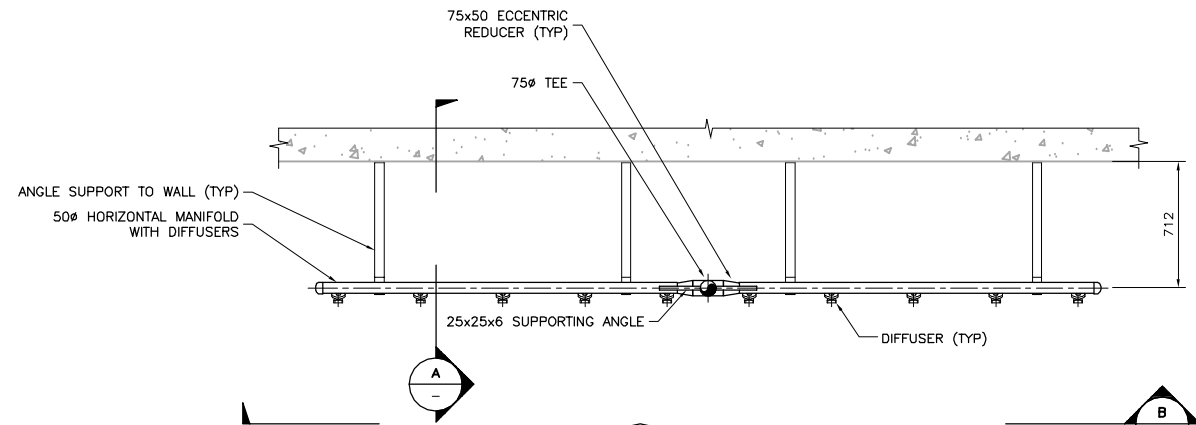
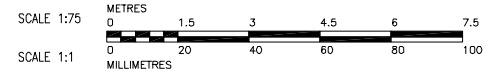
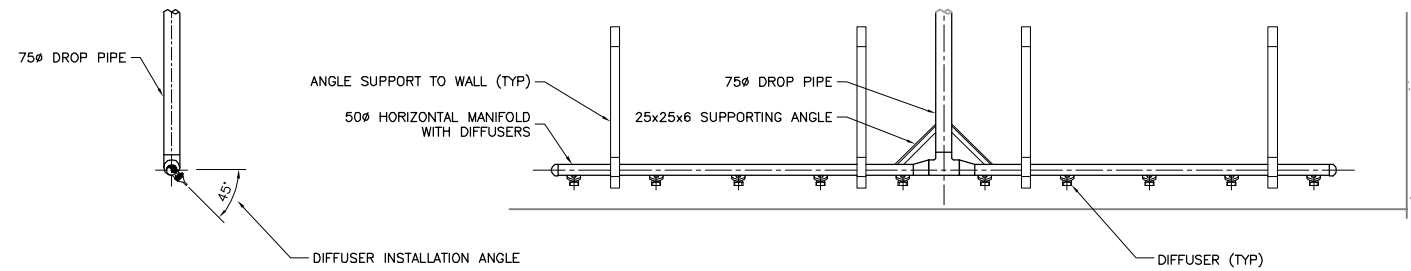


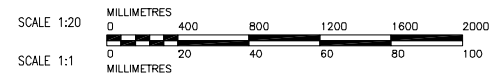
**C SECTION**  
P6.01 SCALE 1:75



**1 PLAN**  
7.01 SCALE 1:20



**B DETAIL**  
SCALE 1:20



- NOTES:**
1. AERATION HEADERS TO BE TIDEFLEX M-15 MANIFOLD ASSEMBLY OR APPROVED EQUIVALENT.
  2. ADDITIONAL 50% DIFFUSERS TO BE ADDED TO EACH ASSEMBLY WITHIN PRE-AERATION SECTIONS.
  3. ALL AERATION PIPING SUPPORTS WITHIN TANKS TO BE DESIGNED AND PROVIDED BY AERATION MANIFOLD SUPPLIER.
  4. NEW ALUMINUM HANDRAIL TO REPLACE EXISTING CHAIN HANDRAIL, DETAILS REFER TO STRUCTURAL DRAWINGS.

**APECA**  
Certificate of Authorization  
Earth Tech Canada Inc.  
No. 730 Expiry: April 30, 2007

B.M. ELEV.			
DESIGNED BY	EM	CHECKED BY	CGL
DRAWN BY	SRP	APPROVED BY	HH
ISSUED FOR TENDER	07/01/26	GLG	
NO. REVISIONS	DATE	BY	DATE
			2006/06/13
			2007/01/26

**EarthTech**  
A Tyco International Ltd. Company

DESIGNED BY EM CHECKED BY CGL  
DRAWN BY SRP APPROVED BY HH

HOR. SCALE: 1:75  
VERTICAL SCALE:

RELEASED FOR CONSTRUCTION BY:  
K. MARTENS

DATE 2006/06/13 DATE 2007/01/26

ENGINEER'S SEAL  
ORIGINAL SIGNED BY  
Q. MENG  
2007/01/26  
CONSULTANT DRAWING NO.  
P7.05

**THE CITY OF WINNIPEG**  
WATER AND WASTE DEPARTMENT  
ENGINEERING DIVISION

NEWPCC  
GRIT HANDLING UPGRADES  
CONTRACT 1

PROCESS  
GRIT TANK  
LONGITUDINAL SECTION

CITY FILE NUMBER  
SHEET OF  
CITY DRAWING NUMBER