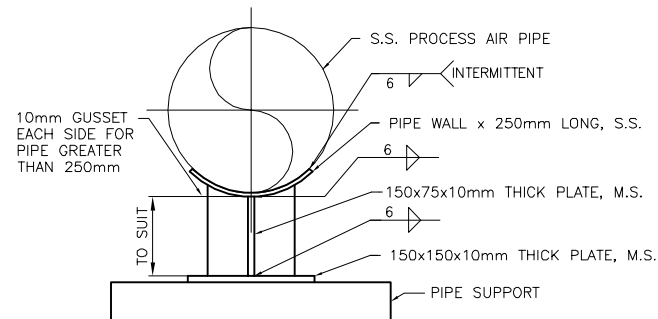


PIPE SIZE (mm)	ROD SIZE (mm)	MAX LOAD (kg)
25	9.4	280
50	9.4	280
75	12.0	510
100	16.0	800
150	20.0	1230
200	22.0	1710
250	25.0	2250
300	25.0	2250
350	25.0	2250
400	25.0	2250
450	25.0	2250
500	32.0	3630
600	32.0	3630

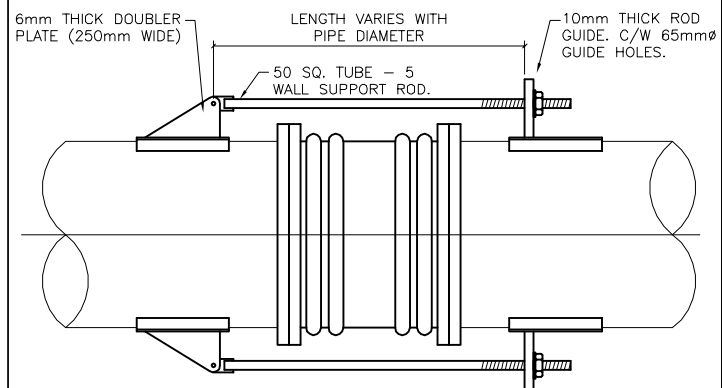
GRINNELL OR SIMILAR

SAFETY FACTOR = 5

STD 208 SINGLE PIPE HANGER



STD 409 PROCESS AIR PIPE SUPPORT



PIPE DIAMETER (mm)	NUMBER OF CORRUGATIONS PER 100 METER PIPE (EXTERIOR PIPE)	NUMBER OF CORRUGATIONS PER 100 METER PIPE (INTERIOR PIPE)
150	51	2
200	51	2
250	60	1
300	40	1
400	24	1
600	22	1
750	20	1
900	20	1

* BASED ON FLEXONIC LOW CORRUGATIONS (STAINLESS) EXPANSION JOINTS.
 ** BASED ON FLEXONIC SERIES 200 MOULDED WIDE ARCH (RUBBER) EXPANSION JOINT.

STD 412 EXPANSION JOINT

APECA
 Certificate of Authorization
 Earth Tech Canada Inc.
 No. 730 Expiry: April 30, 2007

EarthTech
 A Tyco International Ltd. Company

B.M. ELEV.					
DESIGNED BY	EM	CHECKED BY	CGL		
DRAWN BY	GLG	APPROVED BY	HH		
ISSUED FOR TENDER	07/01/26	GLG			
NO. REVISIONS		DATE	BY	DATE	2006/10/06

HOR. SCALE:	AS NOTED	RELEASED FOR CONSTRUCTION BY:	K. MARTENS
VERTICAL SCALE:			
DATE	2006/10/06	DATE	2007/01/26

ENGINEER'S SEAL
 ORIGINAL SIGNED BY
 Q. MENG
 2007/01/26
 CONSULTANT DRAWING NO.
 P8.02

THE CITY OF WINNIPEG
 WATER AND WASTE DEPARTMENT
 ENGINEERING DIVISION
 NEWPCC
 GRIT HANDLING UPGRADES
 CONTRACT 1
 PROCESS
 STANDARD DETAILS 2
 SHEET 2 OF 2
 CITY FILE NUMBER
 SHEET OF
 CITY DRAWING NUMBER