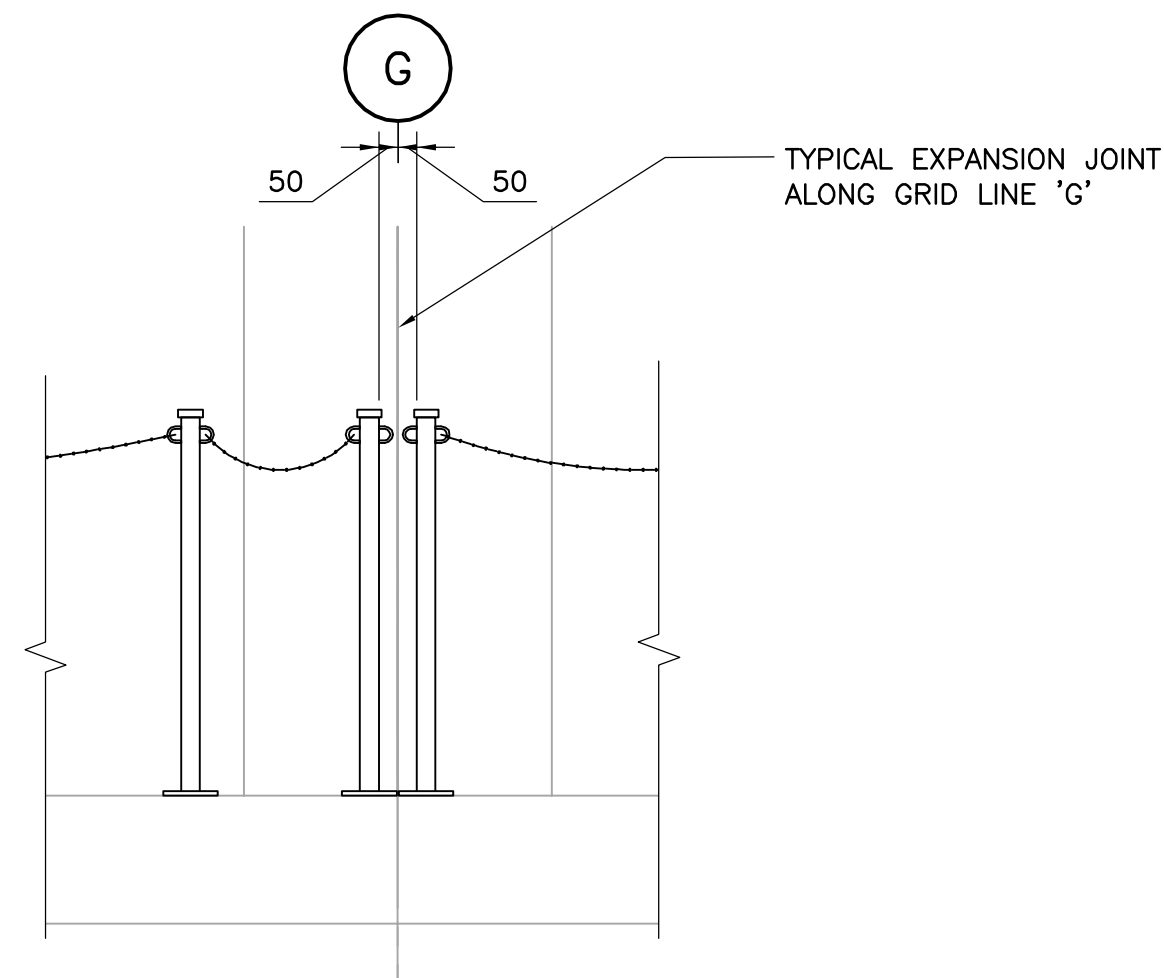


C C SECTION
S1.01 S1.02 1:75

NOTES:
 1. THE FRP MEMBER SIZES & CONNECTIONS SHOWN ON THESE DRAWINGS ARE APPROXIMATE & ARE TO BE DESIGNED BY THE FABRICATOR UNDER SEAL BY A PROFESSIONAL ENGINEER REGISTERED IN THE PROVINCE OF MANITOBA.
 2. ALL DIMENSIONS SHOWN THUS * SHALL BE VERIFIED BY THE FABRICATOR. DIMENSION CAN BE MODIFIED TO SUIT FABRICATOR'S DESIGN AS LONG AS ALL DIMENSIONS REMAIN EQUAL OVER THE ENTIRE LONGITUDINAL BAFFLE LENGTH.



1 EXPANSION JOINT DETAIL
1:20

B.M. ELEV.		 A Tyco International Ltd. Company		ENGINEER'S SEAL		 THE CITY OF WINNIPEG WATER AND WASTE DEPARTMENT ENGINEERING DIVISION	CITY FILE NUMBER
				DESIGNED BY: GGP	CHECKED BY: LLR		
		DRAWN BY: CMF	APPROVED BY: H.H.	2007/03/07	NEWPCC GRIT HANDLING UPGRADES CONTRACT 1		CITY DRAWING NUMBER
		HOR. SCALE: AS NOTED VERTICAL SCALE:		RELEASED FOR CONSTRUCTION BY: K. MARTENS	STRUCTURAL LONGITUDINAL SECTION		
00	ISSUED FOR TENDER	07/03/07	CMF	2006/10/24	2007/03/07	CONSULTANT DRAWING NO. S2.02	
NO.	REVISIONS	DATE	BY	DATE	DATE		