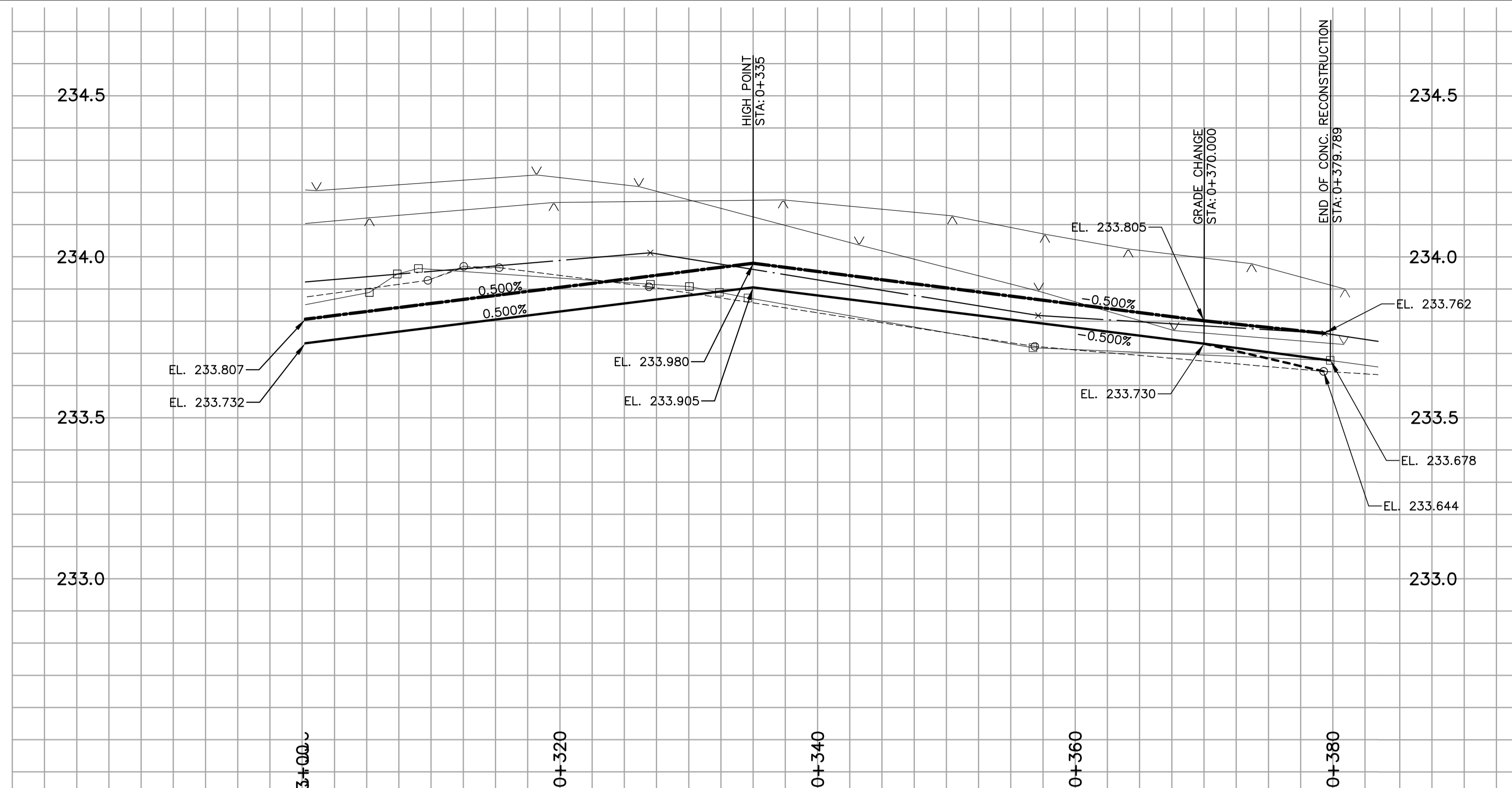
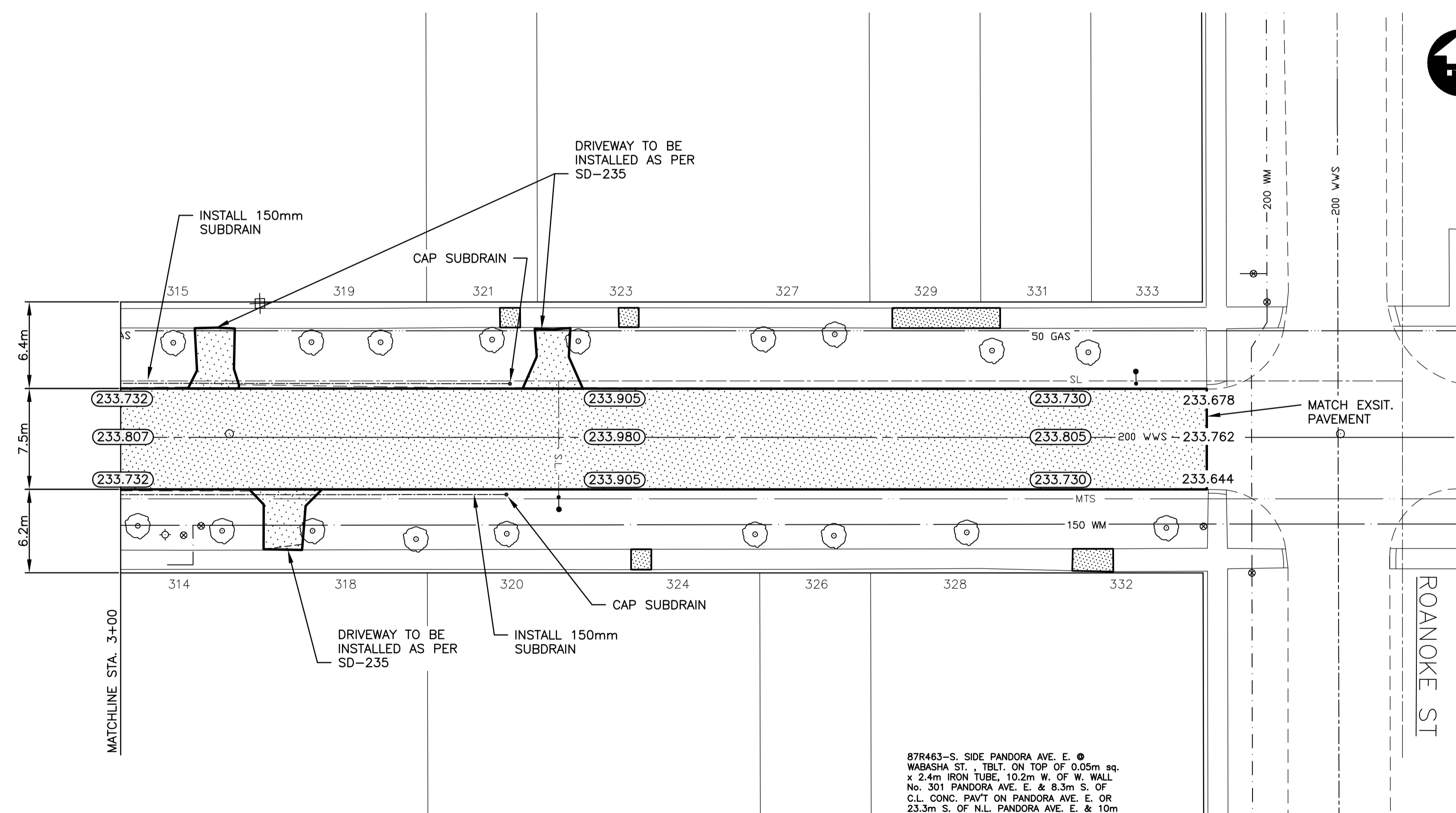
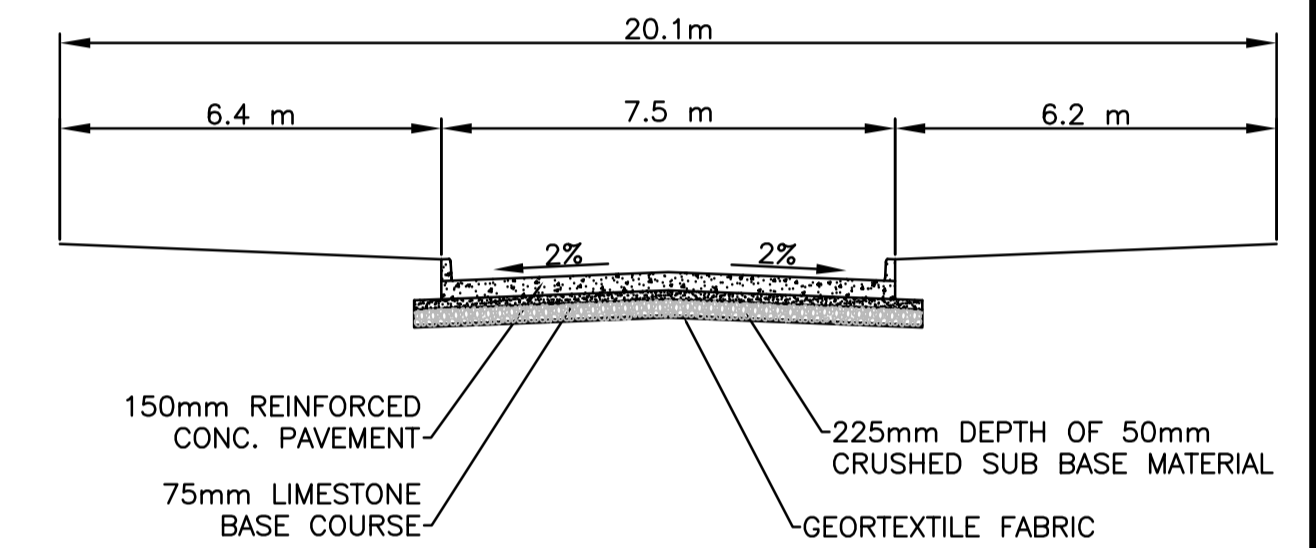


L = 310 m W = 7.5 m A = 2325 m²
 TYPE - CONCRETE RECONSTRUCTION



CONSTRUCTION NOTES:

1. CONTRACTOR SHALL TAKE PRECAUTIONARY STEPS TO AVOID DAMAGE FROM CONSTRUCTION ACTIVITIES TO EXISTING BOULEVARDS AND TREES WITHIN THE LIMITS OF CONSTRUCTION.
2. LOCATION OF EXISTING SERVICES ARE TO BE CONFIRMED IN THE FIELD BY THE CONTRACTOR.
3. TIE-INS TO BE VERIFIED IN THE FIELD BY THE CONTRACT ADMINISTRATOR.
4. LOCATION OF SIDEWALK RENEWALS TO BE FINALIZED IN THE FIELD BY THE CONTRACT ADMINISTRATOR
5. BOULEVARD REPLACEMENT TO BE FINALIZED IN THE FIELD AS DIRECTED BY THE CONTRACT ADMINISTRATOR.
6. 300mm SUB BASE TO BE ADDED WHERE OVER EXCAVATION IS REQUIRED AS DIRECTED IN THE FIELD BY THE CONTRACT ADMINISTRATOR.
7. SUBDRAINS SHALL BE INSTALLED AS PER SD-245.



METRIC
 WHOLE NUMBERS INDICATE MILLIMETRES
 DECIMALIZED NUMBERS INDICATE METRES

WARNING

- IF POWER EQUIPMENT OR EXPLOSIVES ARE TO BE USED FOR EXCAVATION ON THIS PROJECT THE CONTRACTOR MUST:
1. NOTIFY THE GAS COMPANY OF THE PROPOSED LOCATION OF EXCAVATION.
 2. TAKE PRECAUTION TO AVOID DAMAGE TO GAS COMPANY INSTALLATIONS
 SEE PROVINCIAL REGULATION 210/72 FOR DETAILS

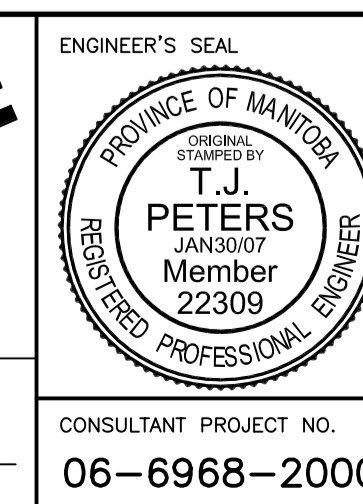
150 mm W.M.	WATERMAIN	150 mm W.M.	HYDRO	150 mm W.M.	WATERMAIN	150 mm W.M.
Hydrant	HYDRANT	Hydrant	M.T.S.	Hydrant	HYDRANT	Hydrant
Valve	VALVE	Valve	CONCRETE	Valve	VALVE	Valve
300 mm L.D.S.	LAND DRAINAGE SEWER	300 mm L.D.S.	ASPHALT	300 mm L.D.S.	LAND DRAINAGE SEWER	300 mm L.D.S.
250 mm W.W.S.	WASTE WATER SEWER	250 mm W.W.S.	PLANING	250 mm W.W.S.	WASTE WATER SEWER	250 mm W.W.S.
Manhole	MANHOLE	Manhole	SIDEWALK	Manhole	MANHOLE	Manhole
Catch Basin	CATCH BASIN	Catch Basin	PAVING STONES	Catch Basin	CATCH BASIN	Catch Basin
Curb Inlet	CURB INLET	Curb Inlet	PARTIAL DEPTH REPAIR	Curb Inlet	CATCH BASIN	Curb Inlet
Junctions	JUNCTIONS	Junctions	PROPERTY LINE	Junctions	CATCH BASIN	Junctions
Culvert	CULVERT	Culvert	SURVEY BAR	Culvert	CATCH BASIN	Culvert
Gas	GAS	Gas	PARAPLEGIC RAMP	Gas	CATCH BASIN	Gas
EXISTING	LEGEND-PLAN	PROPOSED	EXISTING	LEGEND-PLAN	PROPOSED	EXISTING
				LEGEND-PROFILE	PROPOSED	

UNDERGROUND STRUCTURES
 SIGNED BY DEREK SAEDAL 02/21/07
 SUPV. U/G STRUCTURES COMMITTEE DATE

NOTE:
 LOCATION OF UNDERGROUND STRUCTURES AS SHOWN ARE BASED ON THE BEST INFORMATION AVAILABLE. BUT NO GUARANTEE IS GIVEN THAT ALL EXISTING UTILITIES ARE SHOWN OR THAT THE GIVEN LOCATIONS ARE EXACT. CONFIRMATION OF EXISTENCE AND EXACT LOCATION OF ALL SERVICES MUST BE OBTAINED FROM THE INDIVIDUAL UTILITIES BEFORE PROCEEDING WITH CONSTRUCTION.

B.M. ELEV.	30-035	233.496	
DESIGNED BY	TJP		
DRAWN BY	PMW		
CHECKED BY	DPK		
REVIEWED ORIGINAL SIGNED BY	BY DPK 01/30/07		
HOR. SCALE	1:250		
VERTICAL	1:10		
NO. REVISIONS	DATE	BY	
2	ISSUED FOR TENDER	01/30/07	TJP
1	ISSUED FOR REVIEW	12/22/06	TJP
DATE	DECEMBER 2006		

RELEASED FOR CONSTRUCTION ORIGINAL SIGNED BY KEN TURKO
 DATE 01/30/07



THE CITY OF WINNIPEG
 PUBLIC WORKS DEPARTMENT

2007 RESIDENTIAL STREET RENEWAL PROGRAM
VICTORIA AVENUE EAST
 KANATA STREET TO ROANOKE STREET
 STA. 0+300 TO STA. 0+380

CITY DRAWING NUMBER
 SHEET 14 OF 14

CONSULTANT PROJECT NO.
 06-6968-2000