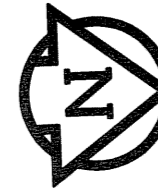


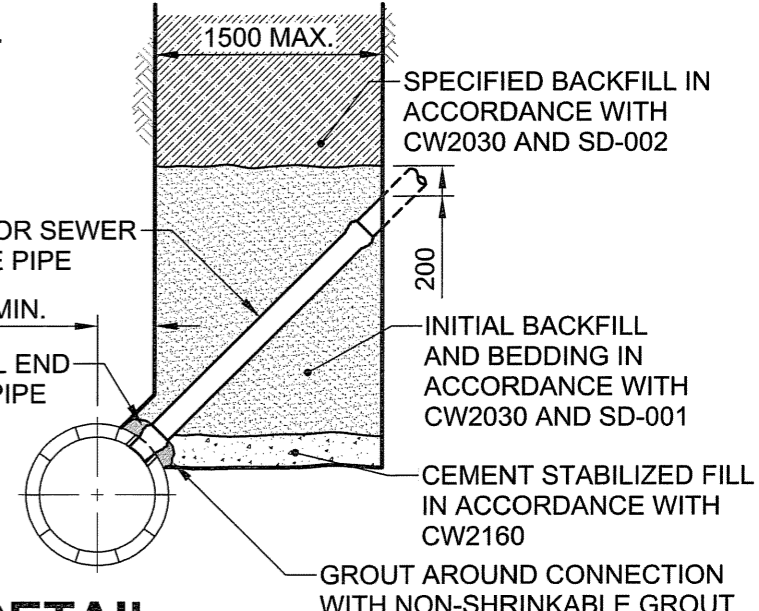
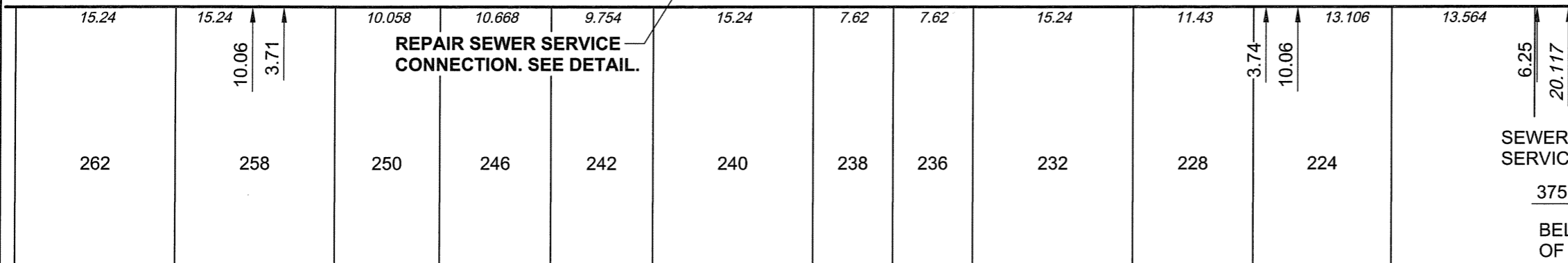
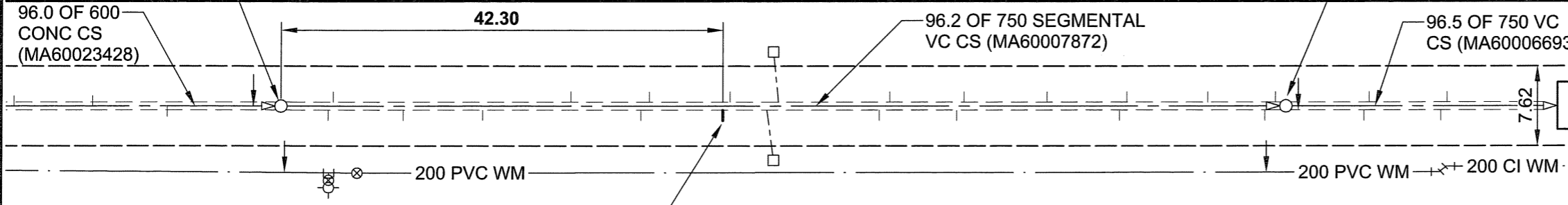
CENTENNIAL STREET



SEWER JUNCTION INFORMATION

REF. MH*	DIST FROM* REF. MH	SIZE*	CLOCK AT*
MH60006399	4.5	150Ø	02
MH60006399	5.0	150Ø	10
MH60006399	11.7	150Ø	02
MH60006399	19.3	150Ø	02
MH60006399	27.8	150Ø	10
MH60006399	34.5	150Ø	02
MH60006399	35.3	150Ø	10
MH60006399	42.3	150Ø	02
MH60006399	43.0	150Ø	10
MH60006399	46.5	200Ø	01
MH60006399	47.6	200Ø	11
MH60006399	57.2	150Ø	02
MH60006399	58.2	150Ø	10
MH60006399	64.6	150Ø	02
MH60006399	65.3	150Ø	10
MH60006399	73.2	150Ø	10
MH60006399	80.1	150Ø	02
MH60006399	80.8	150Ø	10
MH60006399	88.5	150Ø	10
MH60006399	93.9	150Ø	02
MH60006399	94.9	150Ø	10

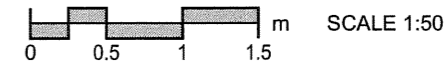
*JUNCTION INFORMATION FROM VIDEO INSPECTION



CONSTRUCTION NOTES:

1. LOCATE EXISTING SEWER SERVICE WITHIN REPAIR LIMITS BY DYE TRACING.

DETAIL



750mmØ SEGMENTAL VITRIFIED CLAY TILE
SEWER - SEWER SERVICE CONNECTION

BID OPPORTUNITY NO. 223-2007

WARNING

IF POWER EQUIPMENT OR EXPLOSIVES ARE TO BE USED FOR EXCAVATION ON THIS PROJECT, THE CONTRACTOR MUST:

- 1) NOTIFY THE GAS COMPANY OF THE PROPOSED LOCATION OF EXCAVATION.
 - 2) TAKE PRECAUTION TO AVOID DAMAGE TO GAS COMPANY INSTALLATIONS.
- SEE PROVINCIAL REGULATION 140/92 FOR DETAILS

METRIC
WHOLE NUMBERS INDICATE MILLIMETRES
DECIMALIZED NUMBERS INDICATE METRES

APECM
Certificate of Authorization
UMA Engineering Ltd.
No. 256 Expiry: April 30, 2007

LOCATION APPROVED UNDERGROUND STRUCTURES

BM 51-035 S.E. Cor. Kingsway & Beaverbrook St., Brass
ELEV 234.061m plug in 7.3m Conc. pile 2.5m N. of S.L.
Kingsway & 0.6m E. of E.L. Beaverbrook St.

SUPR. U/G STRUCTURES DATE COMMITTEE

NOTE:
LOCATION OF UNDERGROUND STRUCTURES AS SHOWN ARE BASED ON THE BEST INFORMATION AVAILABLE. BUT NO GUARANTEE IS GIVEN THAT ALL EXISTING UTILITIES ARE SHOWN OR THAT THE GIVEN LOCATIONS ARE EXACT. CONFIRMATION OF EXISTENCE AND EXACT LOCATION OF ALL SERVICES MUST BE OBTAINED FROM THE INDIVIDUAL UTILITIES BEFORE PROCEEDING WITH CONSTRUCTION.

NO.	ISSUED FOR CONSTRUCTION	YY/MM/DD	BY
0	ISSUED FOR CONSTRUCTION	07/03/22	ADL
	REVISIONS	YY/MM/DD	BY

UMA | AECOM

© 2006 UMA ENGINEERING LTD. ALL RIGHTS RESERVED.

DESIGNED BY	ALD	CHECKED BY	MJR
DRAWN BY	ADL	APPROVED BY	<i>[Signature]</i>
HOR. SCALE	1:500	RELEASED FOR CONSTRUCTION	<i>[Signature]</i>
VERT. SCALE	N/A	DATE	03/20/07
DATE	07/03/22		

PROFESSIONAL'S SEAL
PROVINCE OF MANITOBA
22 MARCH 2007
C. C. MACEY
REGISTERED ENGINEER

CONSULTANT DRAWING NO. 02
D265-215-00

THE CITY OF WINNIPEG
WATER AND WASTE DEPARTMENT

**2007 Watermain and Sewer Renewals
Contract 26**

Centennial Street
60m North of Kingsway
to 155m South of Academy Road

SHEET	02	OF	10
CITY DRAWING NUMBER	06003		
REV	0		

B SIZE 11" x 17" (279mm x 432mm) PLOT: 3/22/2007 3:09:03 PM UMA FILE NAME: D265-215-00_01-C-1002_RX.dwg Saved By: aleippi

UMA AECOM REVIEW IDR