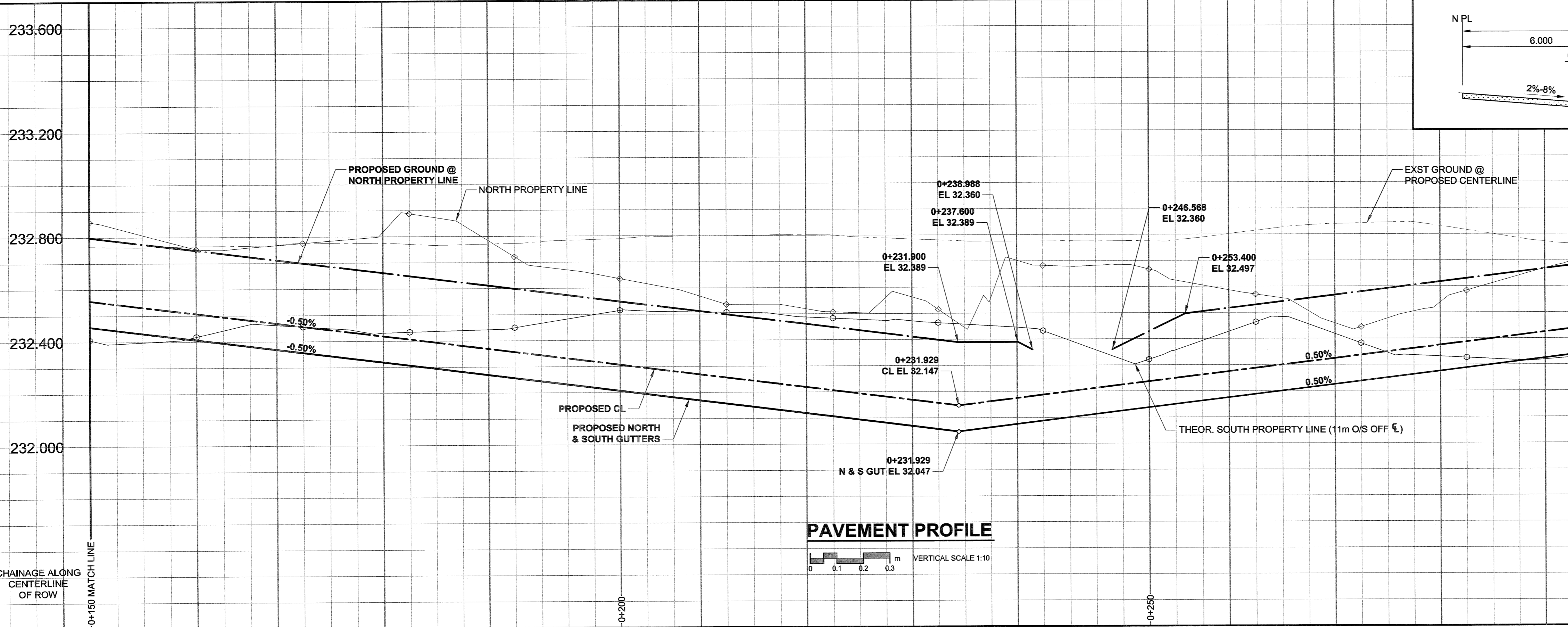


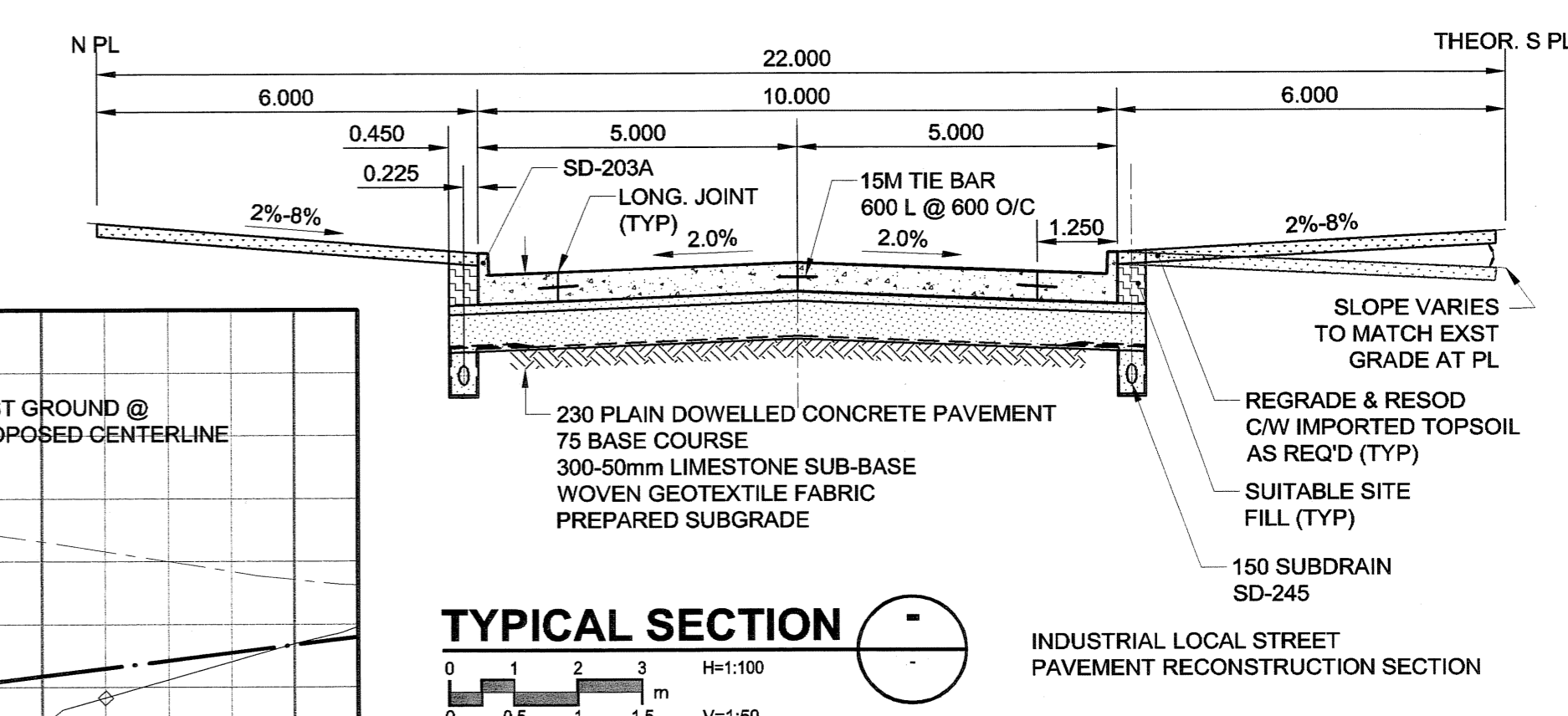
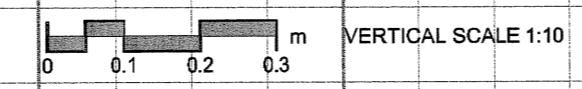
A1 SIZE 23.4" x 33.1" (594mm x 841mm)

PLOT: 07/03/28 3:05:09 PM

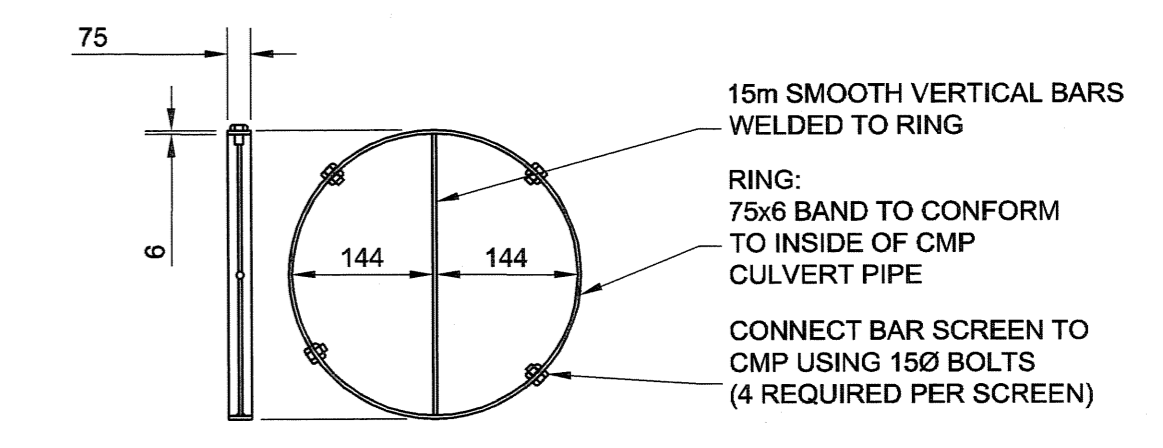
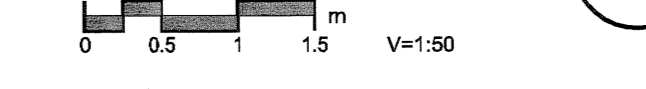
UMA AECOM REVIEW DRT CHK BID
UMA FILE NAME: 0265-393-00_01-CT1002_RX.dwg Saved By: coopark



PAVEMENT PROFILE

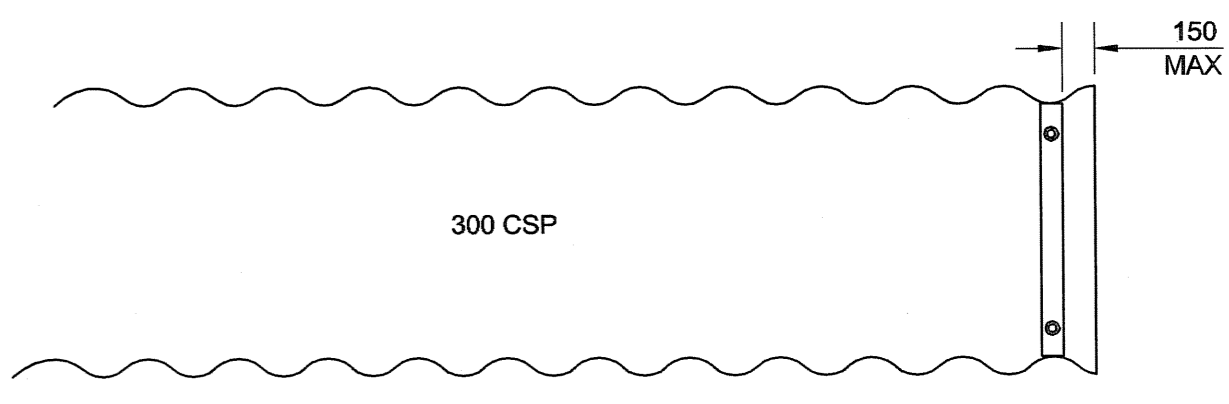


TYPICAL SECTION



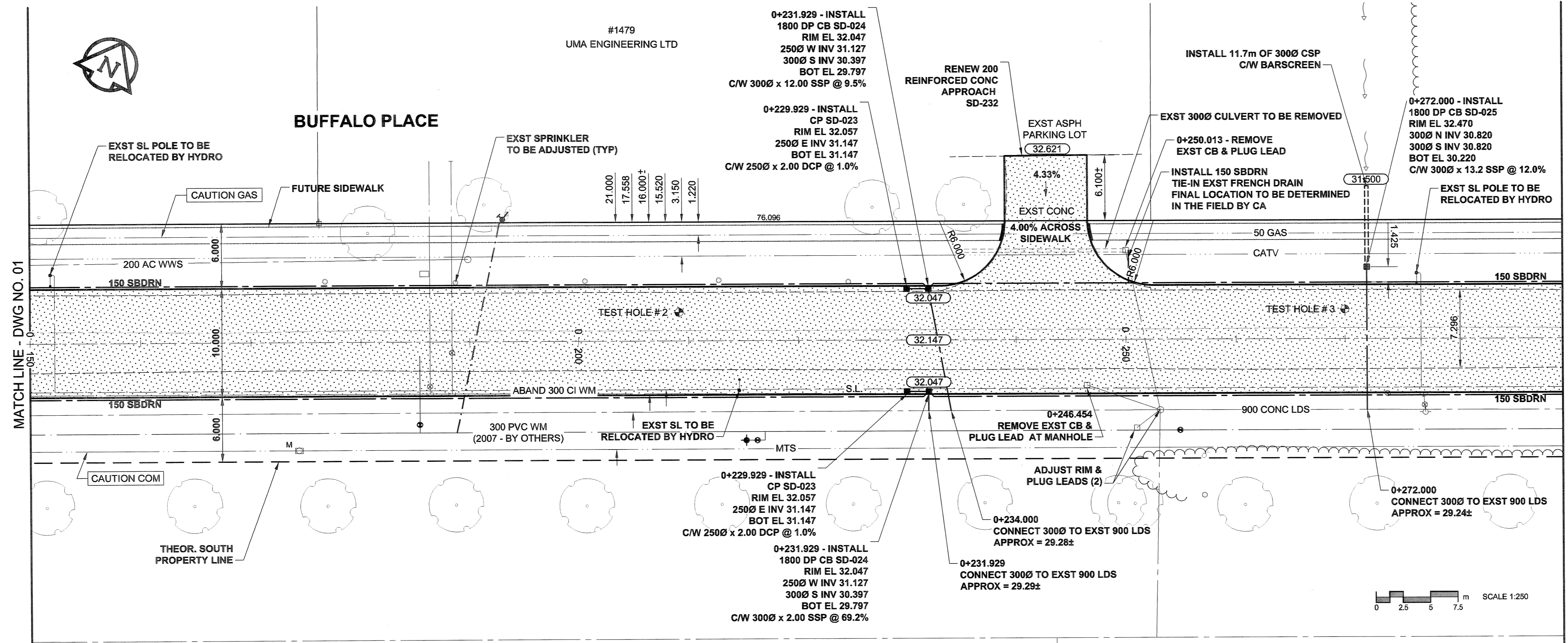
DETAIL

SCALE: N.T.S. CSP INLET



DETAIL

SCALE: N.T.S. BAR SCREEN (INLET)



MATCH LINE - DWG NO. 01

MATCH LINE - DWG NO. 03

- NOTES**
1. ADJUST MH AND CB RIMS TO NEW GRADES.
 2. CONTRACTOR TO EXERCISE CAUTION WHEN INSTALLING 150 SUBDRAIN TO PREVENT CROSSING CONFLICTS WITH EXST GAS SERVICES. LAMP STANDARDS, HYDRO POLES, AND ANCHORS MAY REQUIRE TEMPORARY SUPPORT/REMOVAL OR REPLACEMENT AT THE CONTRACTOR'S EXPENSE.
 3. CONTRACTOR SHALL TAKE PRECAUTIONARY STEPS TO PROTECT EXISTING BOULEVARD TREES WITHIN THE LIMITS OF CONSTRUCTION FROM DAMAGE FROM CONSTRUCTION ACTIVITIES AS OUTLINED IN THE SPECIFICATIONS.
 4. CONTRACTOR SHALL REGRADE EXST PRIVATE SIDEWALKS. LIMITS TO BE DETERMINED.
 5. THE LOCATION OF ALL SERVICES TO BE CONFIRMED IN THE FIELD BY THE CONTRACTOR.
 6. ADD 200.000m TO ABBREVIATED ELEVATIONS TO OBTAIN GEODETIC ELEVATIONS.

METRIC

WHOLE NUMBERS INDICATE MILLIMETRES
DECIMALIZED NUMBERS INDICATE METRES

NATURAL GAS	MANHOLE	CONCRETE PAVEMENT	LOCATION APPROVED
COMMUNICATION	CATCH BASIN / CATCH PIT	ASPHALT PAVEMENT	UNDERGROUND STRUCTURES
HYDRO	C & G INLET WITH BOX	CONC. SIDEWALK/MEDIAN	
CATV	TREE	PAVING STONE	
TRAFFIC SIGNALS	TH-12	GRAVEL	
LAND DRAINAGE SEWER	TEST HOLE	CURB RAMP	
SANITARY/COMBINED SEWER	PROPERTY LINE	PAVT PLANING/REMOVAL	
SSP/DCP	SURVEY BAR		
WATERMAIN	FENCE		
SUBDRAIN	BOC/EOPAVT		
DITCH	ELEVATION		
EXISTING	LEGEND - PLAN	EXISTING	LEGEND - PLAN
NEW	LEGEND - PLAN	NEW	LEGEND - PLAN

LOCATION APPROVED
UNDERGROUND STRUCTURES

DATE: 07/03/07

NOTE: LOCATION OF UNDERGROUND STRUCTURES AS SHOWN ARE BASED ON THE BEST INFORMATION AVAILABLE. BUT NO GUARANTEE IS GIVEN THAT ALL EXISTING UTILITIES ARE SHOWN OR THAT THE GIVEN LOCATIONS ARE EXACT. CONFIRMATION OF EXISTENCE AND EXACT LOCATION OF ALL SERVICES MUST BE OBTAINED FROM THE INDIVIDUAL UTILITIES BEFORE PROCEEDING WITH CONSTRUCTION.

BM: 05-006
ELEV: 233.688m

UMA AECOM

DESIGNED BY: *RMB*
DRAWN BY: *KJC*

CHECKED BY: *WJS*
APPROVED BY: *MM*

HOR. SCALE: 1:250
VERT. SCALE: AS SHOWN

DATE: 07/03/07

PROFESSIONAL'S SEAL

PROVINCE OF MANITOBA
REGISTERED PROFESSIONAL ENGINEER
R. P. BRUCE

CONSULTANT DRAWING NO.
0265-393-00_01-CT1002_RX

THE CITY OF WINNIPEG
PUBLIC WORKS DEPARTMENT
TRANSPORTATION ENGINEERING DIVISION

BUFFALO PLACE
OTTER STREET TO FENNEL STREET
RECONSTRUCTION

HORIZONTAL AND VERTICAL ALIGNMENT
FROM STA 0+150 TO STA 0+290

CITY DRAWING NUMBER: N/A
SHEET 2 OF 8
DRAWING No. 02
REV 0

BID OPPORTUNITY NO. 224-2007