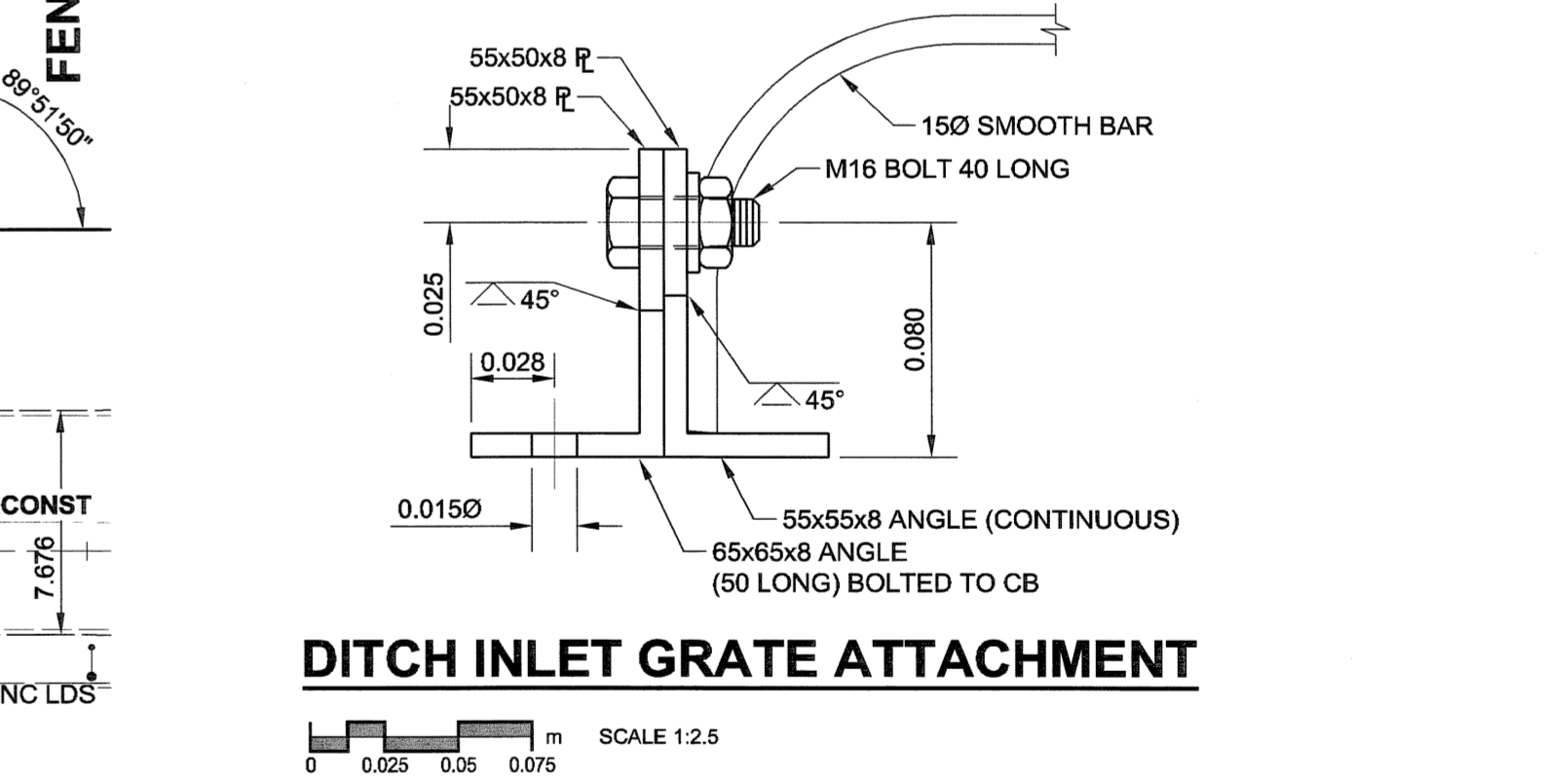
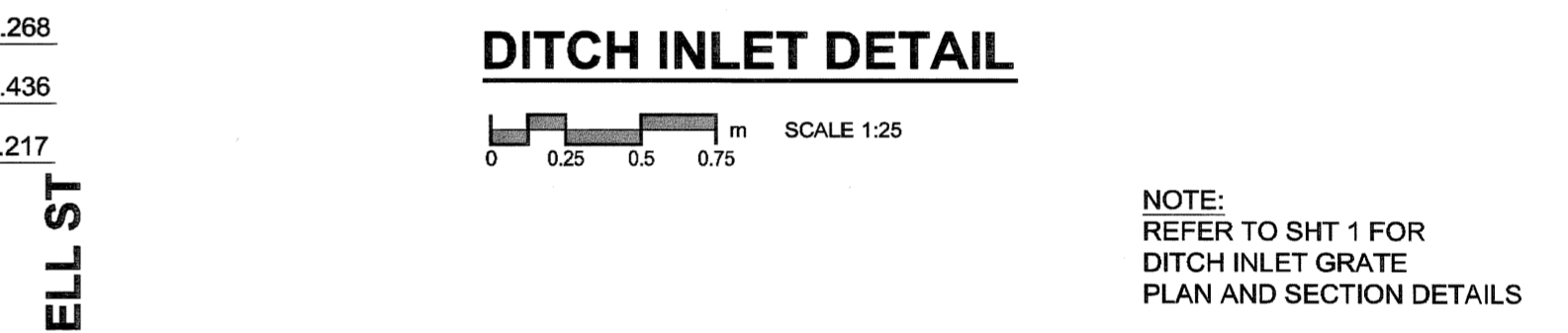
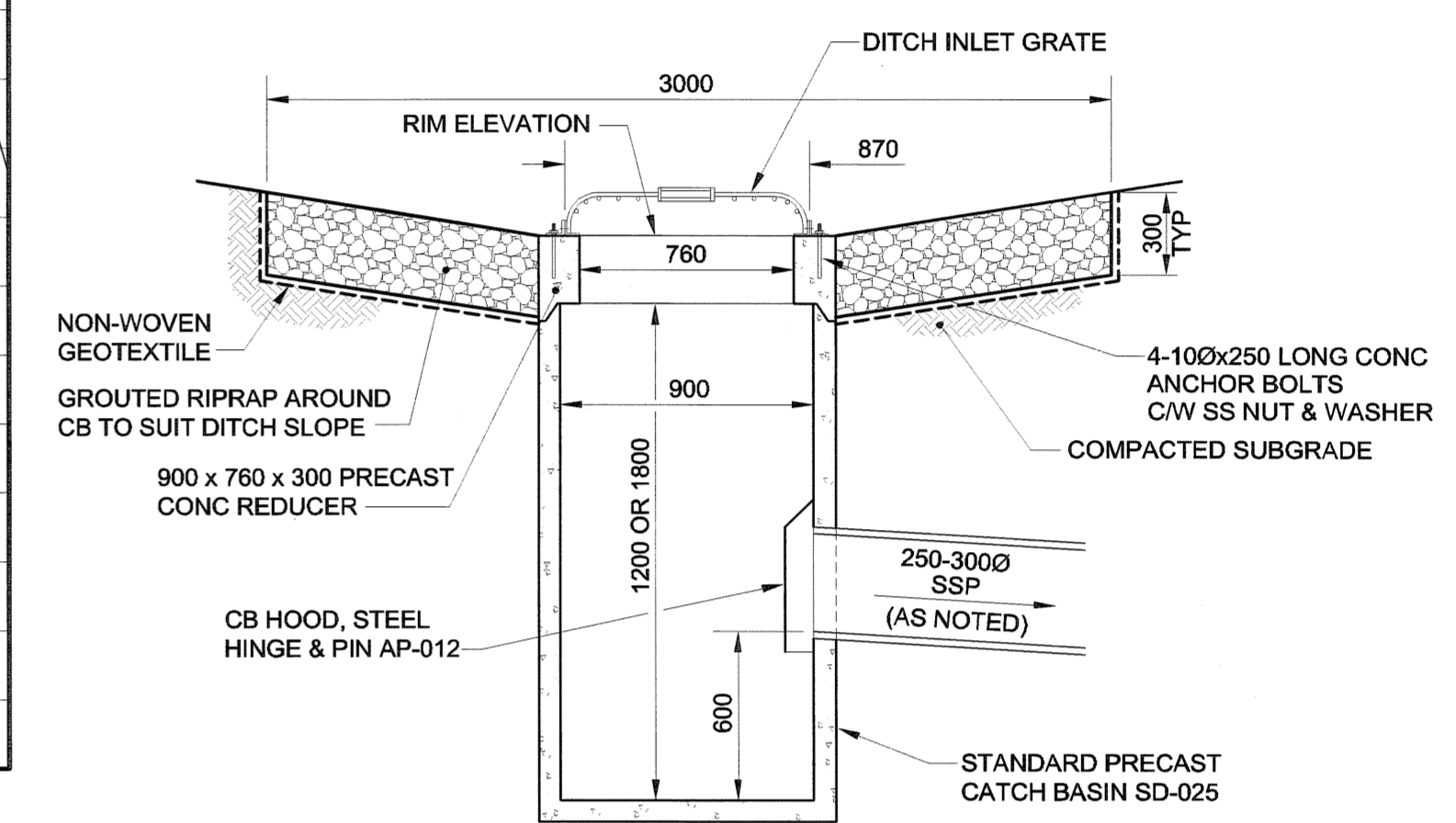
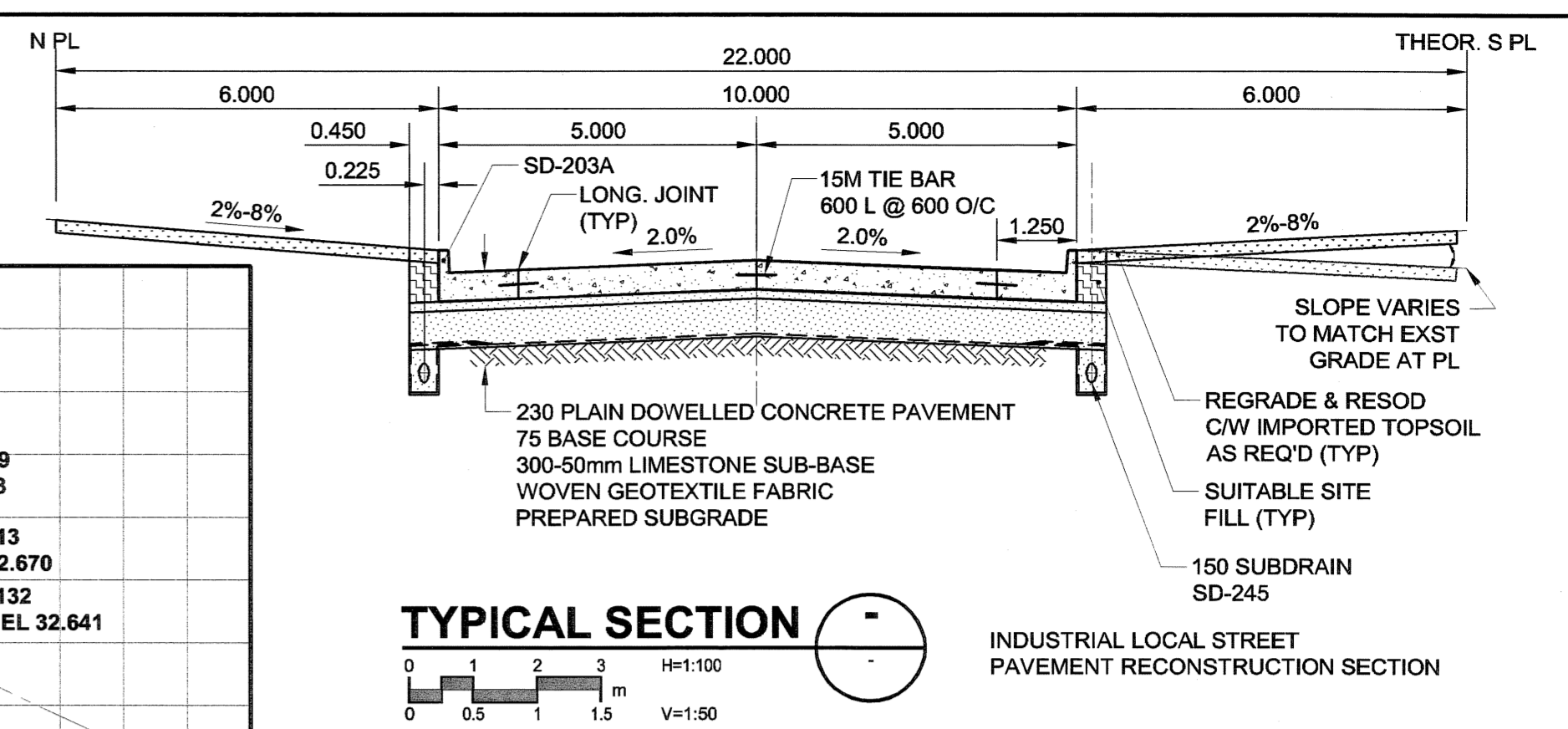
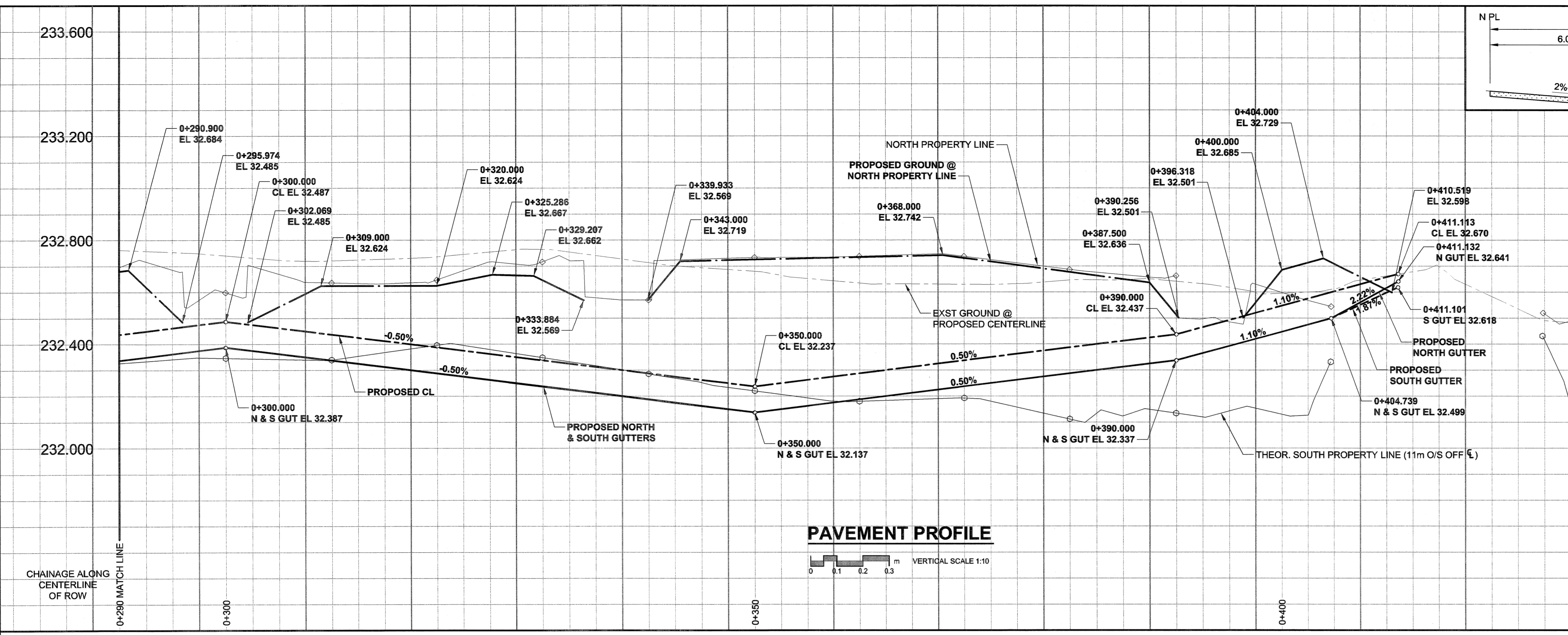


A1 SIZE 23.4" x 33.1" (594mm x 841mm)

PLOT: 07/03/20 3:49:42 PM

UMA/AECOM REVIEW DRFT CHK D/D

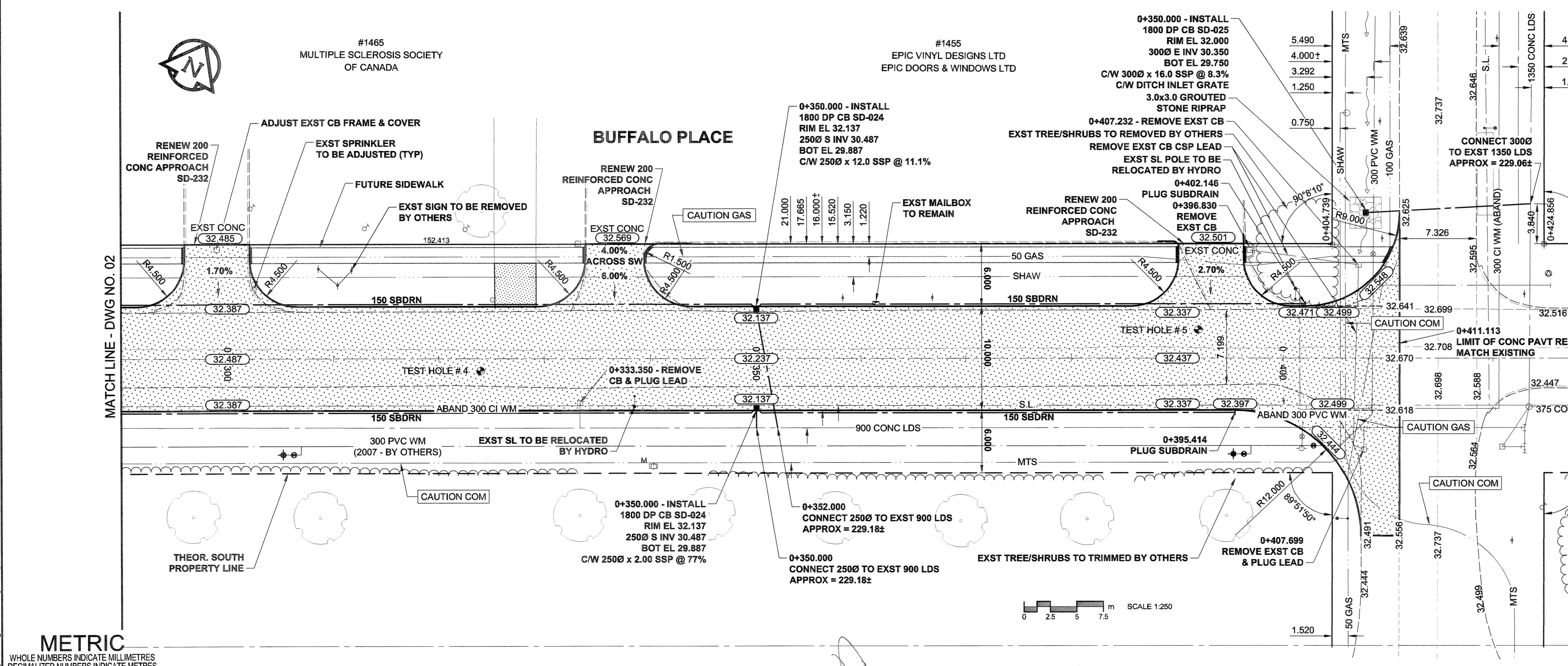


NOTES:

- ADJUST MH AND CB RIMS TO NEW GRADES.
- CONTRACTOR TO EXERCISE CAUTION WHEN INSTALLING 150 SUBDRAIN TO PREVENT CROSSING CONFLICTS WITH EXIST GAS SERVICES. LAMP STANDARDS, HYDRO POLES, AND ANCHORS MAY REQUIRE TEMPORARY SUPPORT/REMOVAL OR REPLACEMENT AT THE CONTRACTOR'S EXPENSE.
- CONTRACTOR SHALL TAKE PRECAUTIONARY STEPS TO PROTECT EXISTING BOULEVARD TREES WITHIN THE LIMITS OF CONSTRUCTION FROM DAMAGE FROM CONSTRUCTION ACTIVITIES AS OUTLINED IN THE SPECIFICATIONS.
- CONTRACTOR SHALL REGRADE EXIST PRIVATE SIDEWALKS. LIMITS TO BE DETERMINED.
- THE LOCATION OF ALL SERVICES TO BE CONFIRMED IN THE FIELD BY THE CONTRACTOR.
- ADD 200.000m TO ABBREVIATED ELEVATIONS TO OBTAIN GEODETIC ELEVATIONS.
- CONSTRUCT TEMP APPROACH OFF FENNELLS ST TO ACCESS #1455 EXISTING PARKING LOT.

UMA/AECOM
Certificate of Authorization
UMA Engineering Ltd.
No. 256 Expiry: April 30, 2007

BID OPPORTUNITY NO. 224-2007



EXISTING	LEGEND - PLAN	NEW	EXISTING	LEGEND - PLAN	NEW	EXISTING	LEGEND - PLAN	NEW
	NATURAL GAS			MANHOLE			CONCRETE PAVEMENT	
	COMMUNICATION			CATCH BASIN / CATCH PIT			ASPHALT PAVEMENT	
	HYDRO			C & G INLET WITH BOX			CONC. SIDEWALK/MEDIAN	
	CATV			TREE			PAVING STONE	
	TRAFFIC SIGNALS			TEST HOLE			GRAVEL	
	LAND DRAINAGE SEWER			PROPERTY LINE			CURB RAMP	
	SANITARY/COMBINED SEWER			SURVEY BAR			PAVT PLANING/REMOVAL	
	SSP/DCP			FENCE				
	WATERMAIN			BOC/EOPAVT				
	SUBDRAIN			ELEVATION				
	DITCH							

LOCATION APPROVED
UNDERGROUND STRUCTURES

NOTE:
LOCATION OF UNDERGROUND STRUCTURES AS SHOWN ARE BASED ON THE BEST INFORMATION AVAILABLE. BUT NO GUARANTEE IS GIVEN THAT ALL EXISTING UTILITIES ARE SHOWN OR THAT THE GIVEN LOCATIONS ARE EXACT. CONFIRMATION OF EXISTENCE AND EXACT LOCATION OF ALL SERVICES MUST BE OBTAINED FROM THE INDIVIDUAL UTILITIES BEFORE PROCEEDING WITH CONSTRUCTION.

BM 05-006
ELEV 233.888m

UMA | AECOM

DESIGNED BY: *RPS*
DRAWN BY: *KLC*

CHECKED BY: *WJS*
APPROVED BY: *M*

HOR. SCALE: 1:250
VERT. SCALE: AS SHOWN

DATE: 07/03/07

PROFESSIONAL'S SEAL
R.P. BRUCE
REGISTERED PROFESSIONAL ENGINEER

CONSULTANT DRAWING NO.
0265-393-00_01-CT1003_RX

THE CITY OF WINNIPEG
PUBLIC WORKS DEPARTMENT
TRANSPORTATION ENGINEERING DIVISION

BUFFALO PLACE
OTTER STREET TO FENNELLS STREET
RECONSTRUCTION

CITY DRAWING NUMBER: N/A
SHEET 3 OF 8
DRAWING No. 03
REV 0

HORIZONTAL AND VERTICAL ALIGNMENT
FROM STA 0+290 TO FENNELLS ST