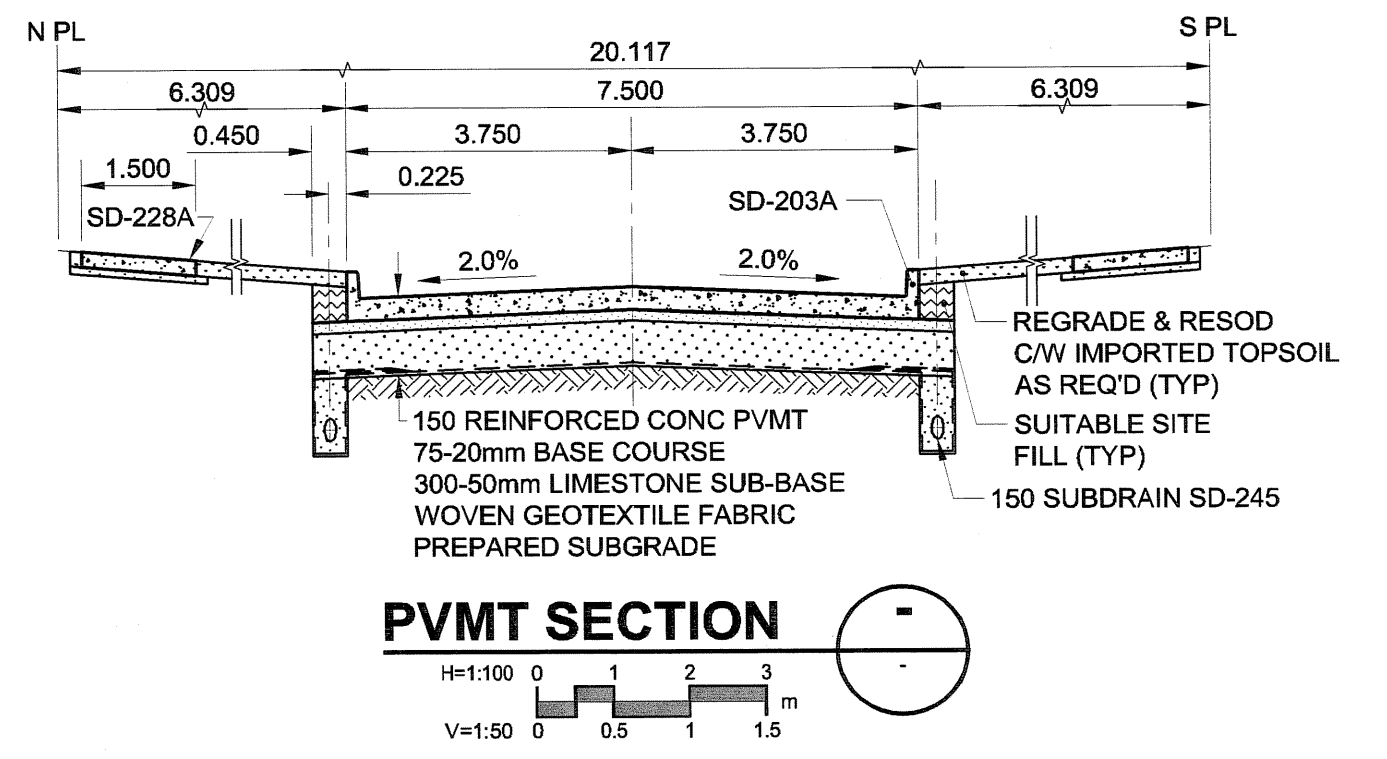
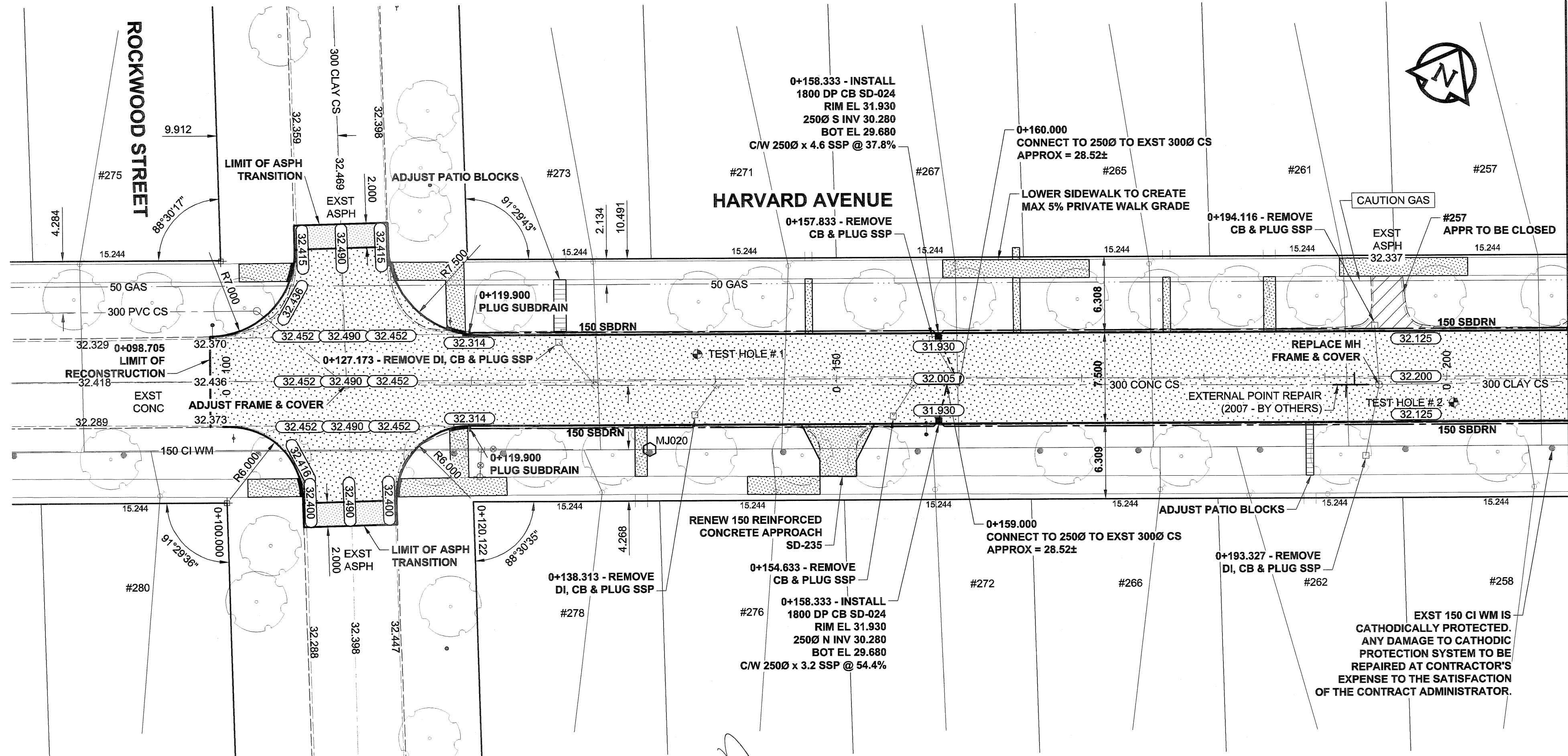
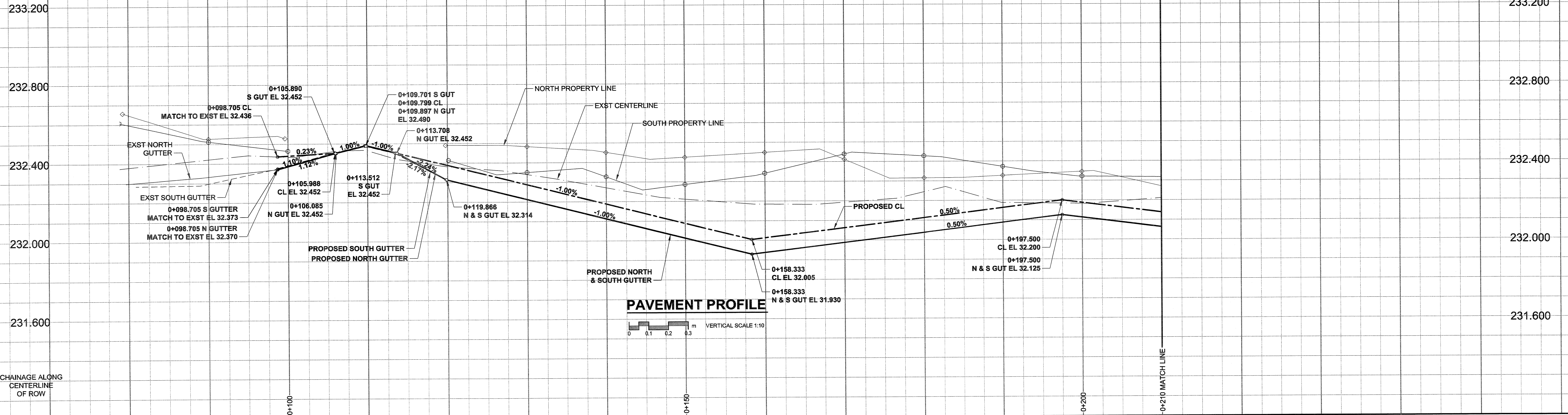


A1 SIZE 23.4" x 33.1" (594mm x 841mm)



- NOTES**
- ADJUST MH AND CB RIMS TO NEW GRADES.
  - CONTRACTOR TO EXERCISE CAUTION WHEN INSTALLING 150 SUBDRAIN TO PREVENT CROSSING CONFLICTS WITH EXST GAS SERVICES.
  - LAMP STANDARDS, HYDRO POLES, AND ANCHORS MAY REQUIRE TEMPORARY SUPPORT/REMOVAL OR REPLACEMENT AT THE CONTRACTOR'S EXPENSE.
  - CONTRACTOR SHALL TAKE PRECAUTIONARY STEPS TO PROTECT EXISTING BOULEVARD TREES WITHIN THE LIMITS OF CONSTRUCTION FROM DAMAGE FROM CONSTRUCTION ACTIVITIES AS OUTLINED IN THE SPECIFICATIONS.
  - CONTRACTOR SHALL REGRADE EXST PRIVATE SIDEWALKS. LIMITS TO BE DETERMINED.
  - THE LOCATION OF ALL SERVICES TO BE CONFIRMED IN THE FIELD BY THE CONTRACTOR.
  - ADD 200.00mm TO ABBREVIATED ELEVATIONS TO OBTAIN GEODETIC ELEVATIONS.
  - CURB HEIGHT TO BE REDUCED TO 40mm AT PRIVATE APPROACHES SD-202B.

**APGM**  
Certificate of Authorization  
UMA Engineering Ltd.  
No. 256 Expiry: April 30, 2007  
BID OPPORTUNITY NO. 224-2007

**METRIC**  
WHOLE NUMBERS INDICATE MILLIMETRES  
DECIMALIZED NUMBERS INDICATE METRES

EXISTING	LEGEND - PLAN	NEW	EXISTING	LEGEND - PLAN	NEW	EXISTING	LEGEND - PLAN	NEW
○	NATURAL GAS	○	MANHOLE	●	TJ001	○	MONITORING STATION	○
□	COMMUNICATION	□	CATCH BASIN / CATCH PIT	■		○	ANODE	○
—	HYDRO	—	C & G INLET WITH BOX	—		○	CONCRETE PAVEMENT	○
—	CATV	—	TREE	—		○	ASPHALT PAVEMENT	○
—	TRAFFIC SIGNALS	—	TEST HOLE	—		○	CONC. SIDEWALK/MEDIAN	○
—	LAND DRAINAGE SEWER	—	PROPERTY LINE	—		○	PAVING STONE	○
—	SANITARY/COMBINED SEWER	—	SURVEY BAR	—		○	GRAVEL	○
—	SSP/DCP	—	FENCE	—		○	CURB RAMP	○
—	WATERMAIN	—	BOC/EOPAVT	—		○	PAVT PLANING/REMOVAL	○
—	SUBDRAIN	—	ELEVATION	—		○		○
—	DITCH	—		—		○		○

**LOCATION APPROVED**  
UNDERGROUND STRUCTURES

DATE: 07/03/30

**NOTE:**  
LOCATION OF UNDERGROUND STRUCTURES AS SHOWN ARE BASED ON THE BEST INFORMATION AVAILABLE. BUT NO GUARANTEE IS GIVEN THAT ALL EXISTING UTILITIES ARE SHOWN OR THAT THE GIVEN LOCATIONS ARE EXACT. CONFIRMATION OF EXISTENCE AND EXACT LOCATION OF ALL SERVICES MUST BE OBTAINED FROM THE INDIVIDUAL UTILITIES BEFORE PROCEEDING WITH CONSTRUCTION.

DESIGNED BY: *R.P.*  
DRAWN BY: *KIC*

CHECKED BY: *UKS*  
APPROVED BY: *MU*

HOR. SCALE: 1:250  
VERT. SCALE: AS SHOWN

DATE: 07/03/30

PROFESSIONAL'S SEAL  
R. P. BRUCE  
REGISTERED PROFESSIONAL ENGINEER

**THE CITY OF WINNIPEG**  
PUBLIC WORKS DEPARTMENT  
TRANSPORTATION ENGINEERING DIVISION

**HARVARD AVENUE**  
ROCKWOOD STREET TO WILTON STREET  
RECONSTRUCTION

CITY DRAWING NUMBER: N/A  
SHEET: 4 OF 8  
DRAWING No.: 04  
REV: 0

HORIZONTAL AND VERTICAL ALIGNMENT  
FROM ROCKWOOD ST TO STA 0+210

PLOT: 07/03/28 3:08:22 PM  
UMA AECOM REVIEW DRFT CHK DD  
UMA FILE NAME: 0265-393-00\_01-CT1007\_RX.dwg Saved By: cooperk