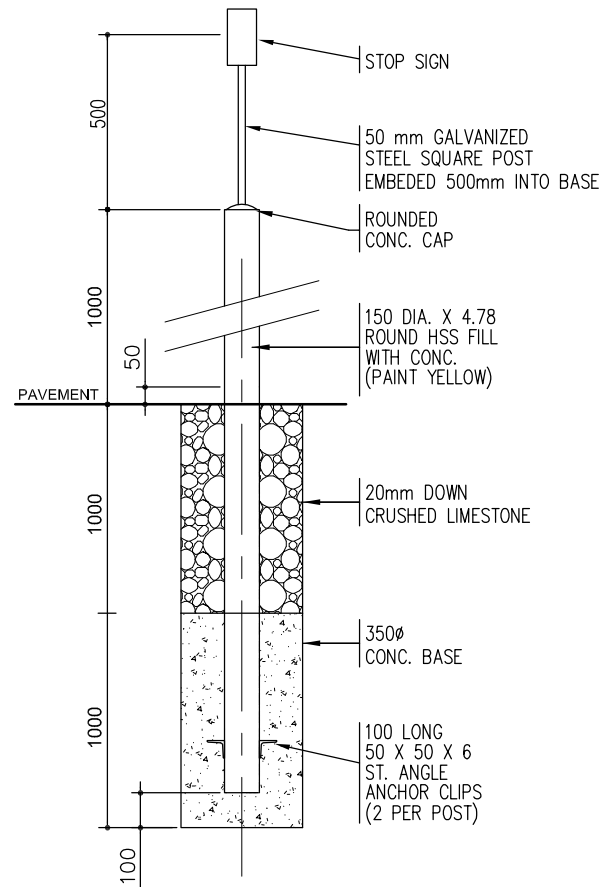
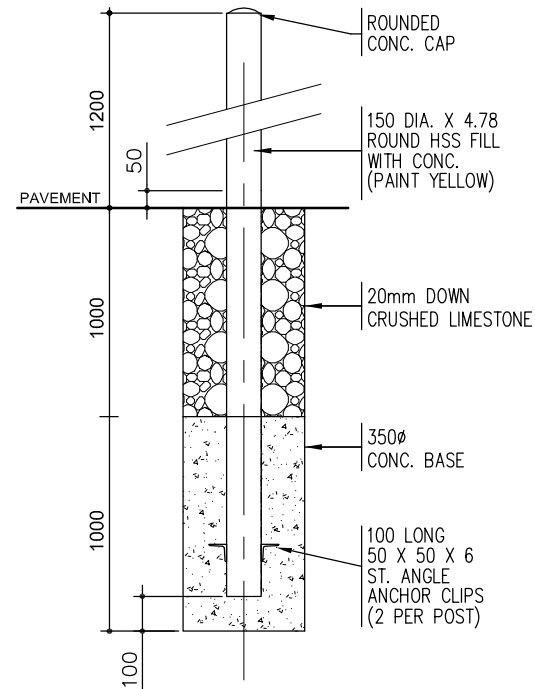


NOTE:
TOPSOIL AND SEED SHALL BE IN ACCORDANCE WITH
CW3510-R7, CW3520-R5 & CW3540-R2.

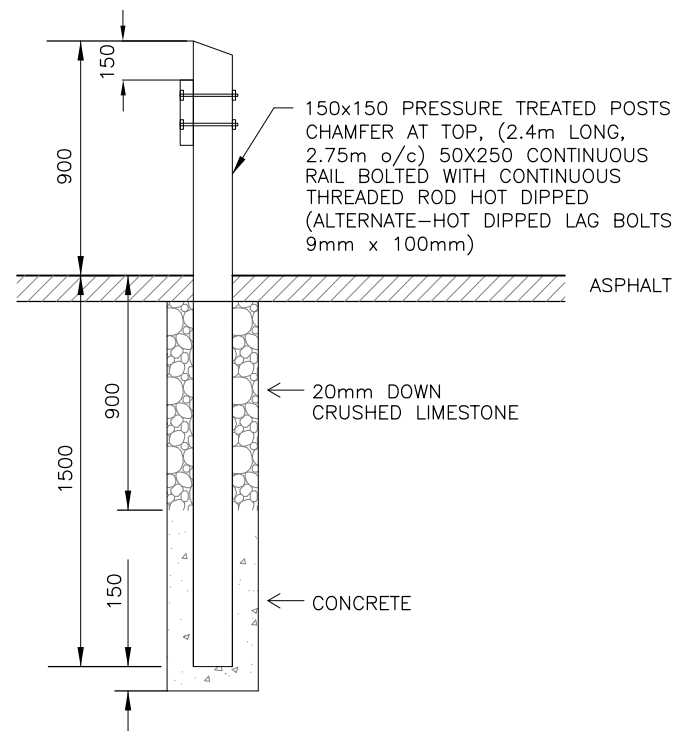
1 SWALE CROSS-SECTION
N.T.S.



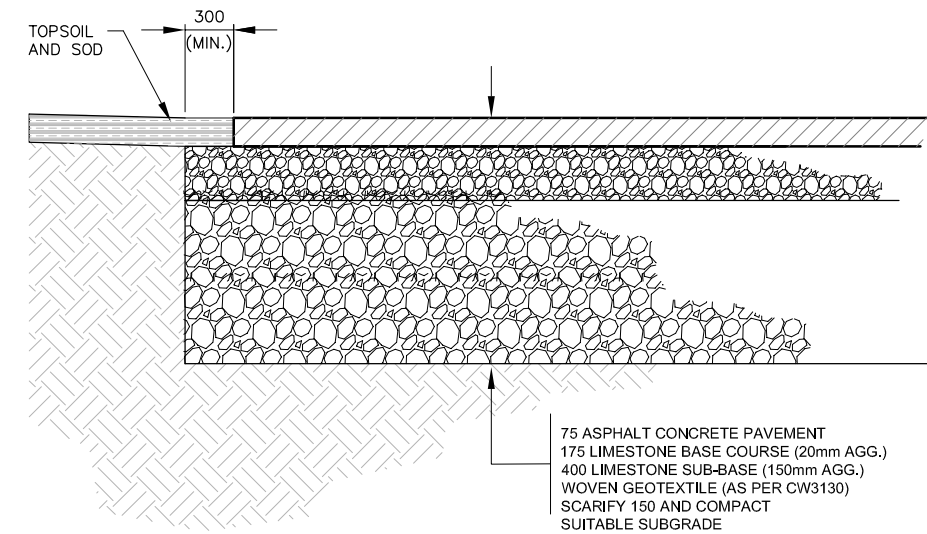
3 SIGN POST BASE/MOUNTING DETAIL
N.T.S.



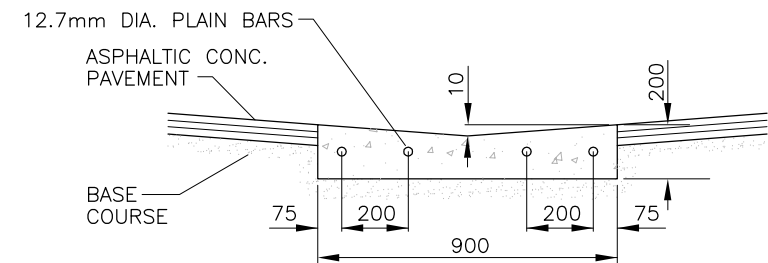
4 BOLLARD DETAIL
N.T.S.



5 PARKING FENCE DETAIL
N.T.S.



HEAVY DUTY PAVEMENT STRUCTURE
N.T.S.



SECTION A-A

2 CONCRETE CARRY-THROUGH
N.T.S.

150 mm WM	WATERMAIN	150 mm WM	HYDRO	150 mm WM	WATERMAIN
+	HYDRANT VALVE	+	MTS CONCRETE	+	HYDRANT VALVE
300 mm LDS	LAND DRAINAGE SEWER	300 mm LDS	LIMIT OF ASPHALT	300 mm LDS	SEWER
250 mm CS	COMBINED SEWER	250 mm CS	CURB RENEWAL	300 mm LDS	300 mm LDS
○	MANHOLE	●	ASPHALT		
□	CATCH BASIN (CB)	+	ELEVATIONS	31.000	SOUTH/EAST R
△	CATCH PIT (CP)	+	PROPERTY LINE		NORTH/WEST R
△	SIGN	+	SURVEY BAR		○ PROFILE
○	LAMP STANDARD	○	CURB STOP		SOUTH/EAST GUTTER
○	GAS	○	RAMP CURB		NORTH/WEST GUTTER
EXISTING	LEGEND - PLAN	NEW	EXISTING	LEGEND - PLAN	NEW
EXISTING	LEGEND - PROFILE	NEW	EXISTING	LEGEND - PROFILE	NEW

LOCATION APPROVED
UNDERGROUND STRUCTURES

SUPR. U/G STRUCTURES DATE COMMITTEE

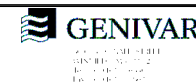
NOTE:
LOCATION OF UNDERGROUND STRUCTURES AS SHOWN ARE BASED ON THE BEST INFORMATION AVAILABLE. BUT NO GUARANTEE IS GIVEN THAT ALL EXISTING UTILITIES ARE SHOWN OR THAT THE GIVEN LOCATIONS ARE EXACT. CONFIRMATION OF EXISTENCE AND EXACT LOCATION OF ALL SERVICES MUST BE OBTAINED FROM THE INDIVIDUAL UTILITIES BEFORE PROCEEDING WITH CONSTRUCTION.

B.M.(39-037) 235.778m
W. SIDE OF WOODLAWN ST. N. OF NESS AVE., TBLT IN E. CONC. FOUNDATION OF ST.JAMES CIVIC CENTRE, 18m N. OF S.E. CORNER OF BLDG & 0.3m BELOW CONC. BLOCK.

DESIGNED BY D.T.B. CHECKED BY B.D.E.
DRAWN BY D.T.B. APPROVED BY D.T.B.
HOR. SCALE: N.T.S.

ISSUED FOR TENDER 07/05/02 D.T.B.
NO. REVISIONS DATE BY

DATE MAY 2, 2007



ENGINEER'S SEAL



THE CITY OF WINNIPEG
PUBLIC WORKS DEPARTMENT

ST. JAMES CIVIC CENTRE
PROPOSED EAST PARKING LOT
MISCELLANEOUS DETAILS

CITY DRAWING NUMBER
227-2007-C03

SHEET 3 OF 4

REV.
3 0

CONSULTANT DRAWING NO.
07043C03

METRIC
WHOLE NUMBERS INDICATE MILLIMETRES
DECIMALIZED NUMBERS INDICATE METRES

