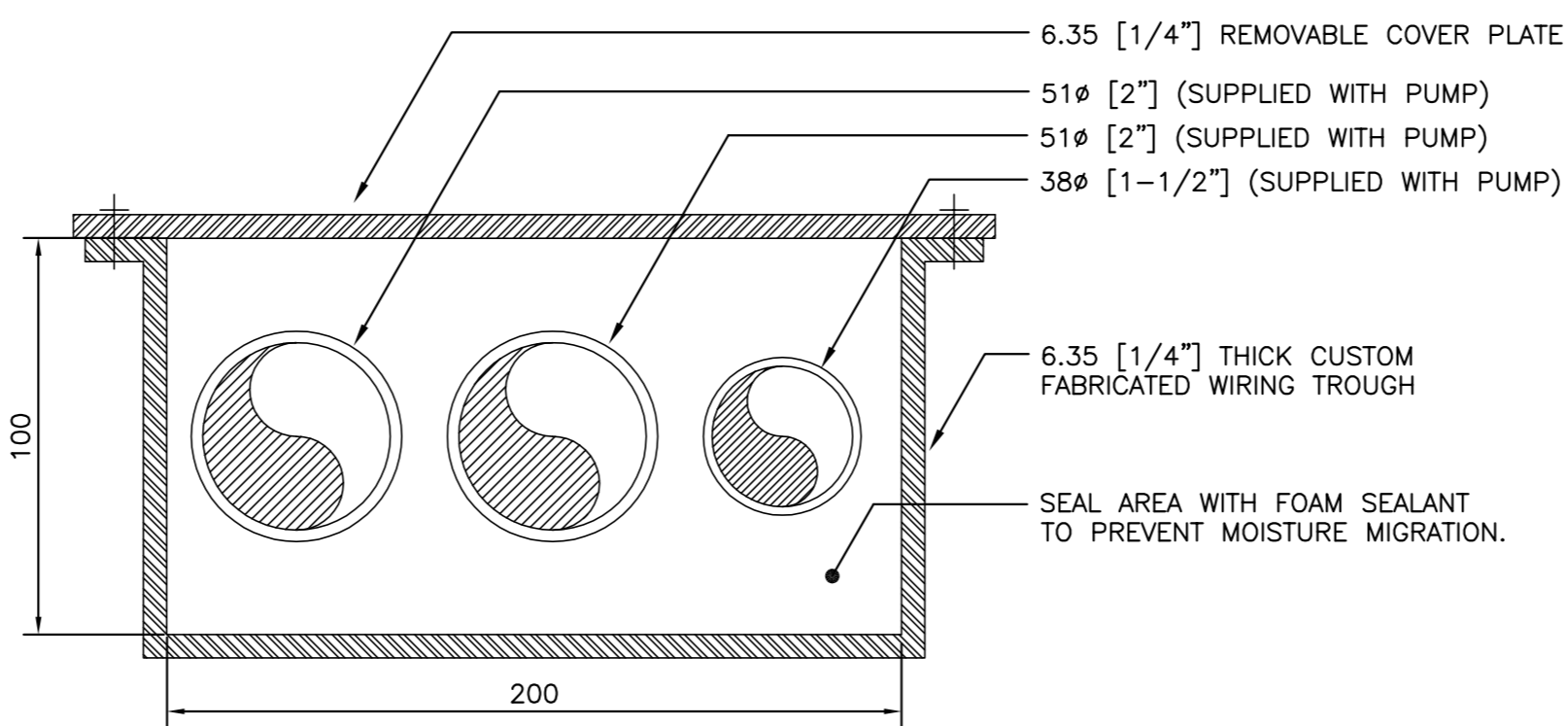
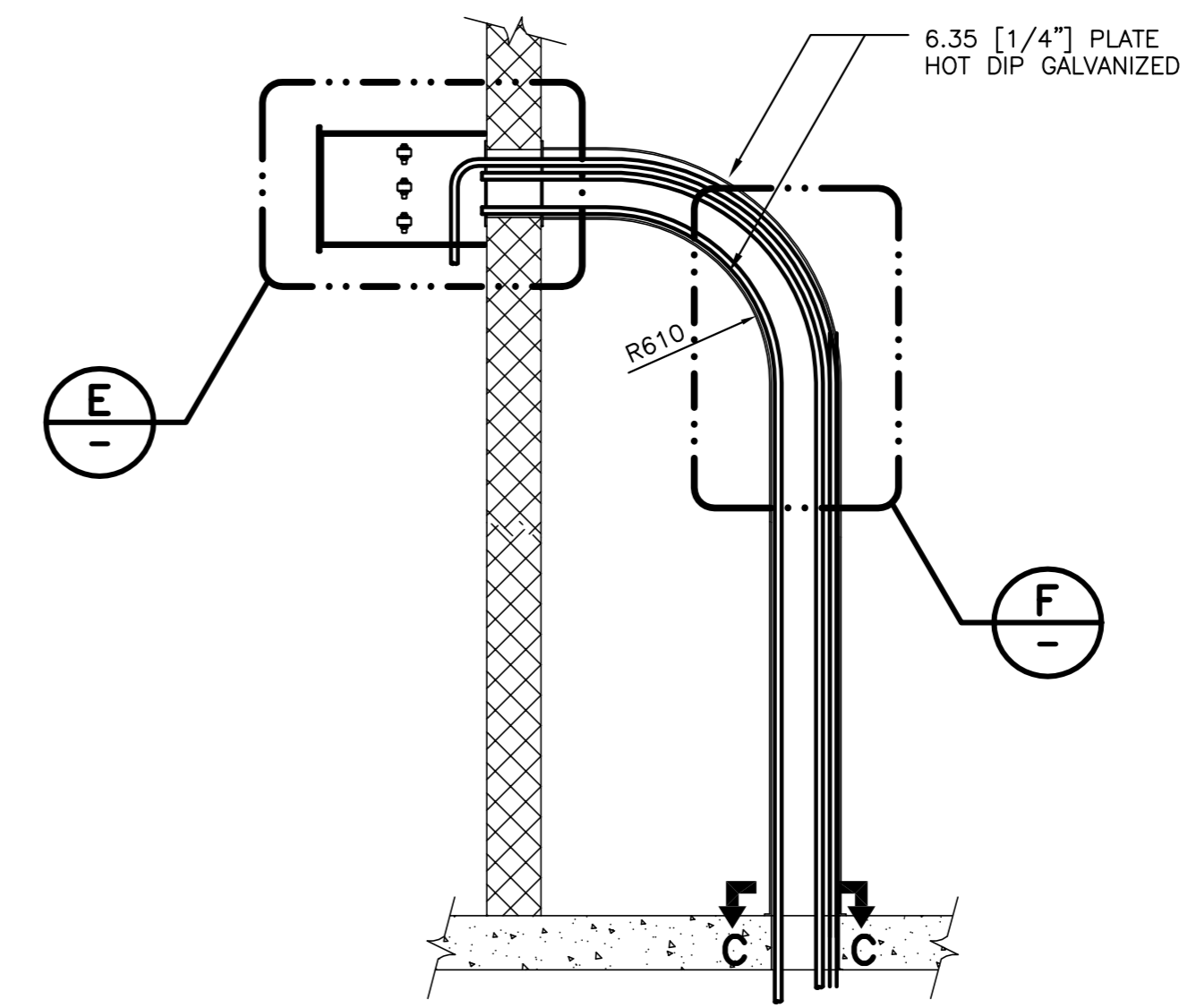


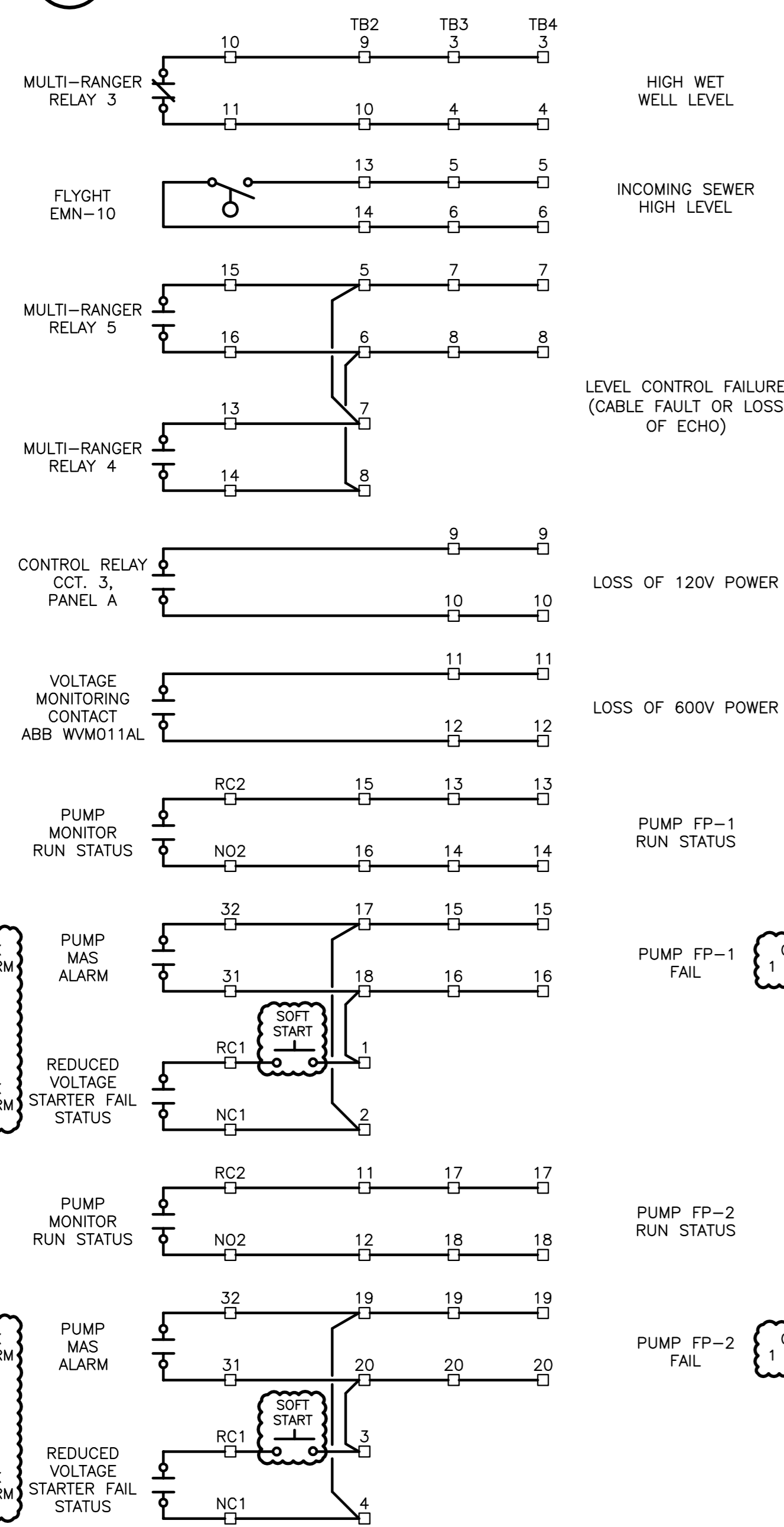
A ULTRASONIC TRANSDUCER DETAIL
SCALE: N.T.S.



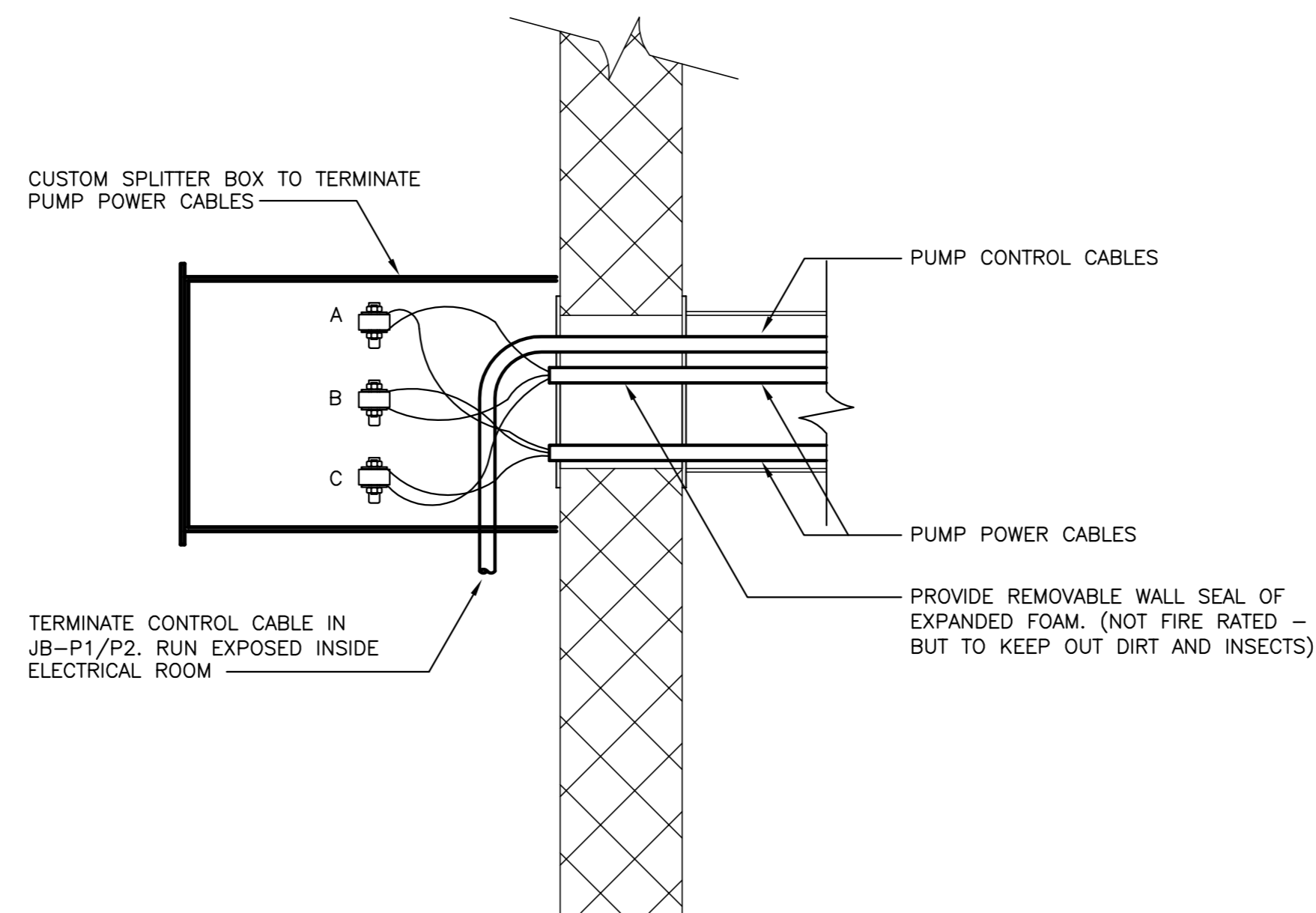
C SECTION 'C-C'
SCALE: N.T.S.



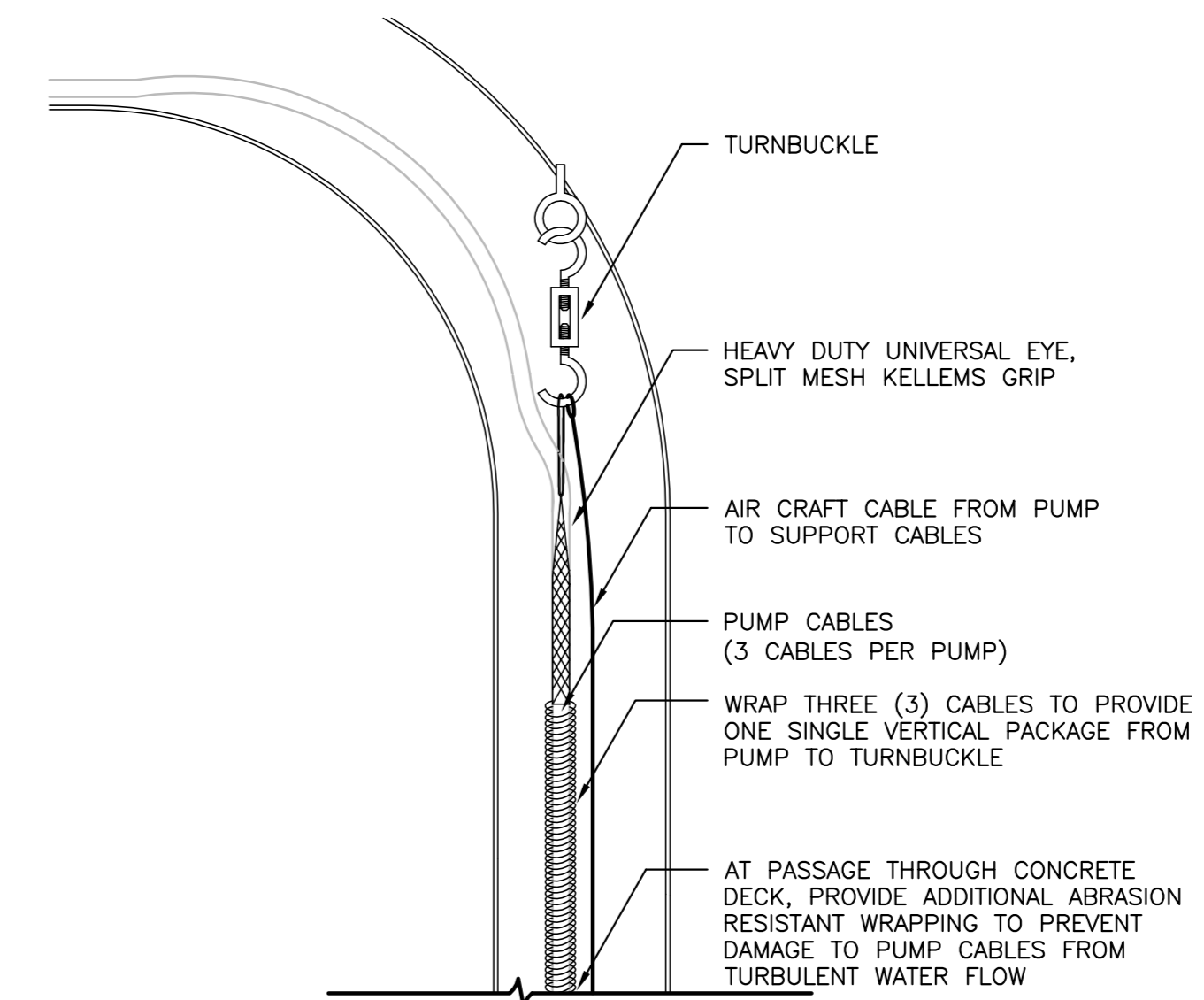
D SECTION
SCALE: N.T.S.



B CONTROL ELEMENTARY DIAGRAMS
SCALE: N.T.S.



E DETAIL
SCALE: N.T.S.



F SECTION DETAIL
SCALE: N.T.S.

- LEGEND:**
- () CONDUCTOR IDENTIFICATION
 - STARTER TERMINALS
 - UC TERMINALS
 - DEVICE TERMINALS
 - UC UNIT CONTROLLER
 - L LOCAL OPERATOR CONTROLS
 - FIELD WIRING
 - PANEL WIRING
 - WIRE CONNECTION

NOTES:
1. -

01	21/06/07	Issued for Addendum No.1 By City of Winnipeg	GCN	DDW	REW
00	05/04/07	Issued for Tender and Construction By City of Winnipeg	GCN	DDW	REW
0C	05/04/07	Issued for Review to City of Winnipeg	GCN	DDW	REW
0B	04/07/06	Issued with Contract C5 as Reference Only	GCN	AP	REW
0A	09/06/06	ISSUED FOR REVIEW, 90% COMPLETE	GCN	AP	REW
NO.	DATE	REVISIONS	BY	CHKD.	APP.

KGS GROUP

SUBCONSULTANT DWG NO.:
C of A

DESIGNED BY: AP
CHECKED BY: REW
DRAWN BY: GCN
APPROVED BY: REW
SCALE: AS NOTED
DATE: MAY, 2006

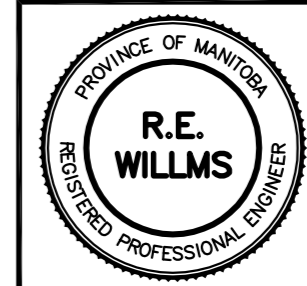
KGS GROUP SUBMITTED BY: RICK CARSON

OWNER: **MANITOBA FLOODWAY AUTHORITY**

PROJECT: **RED RIVER FLOODWAY EXPANSION**

PHASE: MAIN CHANNEL CONTRACT No C5

TITLE: **KILDARE LAND DRAINAGE FLOOD PUMPING STATION ELECTRICAL WORKS FLOOD PUMPING STATION MISCELLANEOUS DETAILS**



CITY OF WINNIPEG IS RESPONSIBLE FOR MECHANICAL AND ELECTRICAL WORK
MFA acceptance is limited to the Red River Floodway Expansion project only, and specifically excludes acceptance of any mechanical and electrical works indicated on this drawing, which are incorporated for the purpose of City of Winnipeg Bid Opportunity 238-2007

THE CITY OF WINNIPEG WATER & WASTE DEPARTMENT

CAD FILE DRAWING NUMBER: **CC5-48aE-006c-01-01.dwg**
CITY DRAWING NUMBER: **-**

MFA acceptance:

DOUG McNEIL
VICE PRESIDENT OF ENGINEERING AND CONSTRUCTION

OWNER DWG NO.: CC5-48aE-006c	SHT.: 01	REV.: 01
-------------------------------------	-----------------	-----------------

24"x36"/[609x914] P:\Projects\2005\05-0107-17\Elect\Draws\CC5-48aE-006c-01-01.dwg - Tab: E-006 - Jun. 21, 2007 - 11:37am - User: Gnelson