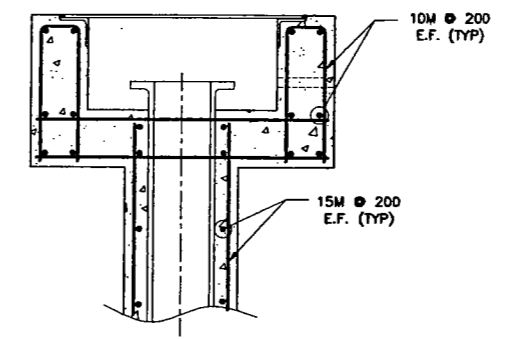
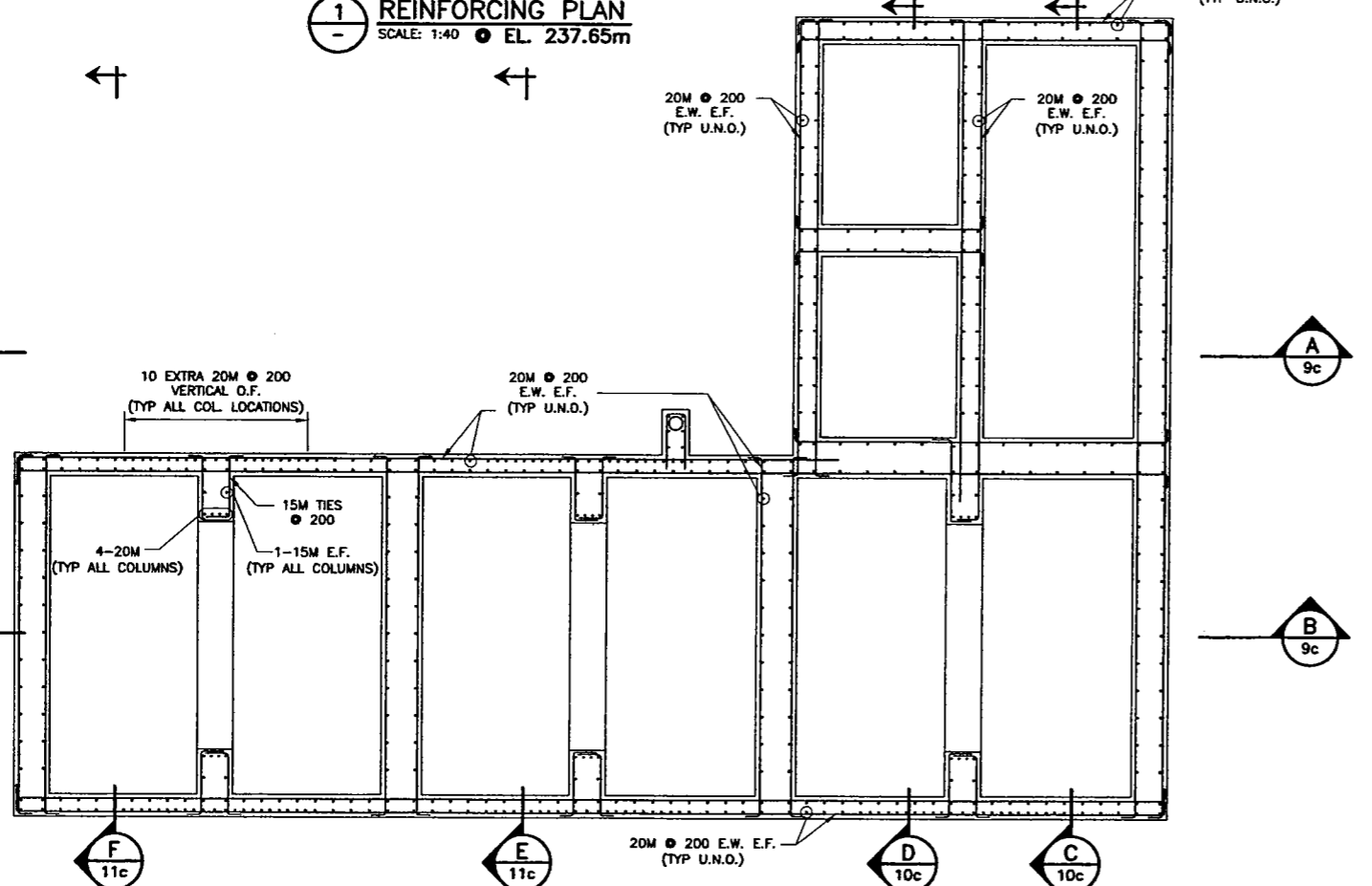


1 REINFORCING PLAN
SCALE: 1:40 • EL. 237.65m

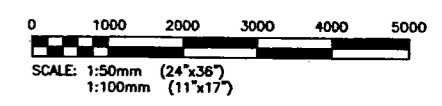


SECTION A-A
SCALE: 1:10



2 REINFORCING PLAN
SCALE: 1:40 • EL. 232.15m

1. REFER TO DRAWING 48aS-001c FOR GENERAL NOTES.



00	04/07/06	ISSUED FOR TENDER AND CONSTRUCTION	TF	CMS	JBS
NO.	DATE	REVISIONS	BY	CHKD.	APP.
KGS GROUP					
SUBCONSULTANT DWG NO.:					
C of A		 APECM Certificate of Authorization KGS Group No. 245 Expiry: April 30, 2007		ENG. STAMP THE ORIGINAL ISSUE REV 0 WAS STAMPED, DATED AND SIGNED BY C.M. SIEPMAN ON 04/07/06 D/M/Y	
DESIGNED BY:	TF	DRAWN BY:	EC	SCALE:	AS NOTED
CHECKED BY:	CMS	APPROVED BY:	J B SMITH	DATE:	MAY 2006
KGS GROUP SUBMITTED BY: RICK CARSON					
OWNER MANITOBA FLOODWAY AUTHORITY					
PROJECT: RED RIVER FLOODWAY EXPANSION					
PHASE: MAIN CHANNEL CONTRACT No. C5					
TITLE: KILDARE LAND DRAINAGE FLOOD PUMPING STATION STRUCTURAL WORKS REINFORCING - SECTIONAL PLANS AT EL 237.65 AND 232.15					
RELEASED FOR CONSTRUCTION:					
DOUG McNEIL VICE PRESIDENT OF ENGINEERING AND CONSTRUCTION					
OWNER DWG NO.: CC5-48aS-007c				SHT.	REV.
				01	00



24"x36"/[6094914] \\Projects\2005\05-0107-17\Civil\Drawings\REVISION 00\CC5-48aS-007c-01-00.dwg - Tab: 7c - Apr 05, 2007 - 3:59pm - User: rickcarson