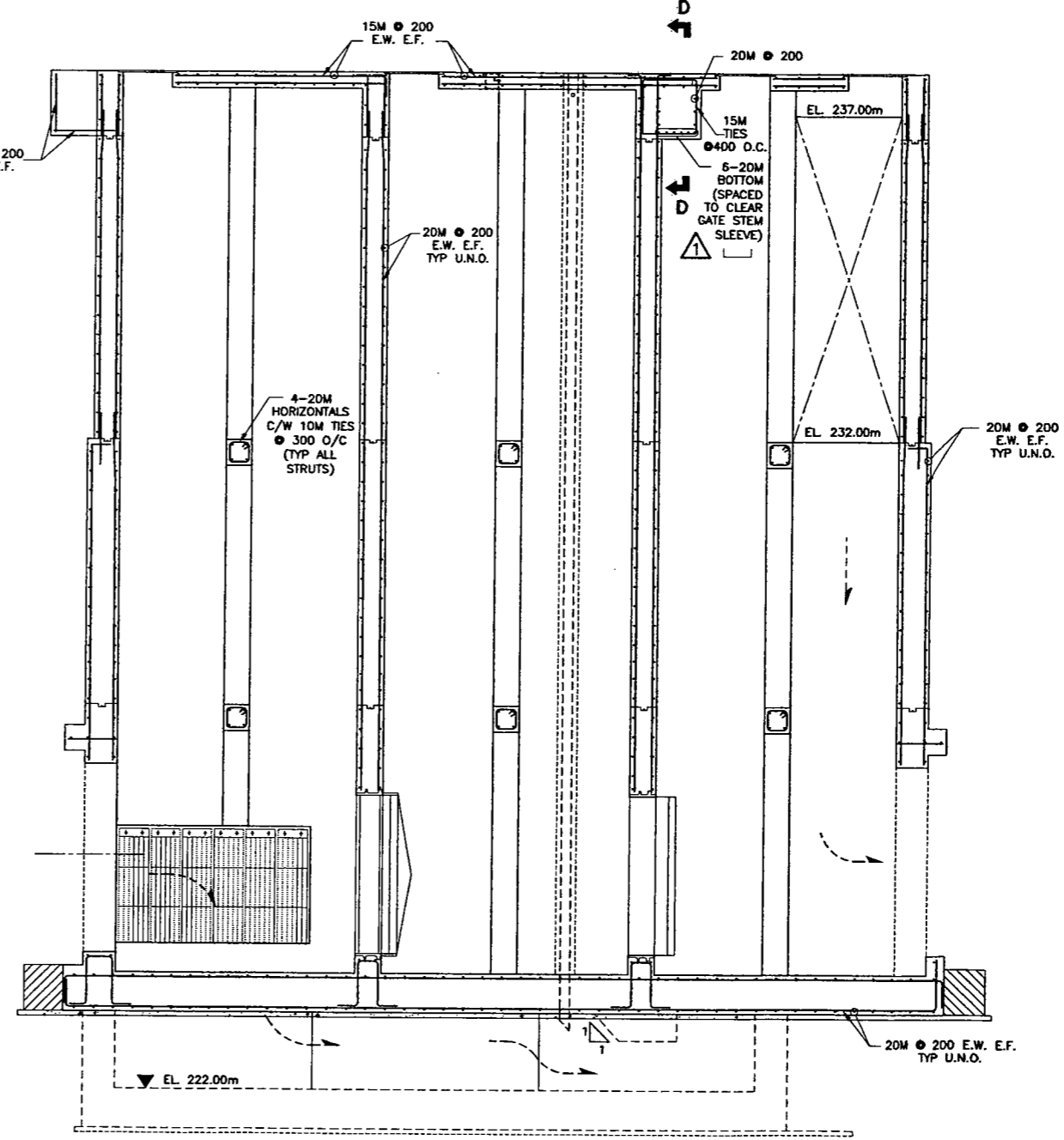
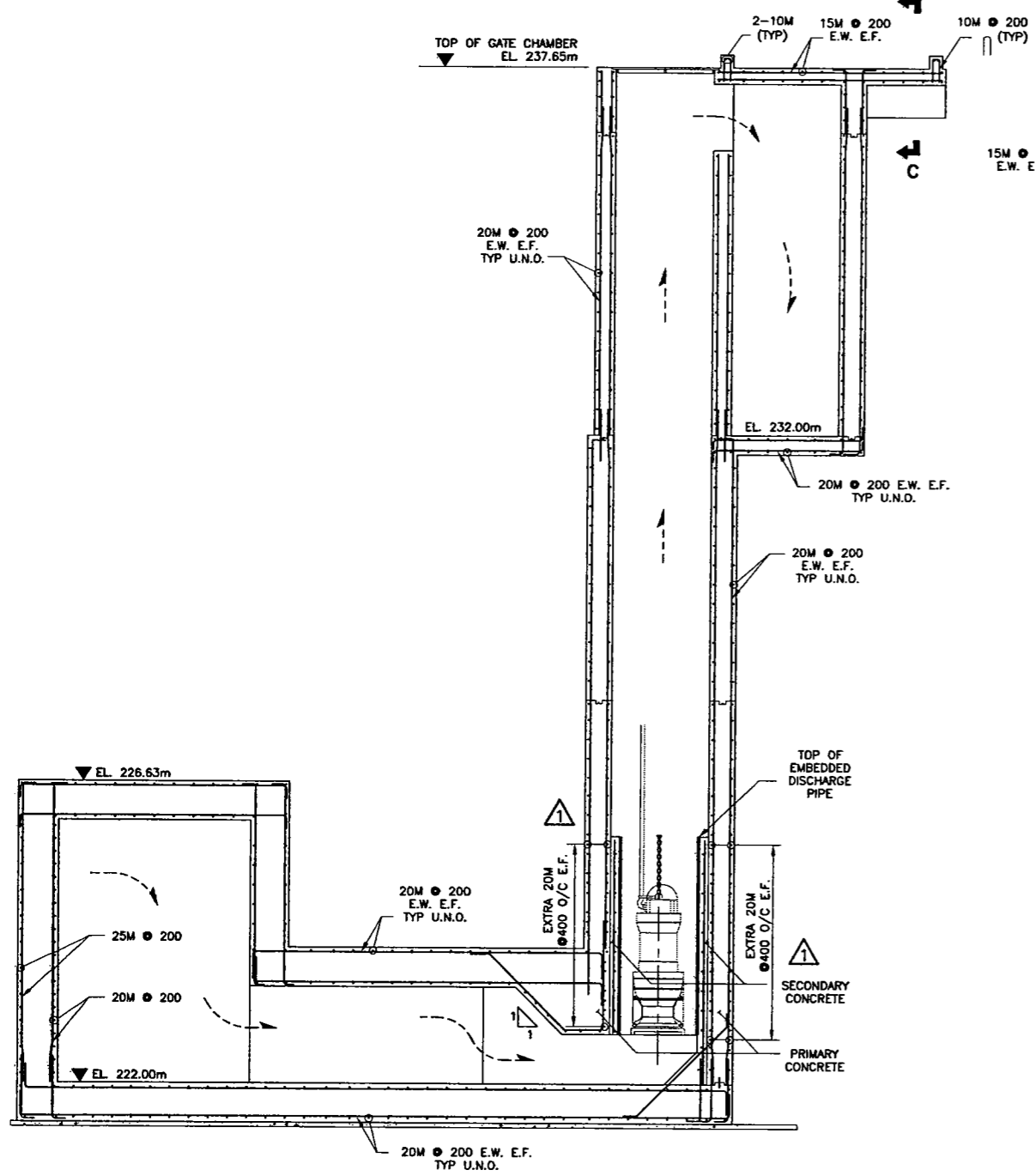
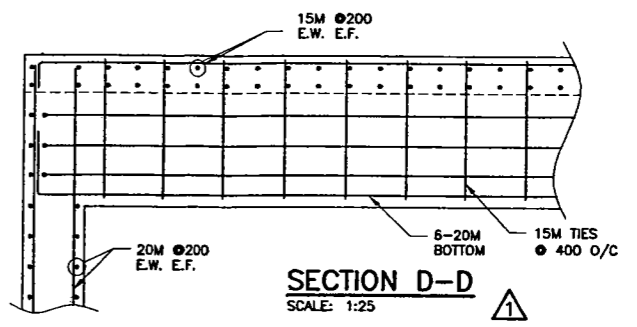
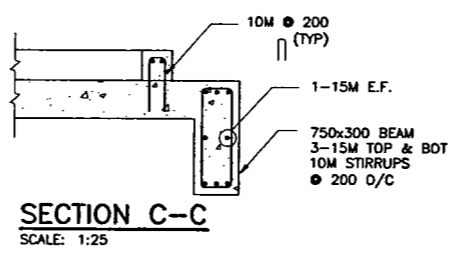


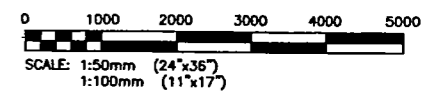
24"x36" / 609x914  
 P:\PROJECTS\2005\05-0107-17\Civil\Drawings\REV\151518\_01\CCS-48aS-009c-01-01.dwg - Tab 9c - Apr 05, 2007 - 3:52pm - User:Name: jgnitzinger



**A** SECTION  
7c  
SCALE: 1:50

**B** SECTION  
7c  
SCALE: 1:50

1. REFER TO DRAWING 48aS-001c FOR GENERAL NOTES.



01	29/11/06	REVISED BEAM AND CONST. JOINTS	TF	CMS	JBS
00	04/07/06	ISSUED FOR TENDER AND CONSTRUCTION	TF	CMS	JBS
NO.	DATE	REVISIONS	BY	CHKD.	APP.

**KGS GROUP**

SUBCONSULTANT DRG NO.:  
C of A



ENG. STAMP  
THE ORIGINAL ISSUE  
REV 0 WAS STAMPED,  
DATED AND SIGNED  
BY C.M. SIEPMAN  
ON 04/07/06  
D/M/Y

DESIGNED BY:	TF	DRAWN BY:	EC	SCALE:	AS NOTED
CHECKED BY:	CMS	APPROVED BY:	J B SMITH	DATE:	MAY 2006

KGS GROUP SUBMITTED BY: RICK CARSON  
OWNER:

**MANITOBA FLOODWAY AUTHORITY**

PROJECT: RED RIVER FLOODWAY EXPANSION

PHASE: MAIN CHANNEL CONTRACT No. C5

TITLE: KILDARE LAND DRAINAGE FLOOD PUMPING STATION  
STRUCTURAL WORKS

REINFORCING  
SECTIONS A, B & C

RELEASED FOR CONSTRUCTION:

DOUG McNEIL  
VICE PRESIDENT OF ENGINEERING AND CONSTRUCTION

OWNER DRG NO.:	CCS-48aS-009c	SHT.	01	REV.	01
----------------	---------------	------	----	------	----

