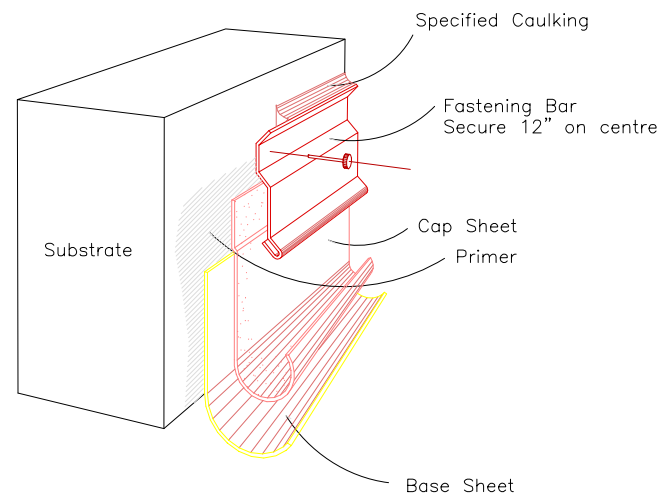
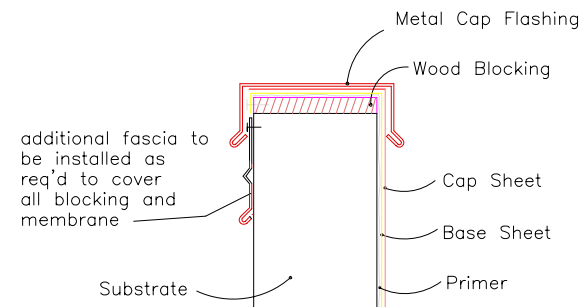


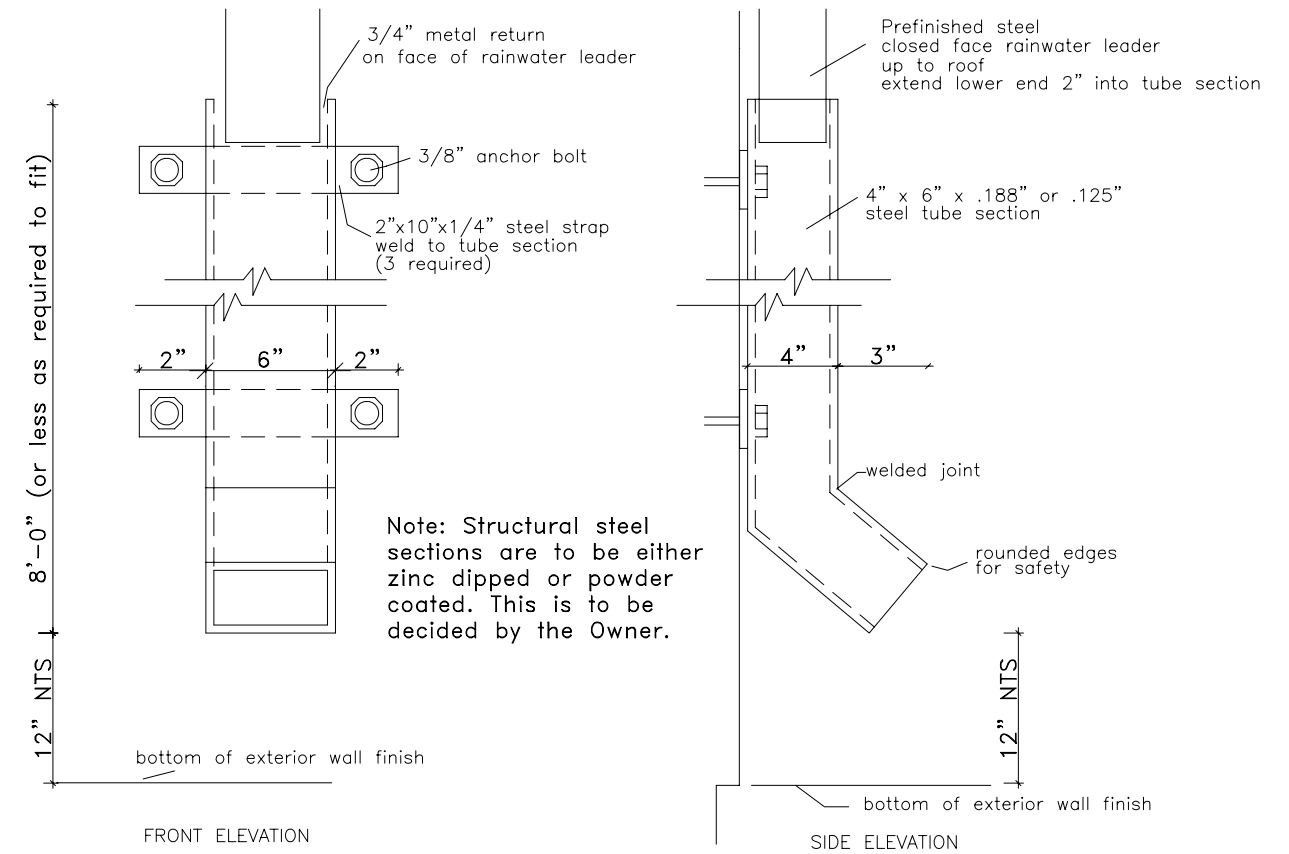
Typical Fastening Bar



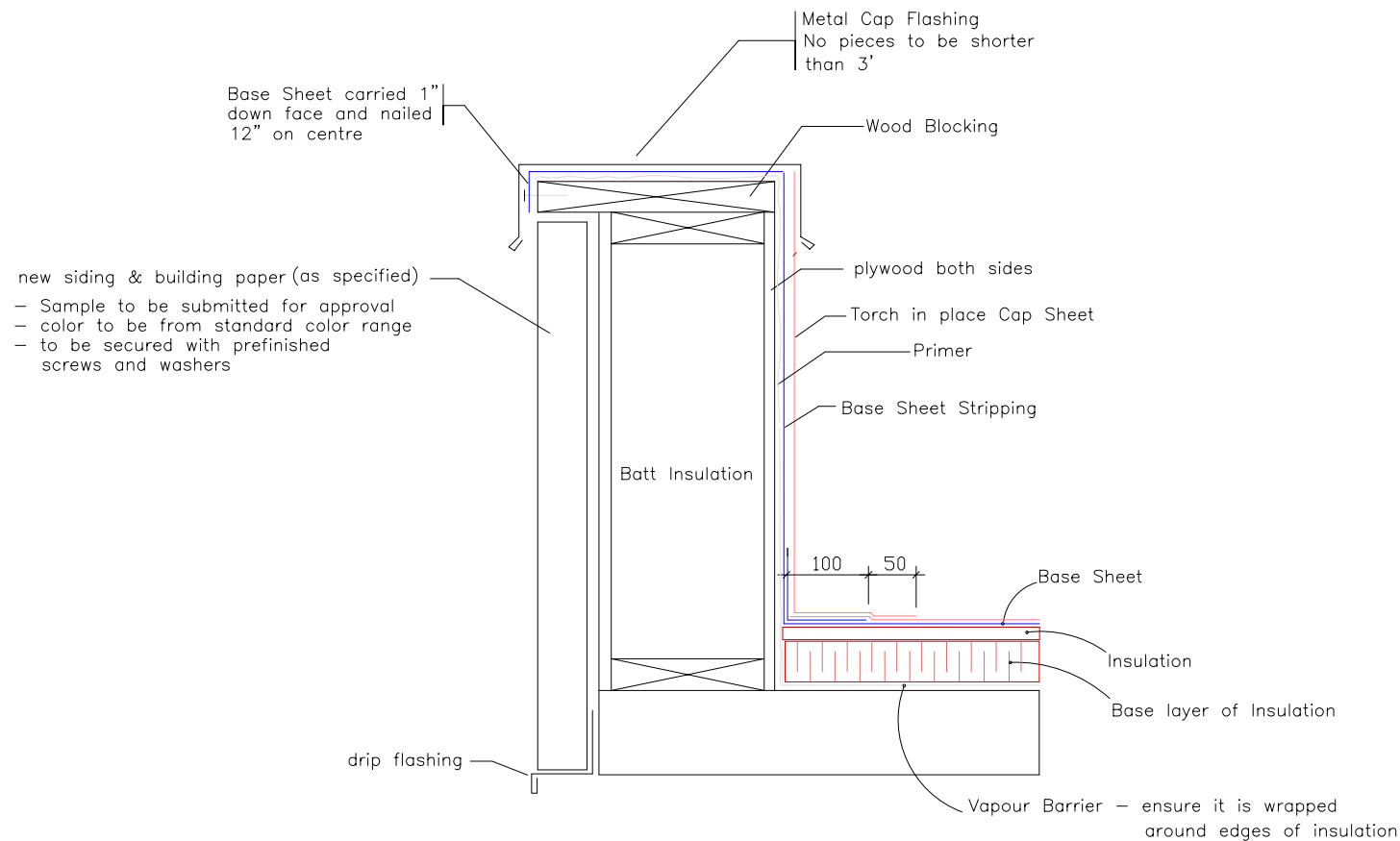
Typical Parapet Cap Roof A1



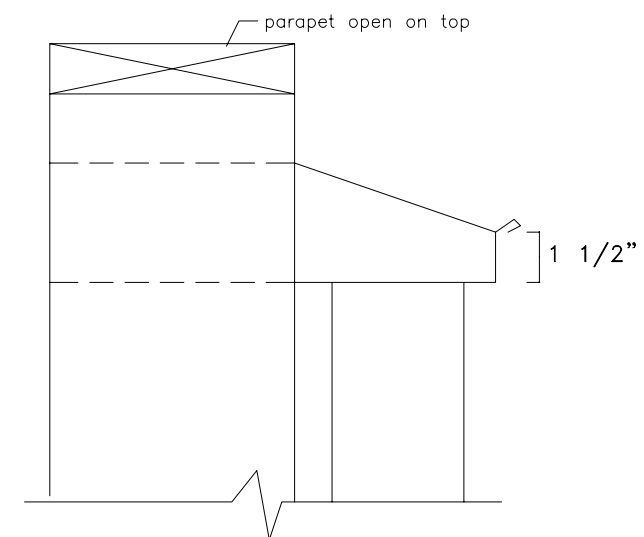
Structural Down Pipes



Typical Parapet Construction Roof B1, C1 & D1



Typical Scupper



Notes:
Scupper shall be 4 sided through parapet
Scupper shall be minimum 8" wide x 6" high

Note: Details are to be similar for inverted roof assemblies

AGASSIZ CONSULTING GROUP

809 Pipeline Road, Winnipeg, Manitoba
Phone: 697-8091 Fax: 697-8039

Project: Old Exhibition Arena
80 Sinclair
Winnipeg, MB

Date: January 26, 2007

Drawing No. D-1

File no: 3619-07 Scale: N.T.S.