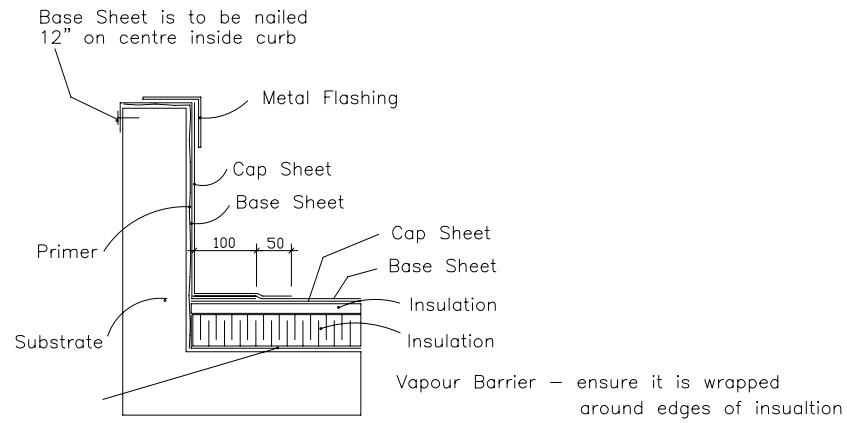
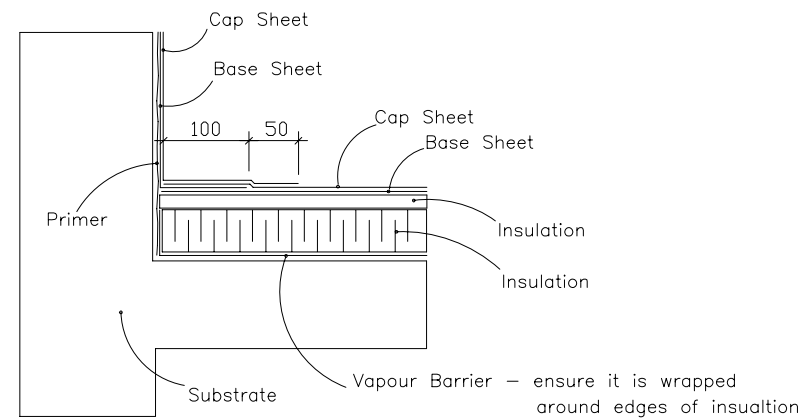


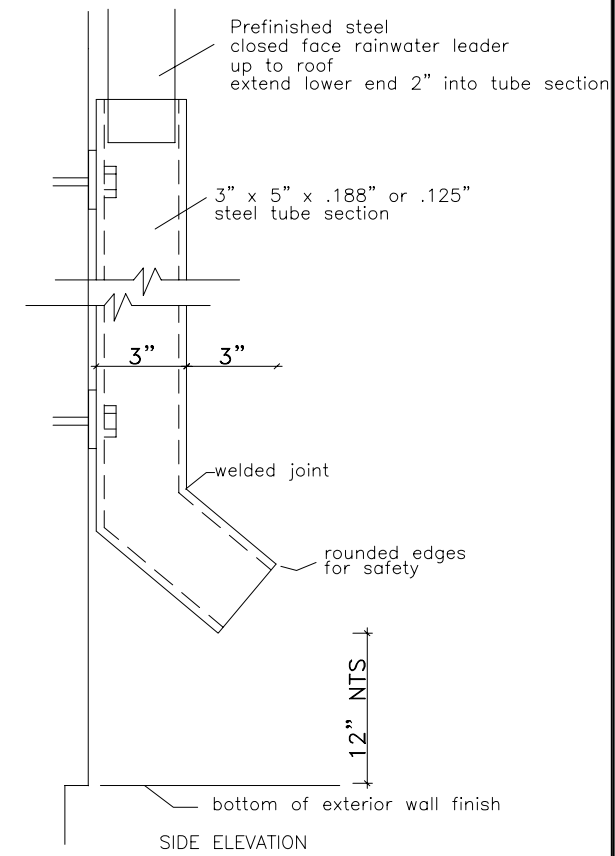
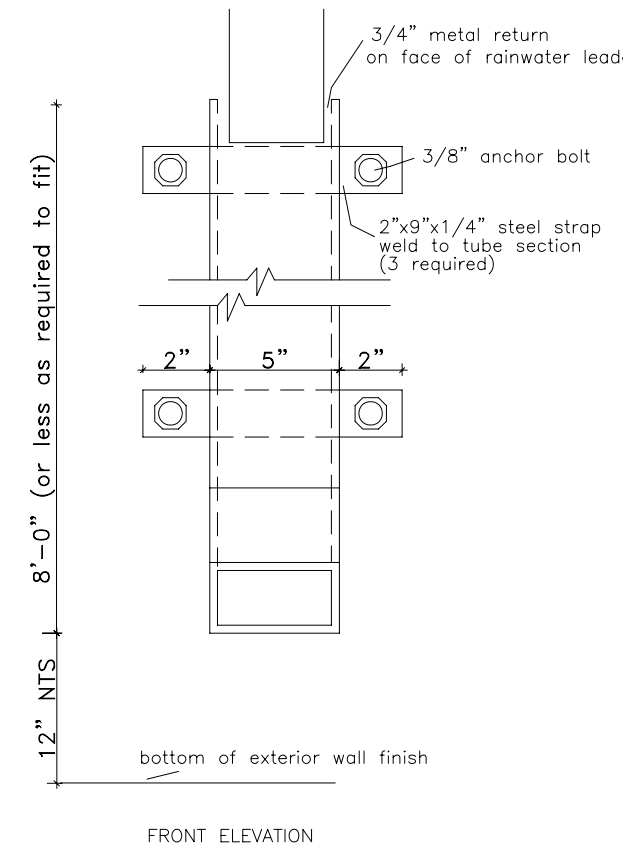
Mechanical Curb Flashing



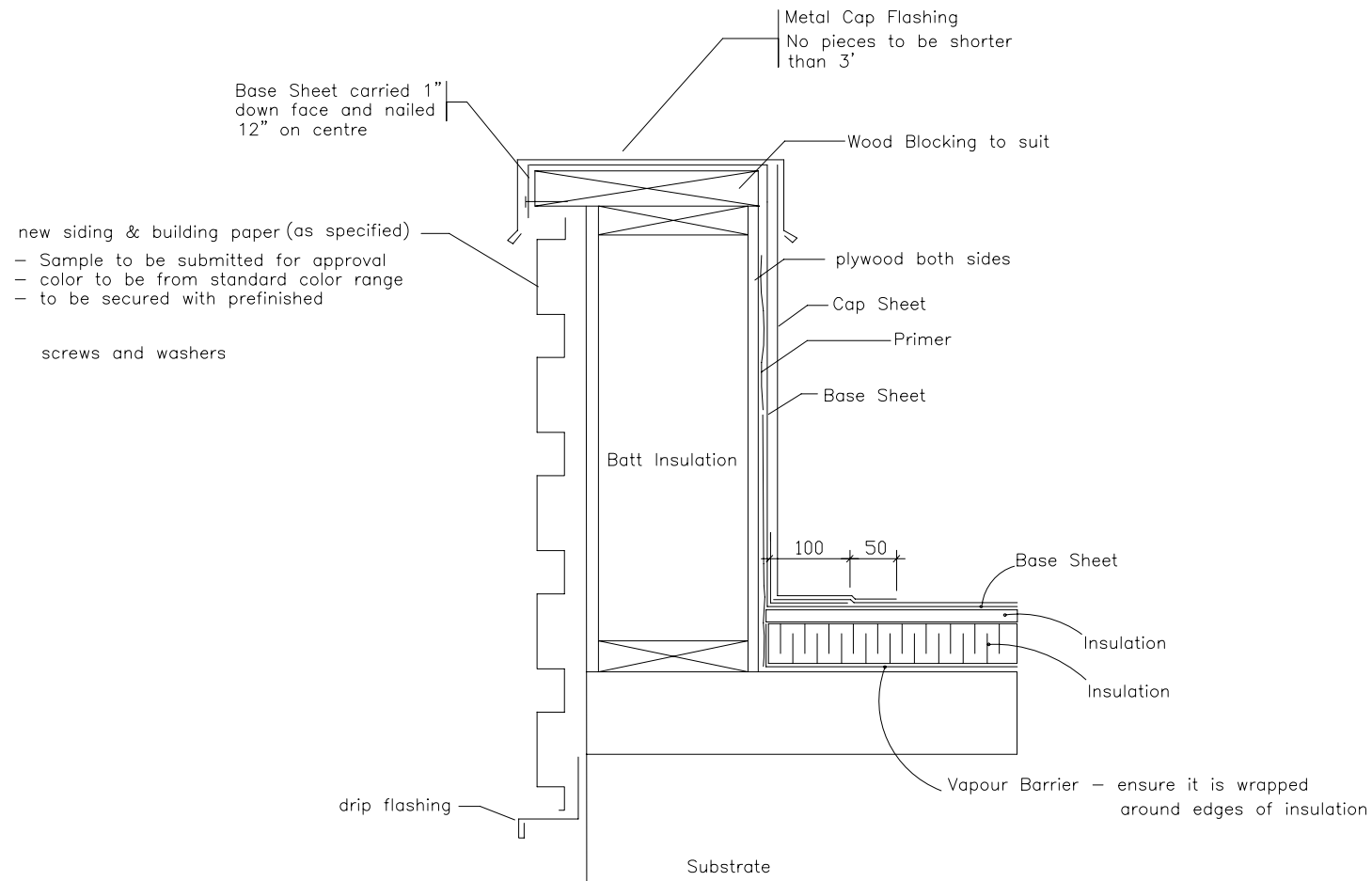
Typical Roof Edge Detail



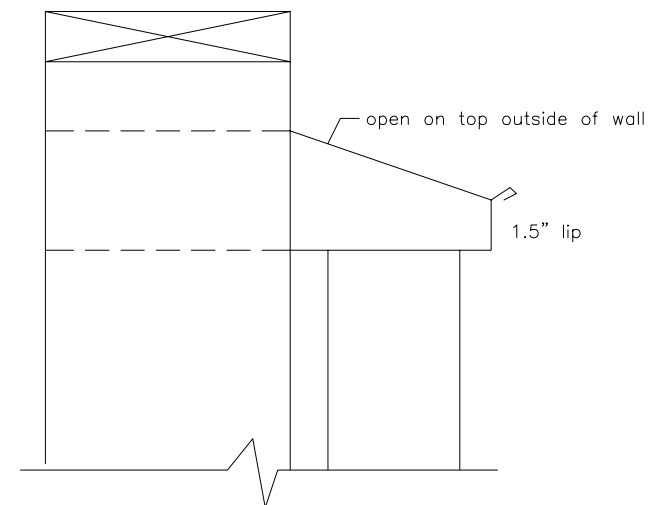
Structural Down Pipes



Typical Parapet Construction



Typical Scupper



Notes:
 Scupper shall be 4 sided through parapet
 Scupper shall be minimum 8" wide x 6" high

Note: Details are to be similar for inverted roof assemblies

AGASSIZ CONSULTING GROUP	
809 Pipeline Road, Winnipeg, Manitoba Phone: 697-8091 Fax: 697-8039	
Project:	Bertrand Arena 294 Bertrand Winnipeg, MB
Date:	January 17, 2007
Drawing No.	D-1
File no:	3587-07
Scale:	N.T.S.