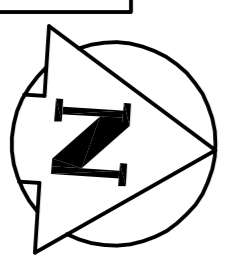
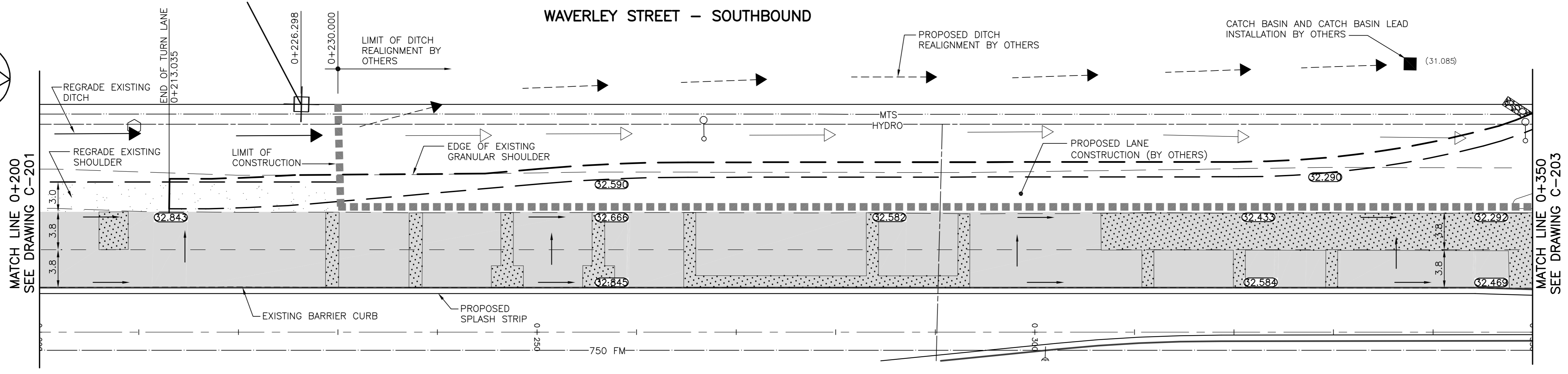


NOTE:
STATIONING ALONG CENTRELINE OF WAVERLEY STREET RIGHT-OF-WAY.



WAVERLEY STREET - SOUTHBOUND

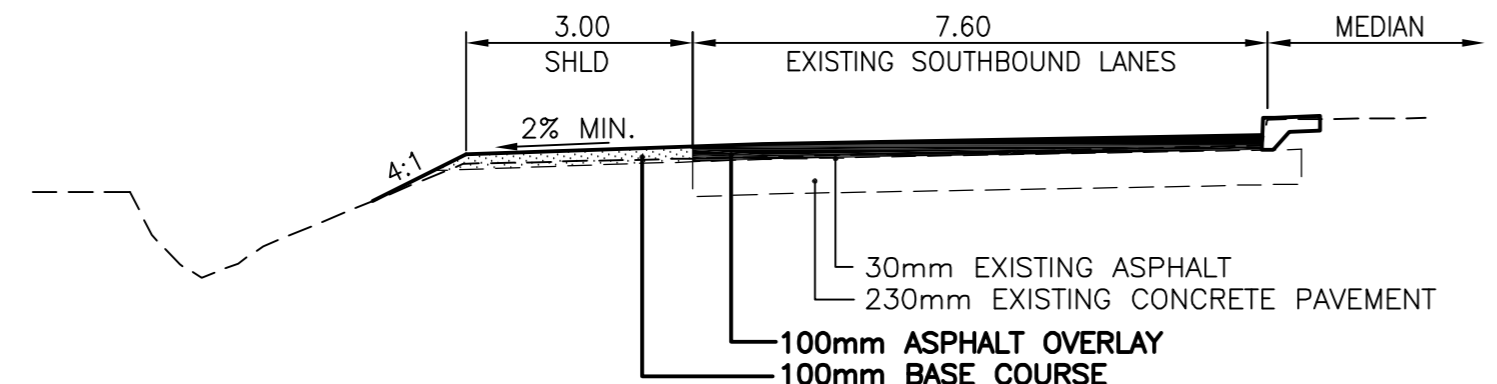


WARNING

IF POWER EQUIPMENT OR EXPLOSIVES ARE TO BE USED FOR EXCAVATION ON THIS PROJECT THE CONTRACTOR MUST:
1) NOTIFY THE GAS COMPANY OF THE PROPOSED LOCATION OF EXCAVATION.
2) TAKE PRECAUTION TO AVOID DAMAGE TO GAS COMPANY INSTALLATIONS.
SEE PROVINCIAL REGULATION 140/92 FOR DETAILS

METRIC

WHOLE NUMBERS INDICATE MILLIMETRES
DECIMALIZED NUMBERS INDICATE METRES



**TYPICAL PAVEMENT SECTION
SOUTHBOUND LANES**

BENCH MARK: 217 (654217) - E. shoulder of gravel Two-Mile Rd. (formerly Waverley St.) & drain S. of Sugarbeet spur line, 3rd set of hydro poles S. of Conc. new Waverley St., 1 bit. in 7.6m Conc. pile, 57.3m S. of hydro poles & 8.3m W. of line most W. set of hydro poles.

APEGM
Certificate of Authorization
Stantec Consulting Ltd.
No. 1301 Expiry: April 30, 2007

LOCATION APPROVED UNDERGROUND STRUCTURES

NO.	REVISIONS	DATE	BY	DATE
B	ISSUED FOR TENDER	07.03.30	W.K.B.	
A	ISSUED FOR CLIENT REVIEW	07.03.14	W.K.B.	

NOTE:
LOCATION OF UNDERGROUND STRUCTURES AS SHOWN ARE BASED ON THE BEST INFORMATION AVAILABLE BUT NO GUARANTEE IS GIVEN THAT ALL EXISTING UTILITIES ARE SHOWN OR THAT THE GIVEN LOCATIONS ARE EXACT. CONFIRMATION OF EXISTENCE AND EXACT LOCATION OF ALL SERVICES MUST BE OBTAINED FROM THE INDIVIDUAL UTILITIES BEFORE PROCEEDING WITH CONSTRUCTION.

Stantec Consulting Ltd.
905 Waverley Street, Winnipeg, Manitoba
Tel 204-489-5900 Fax 204-453-9012

DESIGNED BY: W.K.B. CHECKED BY: V.M.M.
DRAWN BY: T.G. APPROVED BY: W.K.B.

HOR. SCALE: 1:250
VERTICAL: 1:10

RELEASED FOR CONSTRUCTION: []
DATE

PROVINCE OF MANITOBA
W.K. BYCZEK
REGISTERED PROFESSIONAL ENGINEER
MEMBER 23067

THE CITY OF WINNIPEG
Winnipeg TRANSPORTATION ENGINEERING DIVISION

WAVERLEY STREET-SOUTHBOUND
BISON DRIVE TO BISHOP GRANDIN BOULEVARD
STA. 0+200 TO STA. 0+350
2007 REGIONAL STREETS PROGRAM

SHEET **3** OF **15**
CAD FILE DRAWING NUMBER 04580c-201-685.dwg
CITY DRAWING NUMBER **P-3276-3**

M:\1\7\Projects\1\7\7\WSS\Drawings\SS\04580c-201.dwg 2007-03-27 02:49PM By: jpb