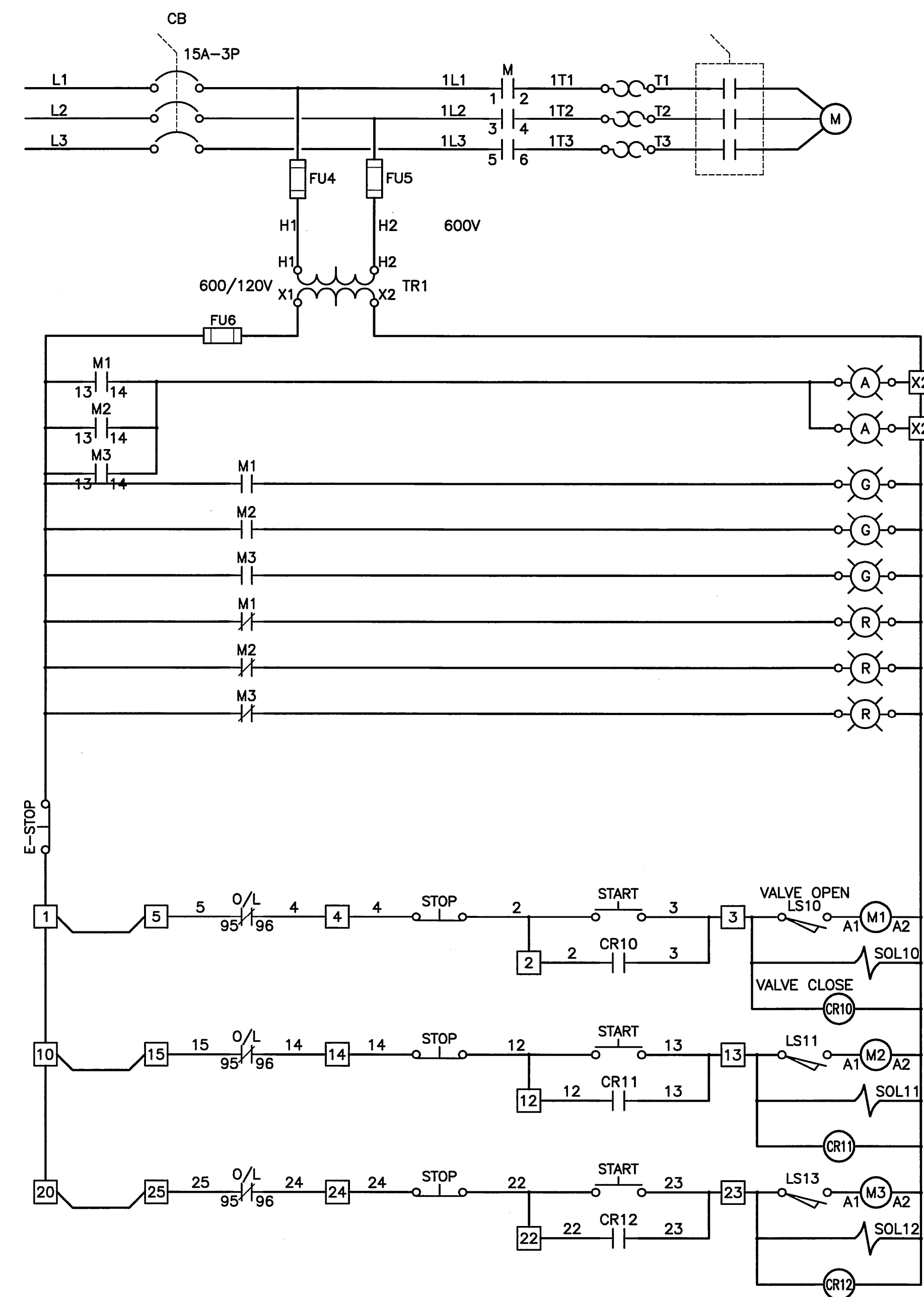
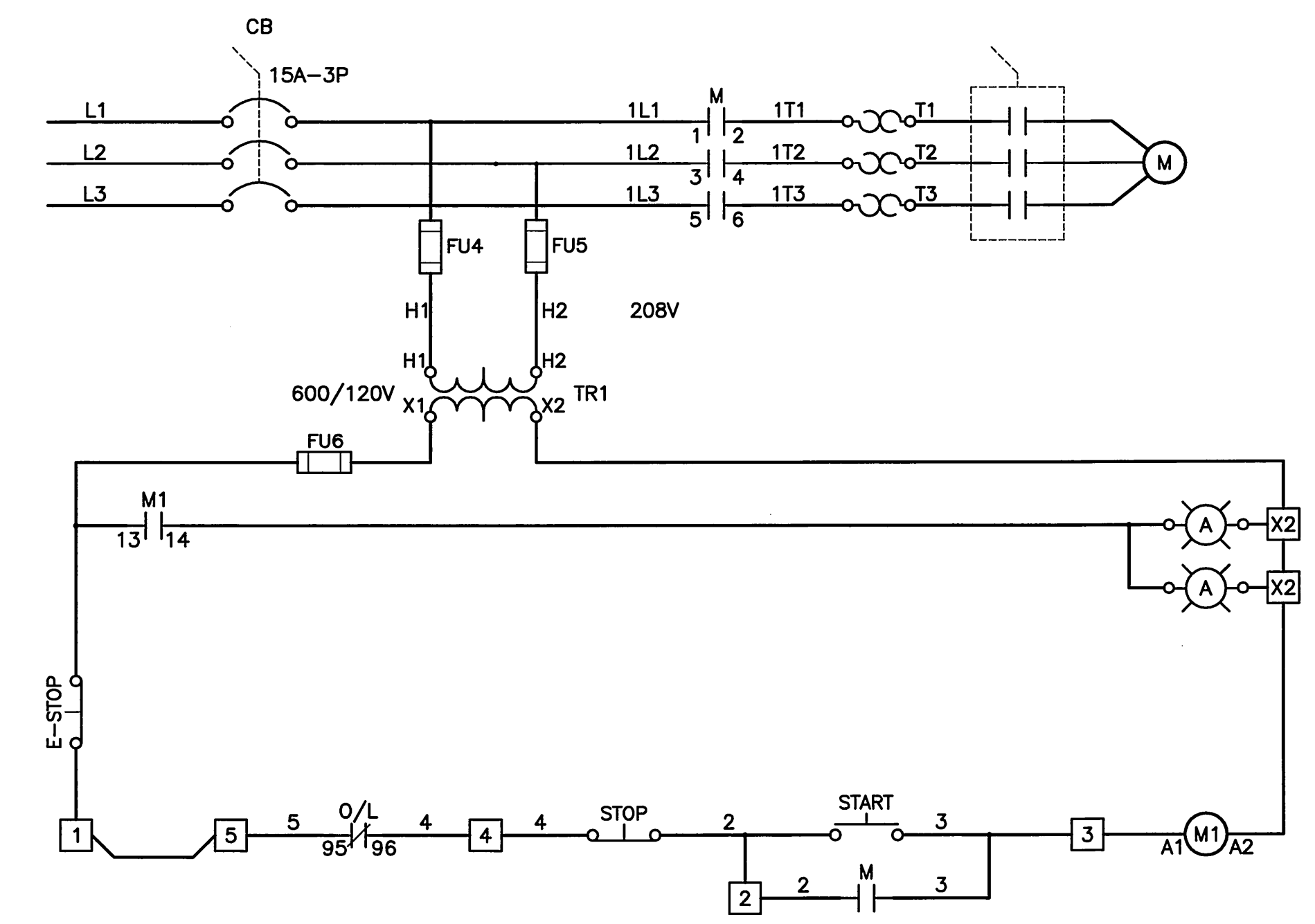


1 DIESEL FUEL PUMP CONTROL DIAGRAM
 © 1520 MAIN STREET
 N.T.S.

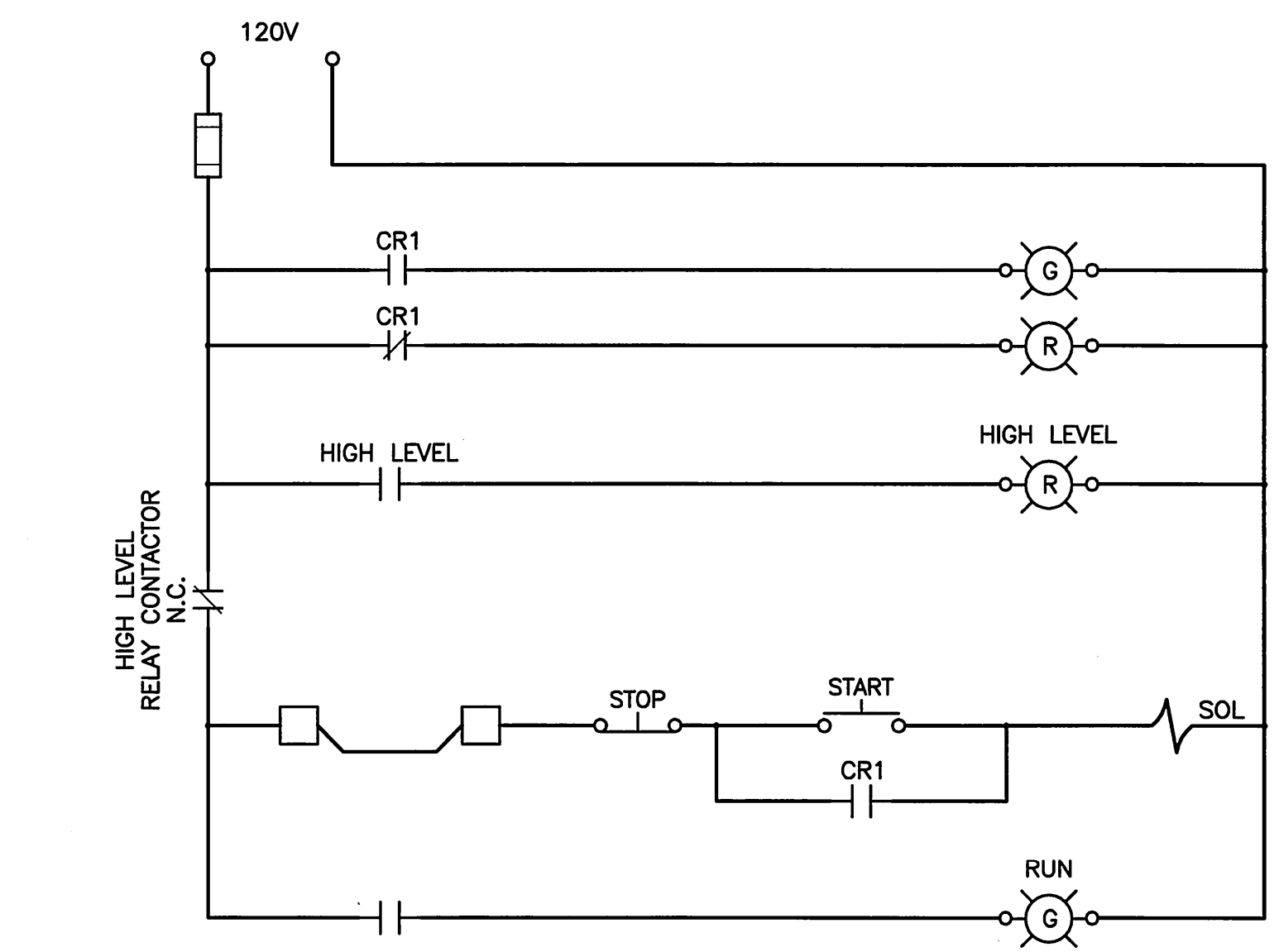


2 DIESEL FUEL PUMP CONTROL DIAGRAM
 © 421 OSBORNE STREET
 N.T.S.

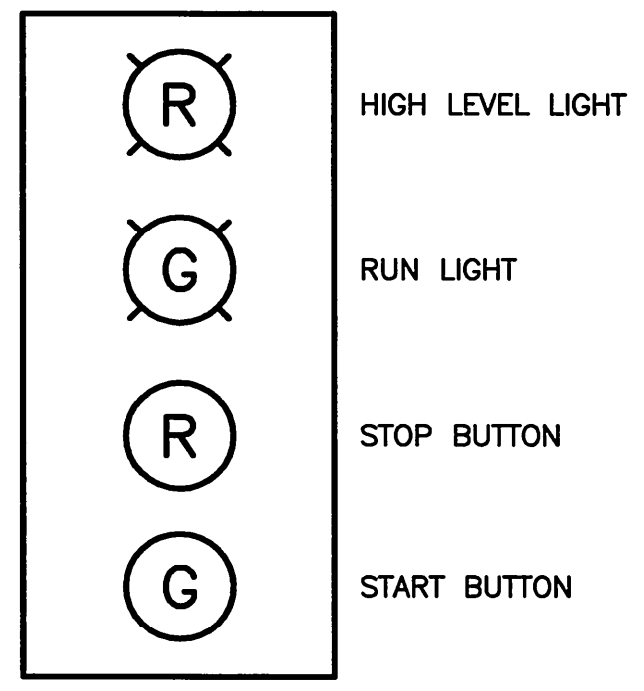


3 GASOLINE FUEL PUMP CONTROL DIAGRAM
 © 421 OSBORNE STREET
 N.T.S.

LEGEND:
 LS LIMIT SWITCH
 SOL SOLENOID
 Mx MOTOR
 O/L OVER-LOAD



4 WASTE OIL PUMP CONTROL CIRCUIT
 LINE DIAGRAM (TYPICAL)
 N.T.S.



5 WASTE OIL PUMP CONTROL STATION DETAIL
 N.T.S.

| | | | |
|---|----------------------|-------------|-----------|
| 0 | ISSUED FOR TENDER | 07.04.05 | S.N. |
| NO. | DESCRIPTION | DATE | ISSUED BY |
| REVISIONS/ISSUE | | | |
| <small>THE CONTENT OF THIS DOCUMENT IS NOT INTENDED FOR THE USE OF, NOR IS IT INTENDED TO BE RELIED UPON BY ANY PERSON, FIRM OR CORPORATION, OTHER THAN THE CLIENT AND WARDROP ENGINEERING INC. WARDROP ENGINEERING DENIES ANY LIABILITY WHATSOEVER TO OTHER PARTIES FOR DAMAGES OR INJURY SUFFERED BY SUCH THIRD PARTY ARISING FROM USE OF THIS DOCUMENT BY THEM, WITHOUT THE EXPRESS PRIOR WRITTEN AUTHORITY OF WARDROP ENGINEERING AND OUR CLIENT. THIS DOCUMENT IS SUBJECT TO FURTHER RESTRICTIONS IMPOSED BY THE CONTRACT BETWEEN THE CLIENT AND WARDROP ENGINEERING INC. AND THESE PARTIES' PERMISSION MUST BE SOUGHT REGARDING THIS DOCUMENT IN ALL OTHER CIRCUMSTANCES.</small> | | | |
| CLIENT | | | |
| CITY OF WINNIPEG TRANSIT DEPARTMENT | | | |
| | | | |
| PROJECT NAME | | | |
| PETROLEUM STORAGE AND HANDLING SYSTEMS REPLACEMENT | | | |
| DRAWING DESCRIPTION | | | |
| ELECTRICAL FUEL PUMP CONTROL SCHEMATIC DIAGRAMS | | | |
| DESIGNED BY: | DRAWN BY: | CHECKED BY: | |
| S.N. | H.P.C.C. | | |
| APPROVED BY: | | | |
| | | | |
| SCALE: | N.T.S. | DATE: | 07.02.28 |
| DRAWING NO. | 0729720100-DWG-E0003 | REV. | 0 |

