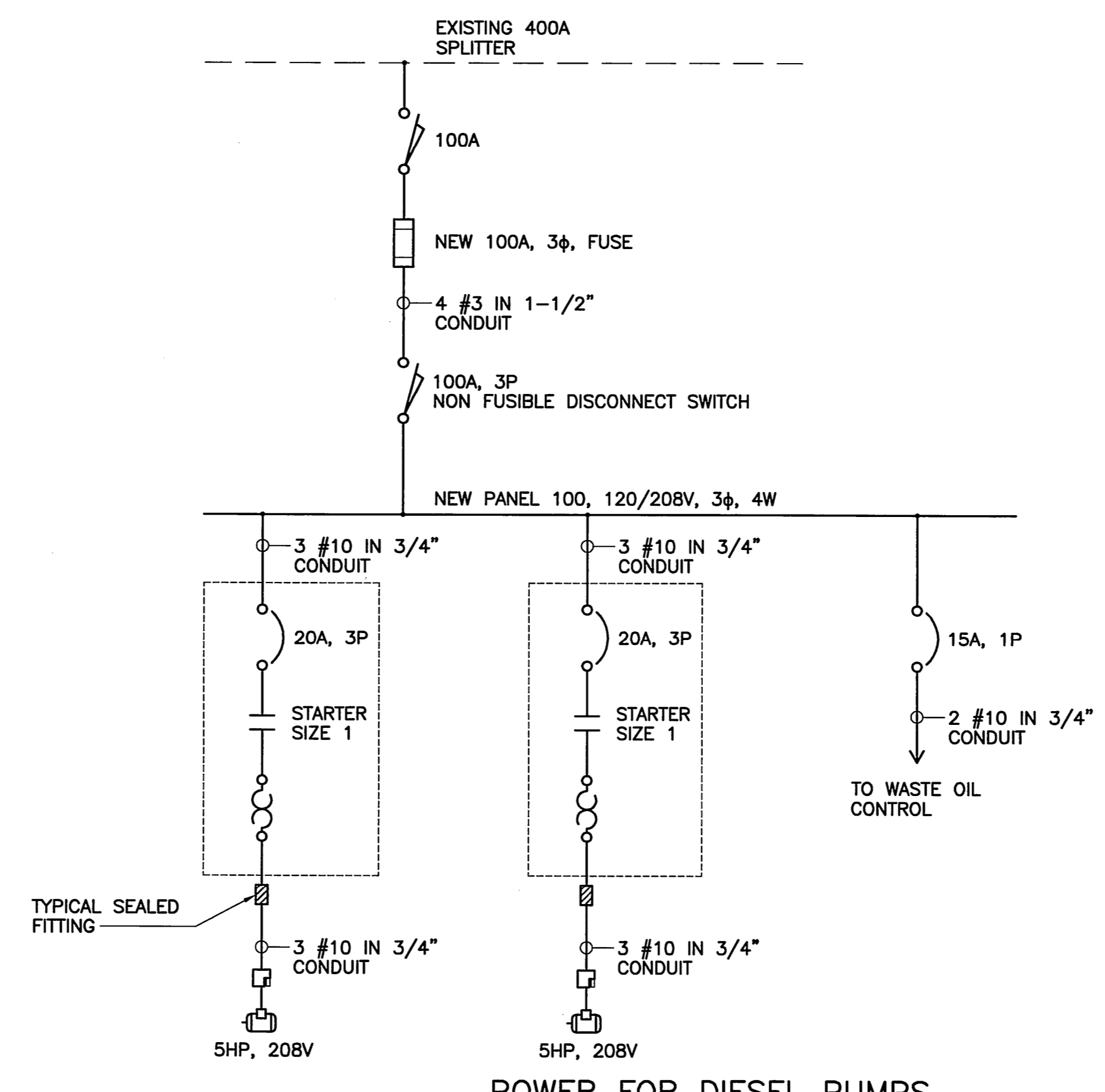
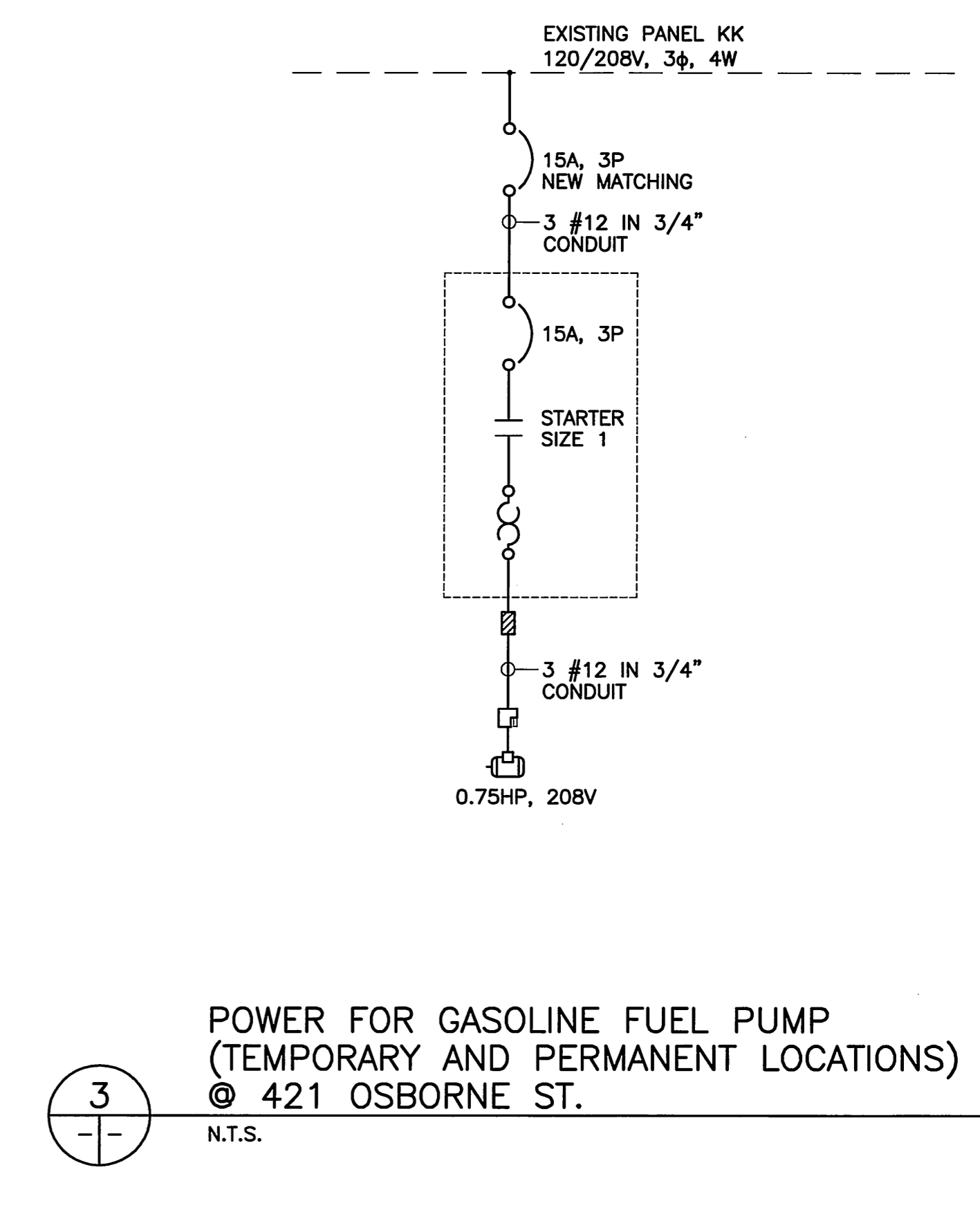


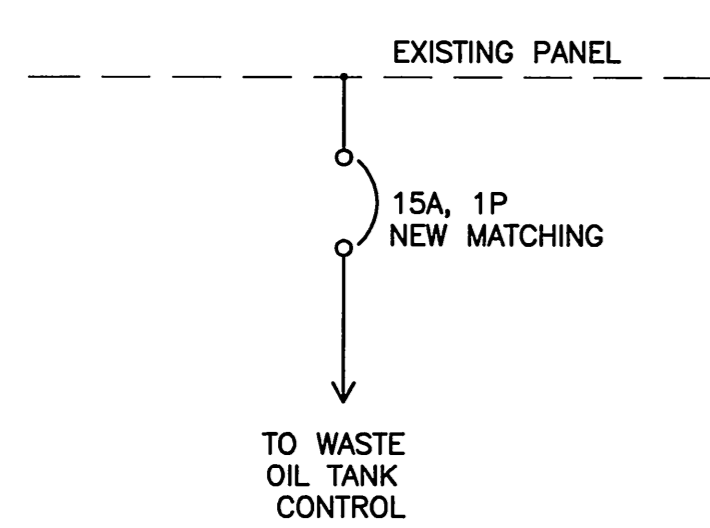
1
- -
POWER FOR DIESEL PUMPS
@ 421 OSBORNE ST.
N.T.S.



2
- -
POWER FOR DIESEL PUMPS
@ 1520 MAIN ST.
N.T.S.



3
- -
POWER FOR GASOLINE FUEL PUMP
(TEMPORARY AND PERMANENT LOCATIONS)
@ 421 OSBORNE ST.
N.T.S.



4
- -
POWER FOR WASTE OIL CONTROL
@ 421 OSBORNE ST.
N.T.S.

DESCRIPTION	100A MAIN BUS		120/240V, 1φ, 3W		MOUNTING: SURFACE		LOCATION: 421 OSBORNE ST
	CCT.	BRK AMP	A B	BRK AMP	CCT.	DESCRIPTION	
PUMPHOUSE LIGHTING	1	15	•	15	2	SPARE	
SPARE	3	15	•	15	4	SPARE	
SPACE	5		•		6	SPACE	
SPACE	7		•		8	SPACE	
SPACE	9		•		10	SPACE	
SPACE	11		•		12	SPACE	

0	ISSUED FOR TENDER	07.04.05	S.N.
NO.	DESCRIPTION	DATE	ISSUED BY
REVISIONS/ISSUE			
<small>THE CONTENT OF THIS DOCUMENT IS NOT INTENDED FOR THE USE OF, NOR IS IT INTENDED TO BE RELIED UPON BY ANY PERSON, FIRM OR CORPORATION, OTHER THAN THE CLIENT AND WARDROP ENGINEERING INC. WARDROP ENGINEERING DENIES ANY LIABILITY WHATSOEVER TO OTHER PARTIES FOR DAMAGES OR INJURY SUFFERED BY SUCH THIRD PARTY ARISING FROM USE OF THIS DOCUMENT BY THEM, WITHOUT THE EXPRESS PRIOR WRITTEN AUTHORITY OF WARDROP ENGINEERING AND OUR CLIENT. THIS DOCUMENT IS SUBJECT TO FURTHER RESTRICTIONS IMPOSED BY THE CONTRACT BETWEEN THE CLIENT AND WARDROP ENGINEERING INC. AND THESE PARTIES' PERMISSION MUST BE SOUGHT REGARDING THIS DOCUMENT IN ALL OTHER CIRCUMSTANCES.</small>			
CLIENT			
CITY OF WINNIPEG TRANSIT DEPARTMENT			
WARDROP Engineering Inc.			
PROJECT NAME PETROLEUM STORAGE AND HANDLING SYSTEMS REPLACEMENT			
DRAWING DESCRIPTION ELECTRICAL FUEL PUMP DISTRIBUTION RISER DIAGRAMS AND PANEL SCHEDULE			
DESIGNED BY: S.N.	DRAWN BY: H.P.C.C.	CHECKED BY:	
APPROVED BY:			
SCALE: N.T.S.	DATE: 07.02.28	REV.	
DRAWING NO. 0729720100-DWG-E0004			0

