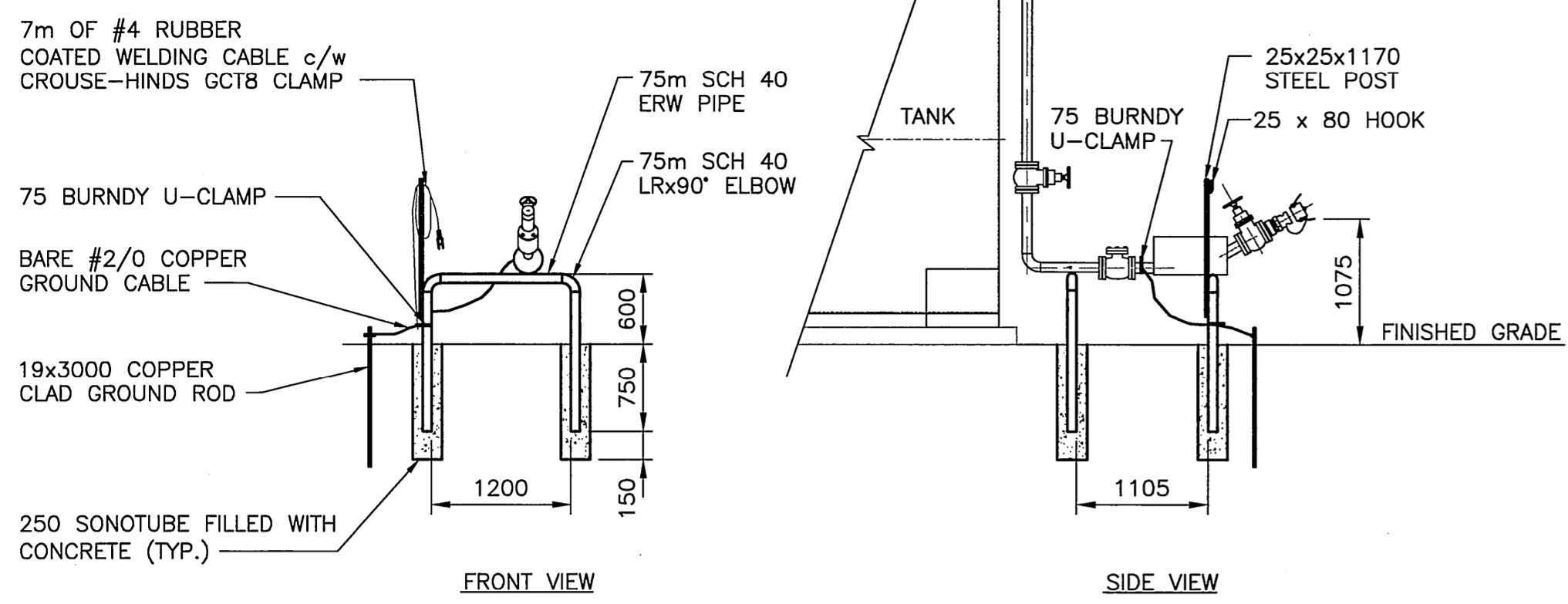


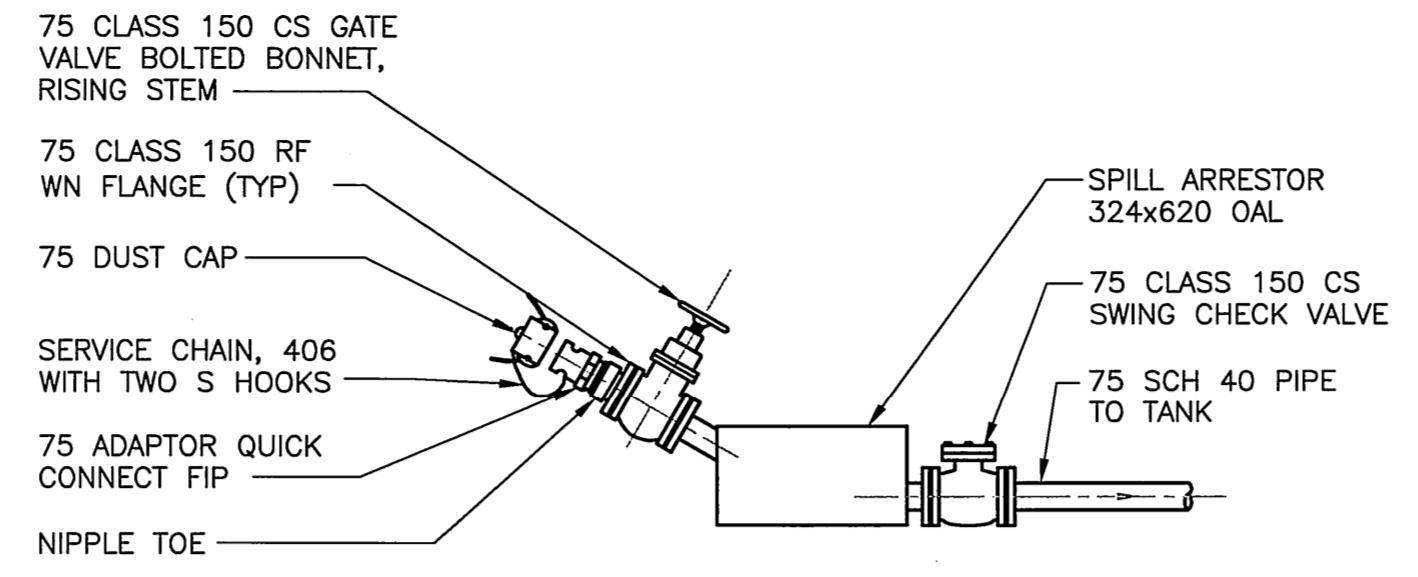
NOTES:
SEE DRAWING M0001 FOR LEGEND



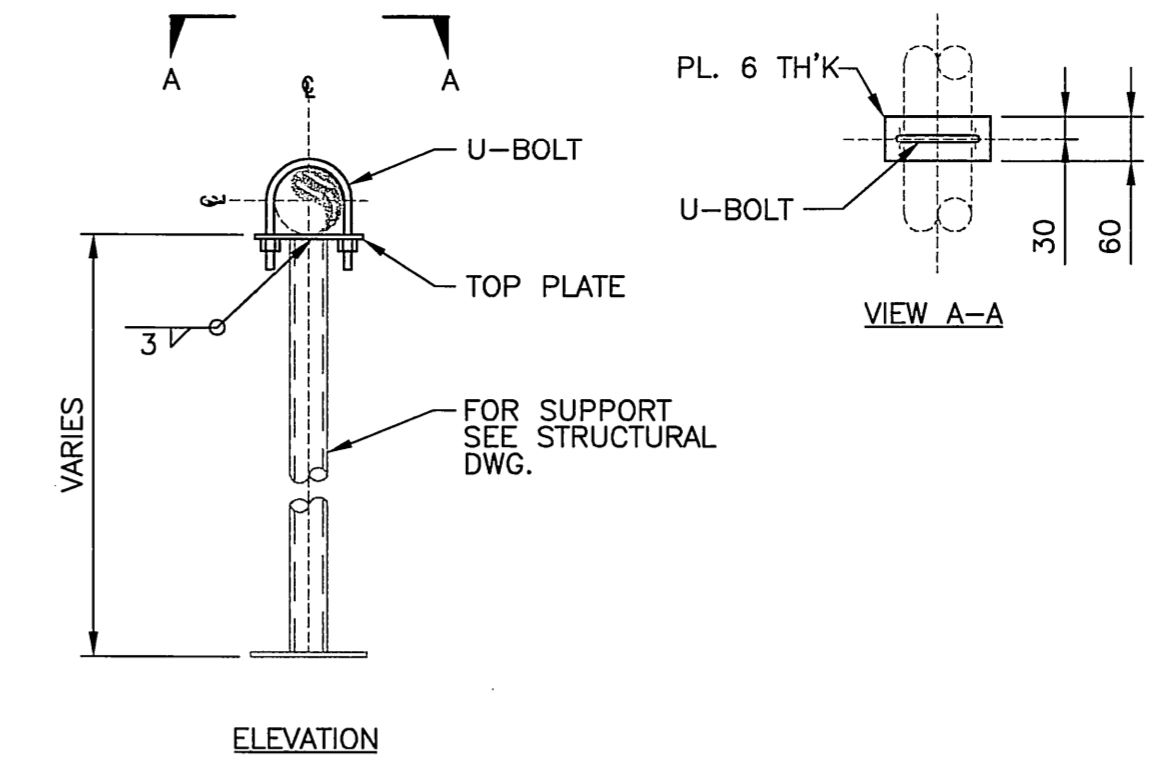
FRONT VIEW SIDE VIEW

NOTE:
PROVIDE STATIC CABLE AND CLAMP FOR GROUNDING TRANSPORT TRUCK DURING OFFLOADING AS PER THE SPECIFICATIONS. ALL MATERIAL TO BE SUPPLIED BY CONTRACTOR

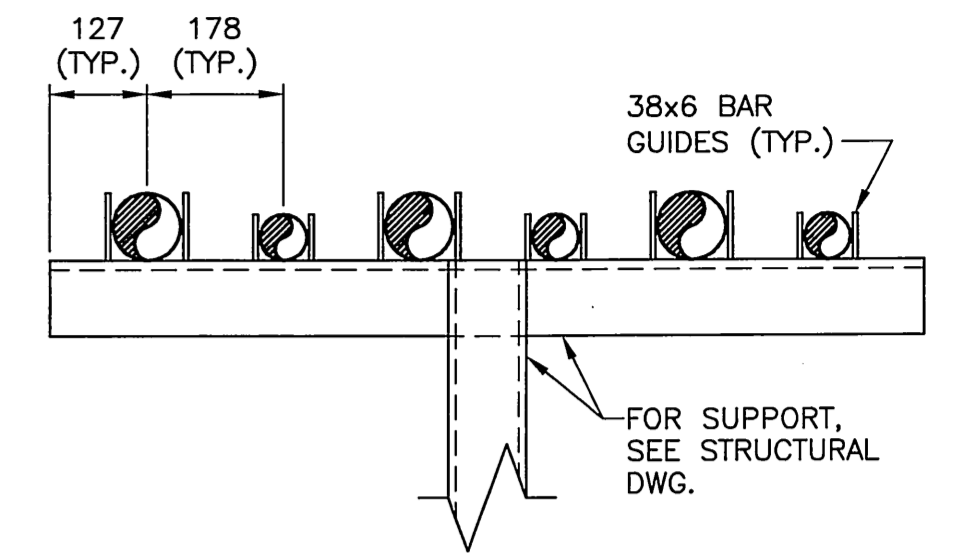
1 SUPPORT RACK AND TANK GROUNDING
1:50



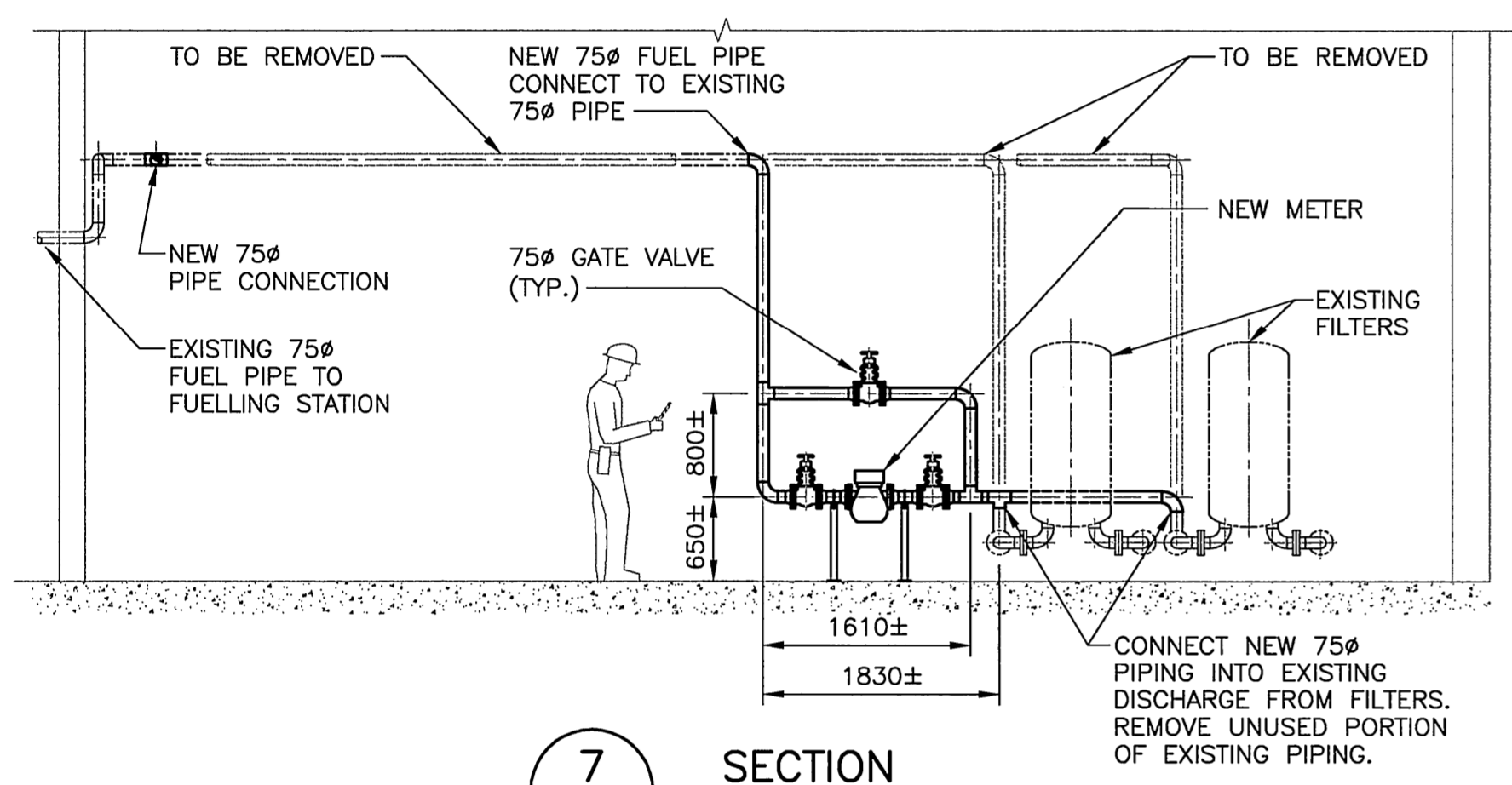
2 OFFLOADING CONNECTION DETAIL
1:25



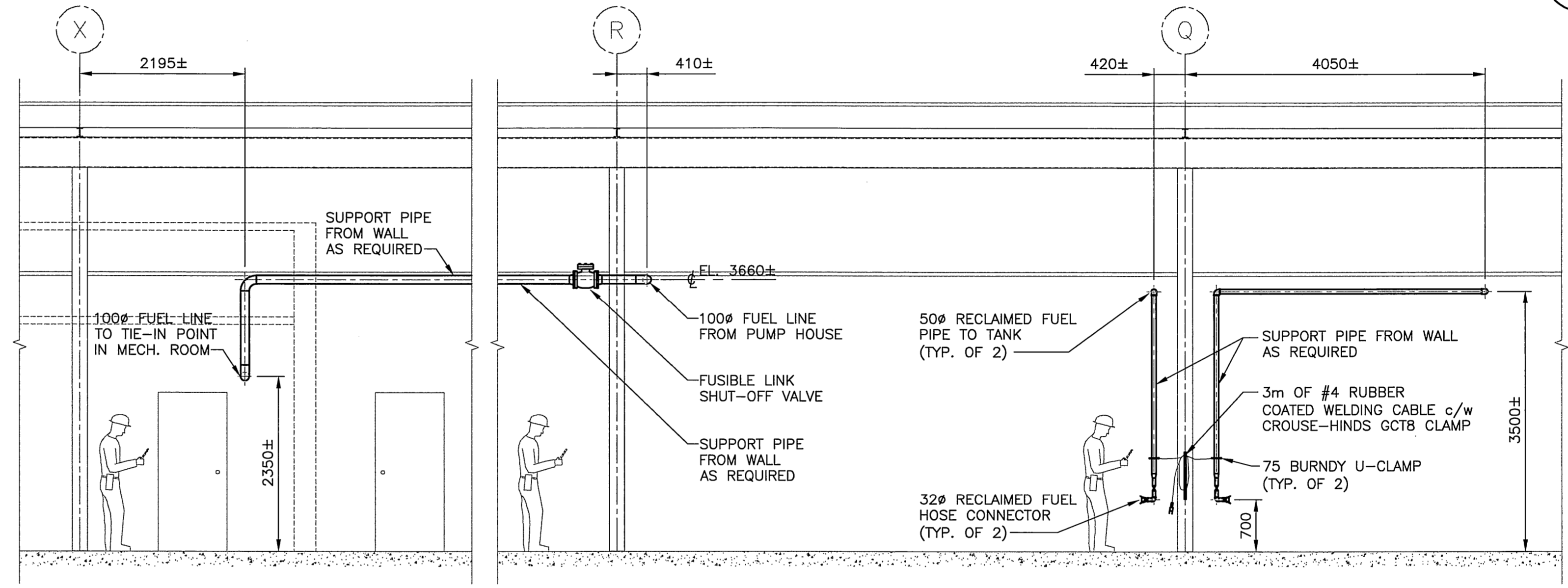
3 INTERIOR PIPE SUPPORT DETAIL
1:25



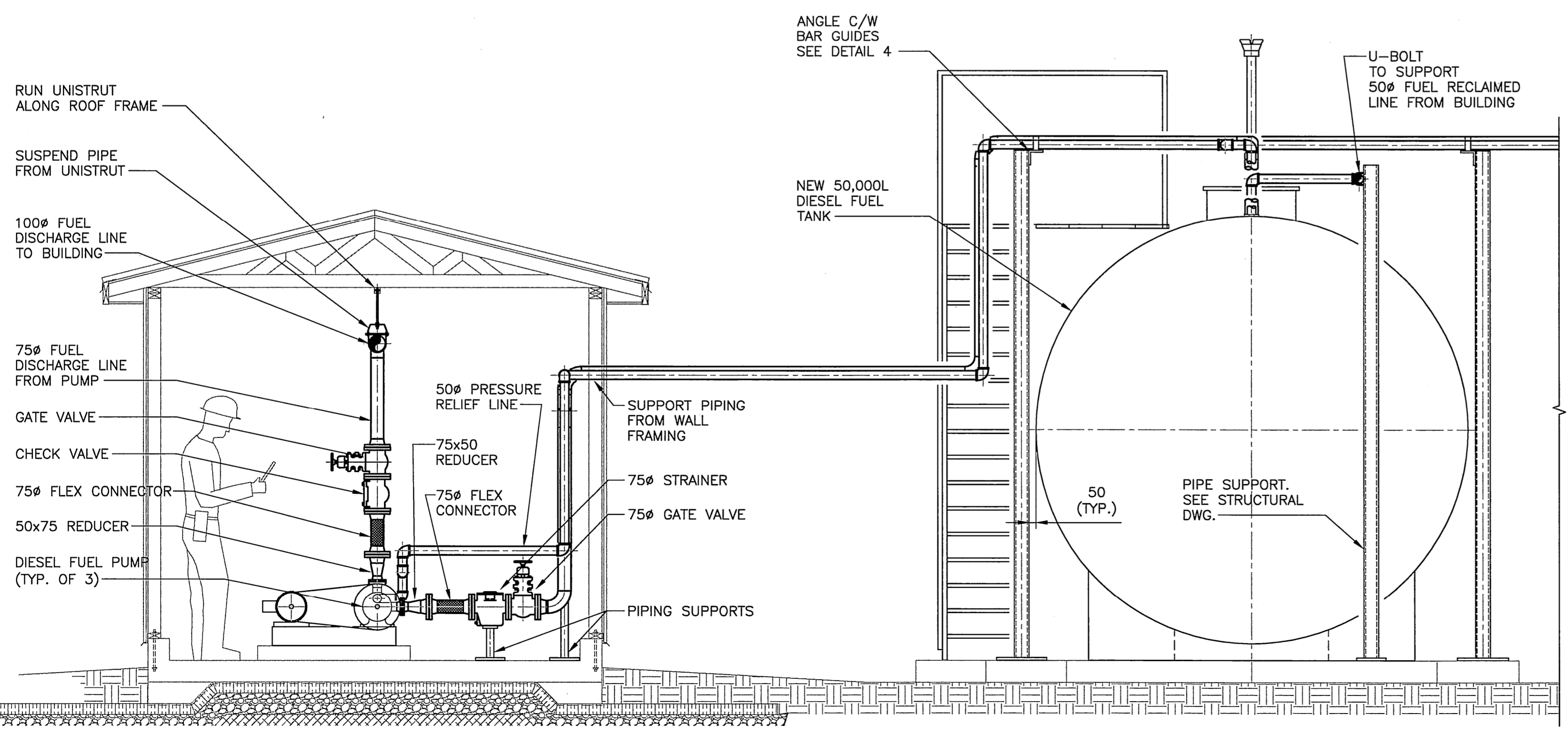
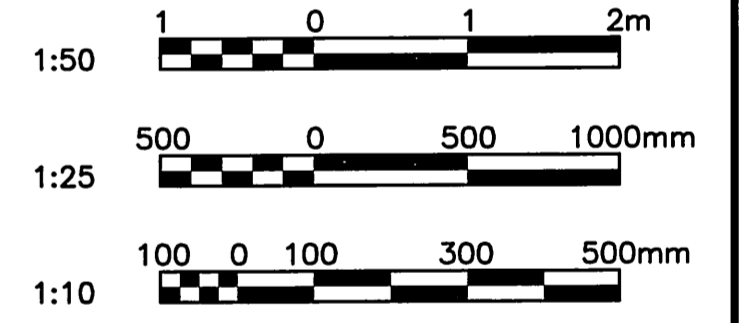
4 OUTDOOR PIPE SUPPORT DETAIL
1:10



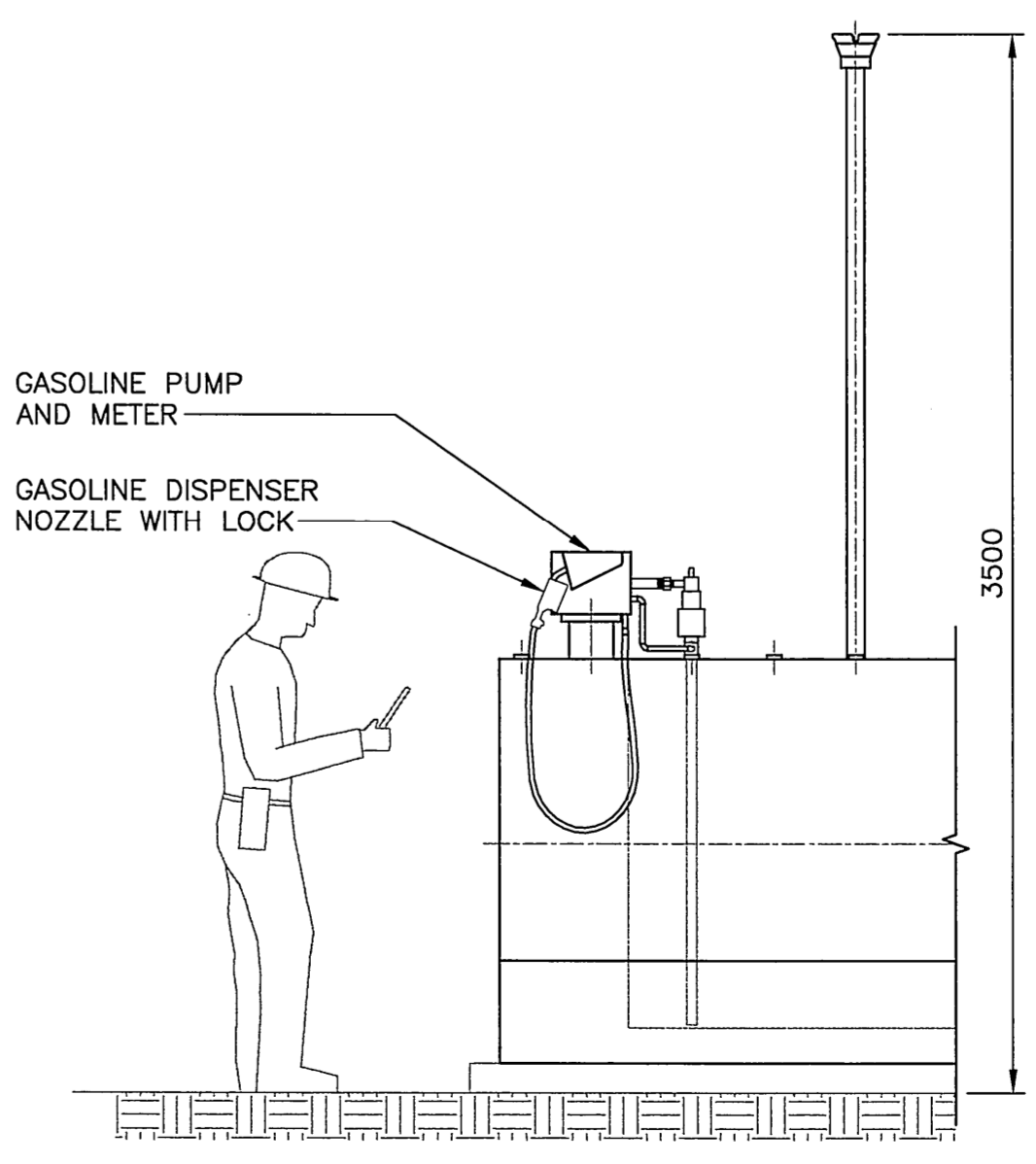
7 SECTION
M0004 M0005 1:50



8 SECTION
M0004 M0005 1:50



5 SECTION
M0004 M0005 1:25



6 GASOLINE TANK DISPENSER DETAIL
M0004 M0005 1:25

0	ISSUED FOR TENDER	07.04.05	LWS
NO.	DESCRIPTION	DATE	ISSUED BY
REVISIONS/ISSUE			
<small>THE CONTENT OF THIS DOCUMENT IS NOT INTENDED FOR THE USE OF, NOR IS IT INTENDED TO BE RELIED UPON BY ANY PERSON, FIRM OR CORPORATION, OTHER THAN THE CLIENT AND WARDROP ENGINEERING INC. WARDROP ENGINEERING DENIES ANY LIABILITY WHATSOEVER TO OTHER PARTIES FOR DAMAGES OR INJURY SUFFERED BY SUCH THIRD PARTY ARISING FROM USE OF THIS DOCUMENT BY THEM, WITHOUT THE EXPRESS PRIOR WRITTEN AUTHORITY OF WARDROP ENGINEERING AND OUR CLIENT. THIS DOCUMENT IS SUBJECT TO FURTHER RESTRICTIONS IMPOSED BY THE CONTRACT BETWEEN THE CLIENT AND WARDROP ENGINEERING INC. AND THESE PARTIES' PERMISSION MUST BE SOUGHT REGARDING THIS DOCUMENT IN ALL OTHER CIRCUMSTANCES.</small>			
CLIENT			
CITY OF WINNIPEG TRANSIT DEPARTMENT			
WARDROP Engineering Inc.			
PROJECT NAME			
PETROLEUM STORAGE AND HANDLING SYSTEMS REPLACEMENT			
DRAWING DESCRIPTION			
OSBORNE STREET GARAGE MECHANICAL - MISCELLANEOUS DETAILS			
DESIGNED BY:	DRAWN BY:	CHECKED BY:	
L.S.	D.D.		
APPROVED BY:			
SCALE:	AS NOTED	DATE:	07.01.15
DRAWING NO.	0729720100-DWG-M0005		REV. 0