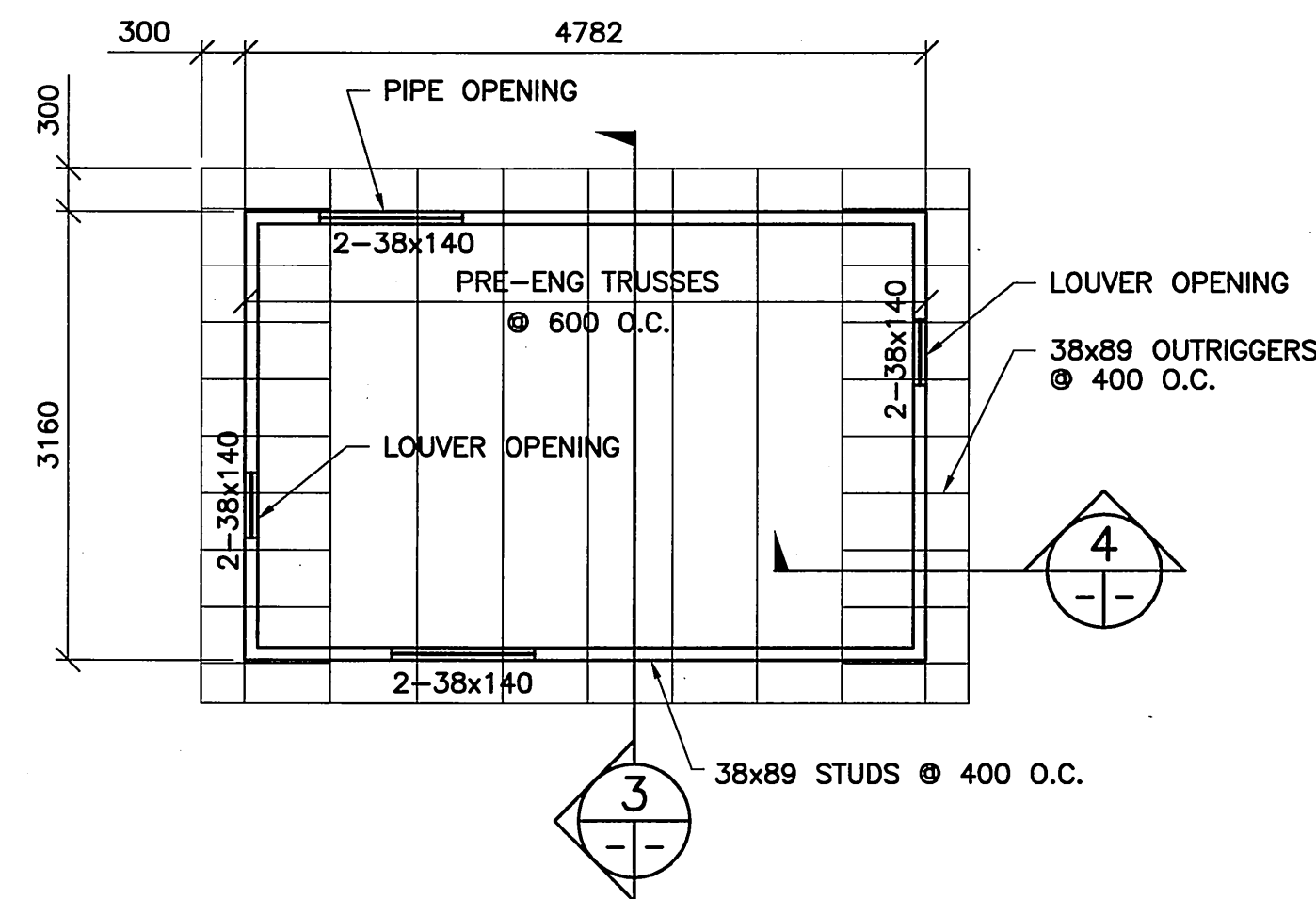
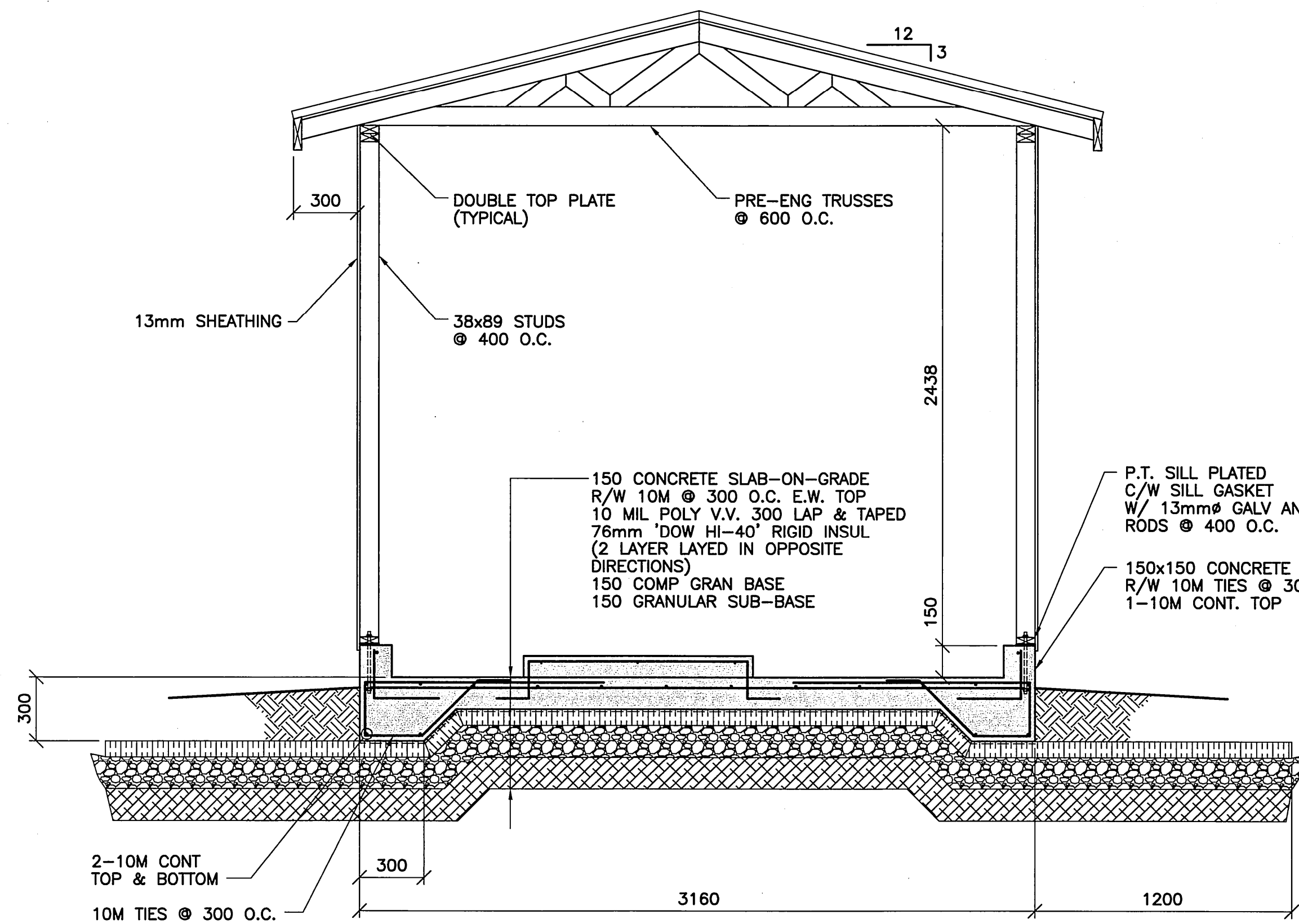


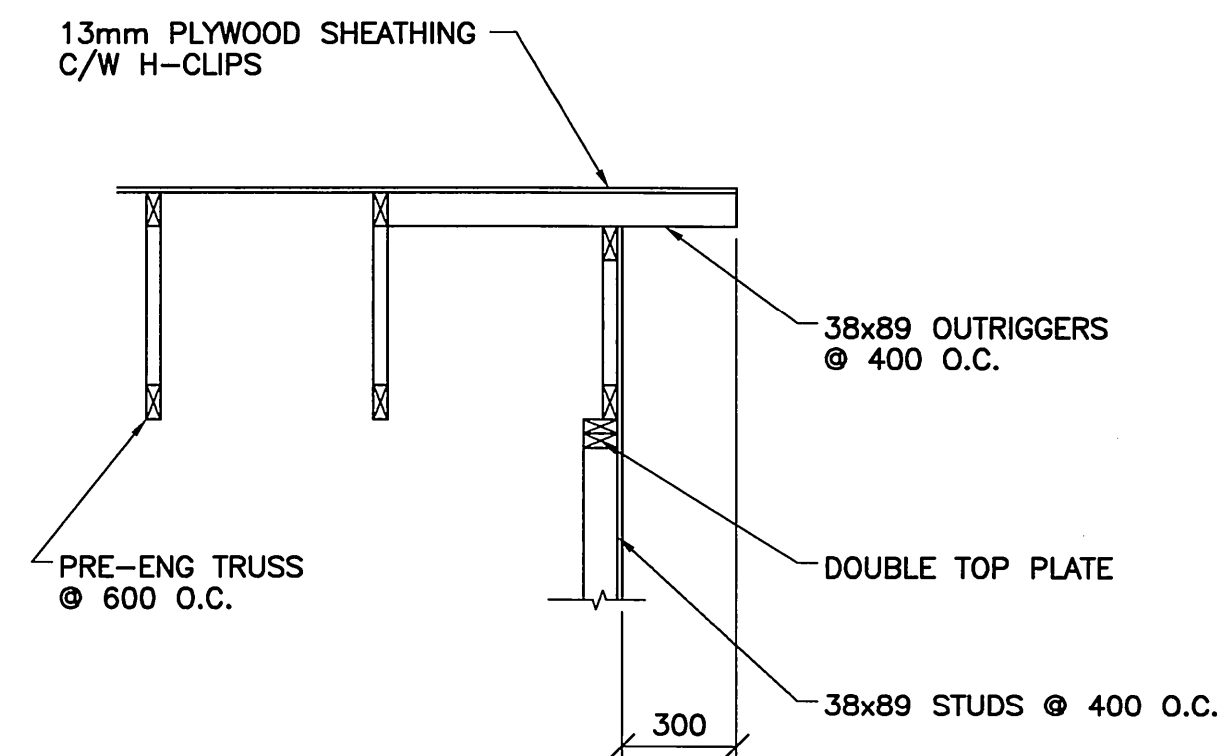
1 PUMP HOUSE FOUNDATION PLAN
1 : 50



2 PUMP HOUSE ROOF FRAMING PLAN
1 : 50



3 BUILDING SECTION
1 : 20



4 OUTRIGGER DETAIL
1 : 20



0	ISSUED FOR TENDER	07.04.05	TWS
NO.	DESCRIPTION	DATE	ISSUED BY
REVISIONS/ISSUE			
<small>THE CONTENT OF THIS DOCUMENT IS NOT INTENDED FOR THE USE OF, NOR IS IT INTENDED TO BE RELIED UPON BY ANY PERSON, FIRM OR CORPORATION, OTHER THAN THE CLIENT AND WARDROP ENGINEERING INC. WARDROP ENGINEERING DENIES ANY LIABILITY WHATSOEVER TO OTHER PARTIES FOR DAMAGES OR INJURY SUFFERED BY SUCH THIRD PARTY ARISING FROM USE OF THIS DOCUMENT BY THEM, WITHOUT THE EXPRESS PRIOR WRITTEN AUTHORITY OF WARDROP ENGINEERING AND OUR CLIENT. THIS DOCUMENT IS SUBJECT TO FURTHER RESTRICTIONS IMPOSED BY THE CONTRACT BETWEEN THE CLIENT AND WARDROP ENGINEERING INC. AND THESE PARTIES' PERMISSION MUST BE SOUGHT REGARDING THIS DOCUMENT IN ALL OTHER CIRCUMSTANCES.</small>			
CLIENT:			
CITY OF WINNIPEG TRANSIT DEPARTMENT			
WARDROP Engineering Inc.			
PROJECT NAME: PETROLEUM STORAGE AND HANDLING SYSTEMS REPLACEMENT			
DRAWING DESCRIPTION: OSBORNE STREET GARAGE PUMP HOUSE PLANS & SECTIONS			
DESIGNED BY:	DRAWN BY:	CHECKED BY:	
TWS	JLP		
APPROVED BY:			
SCALE:	AS NOTED		DATE:
			07.02.27
DRAWING NO.	0729720100-DWG-S0005		REV.
			0

