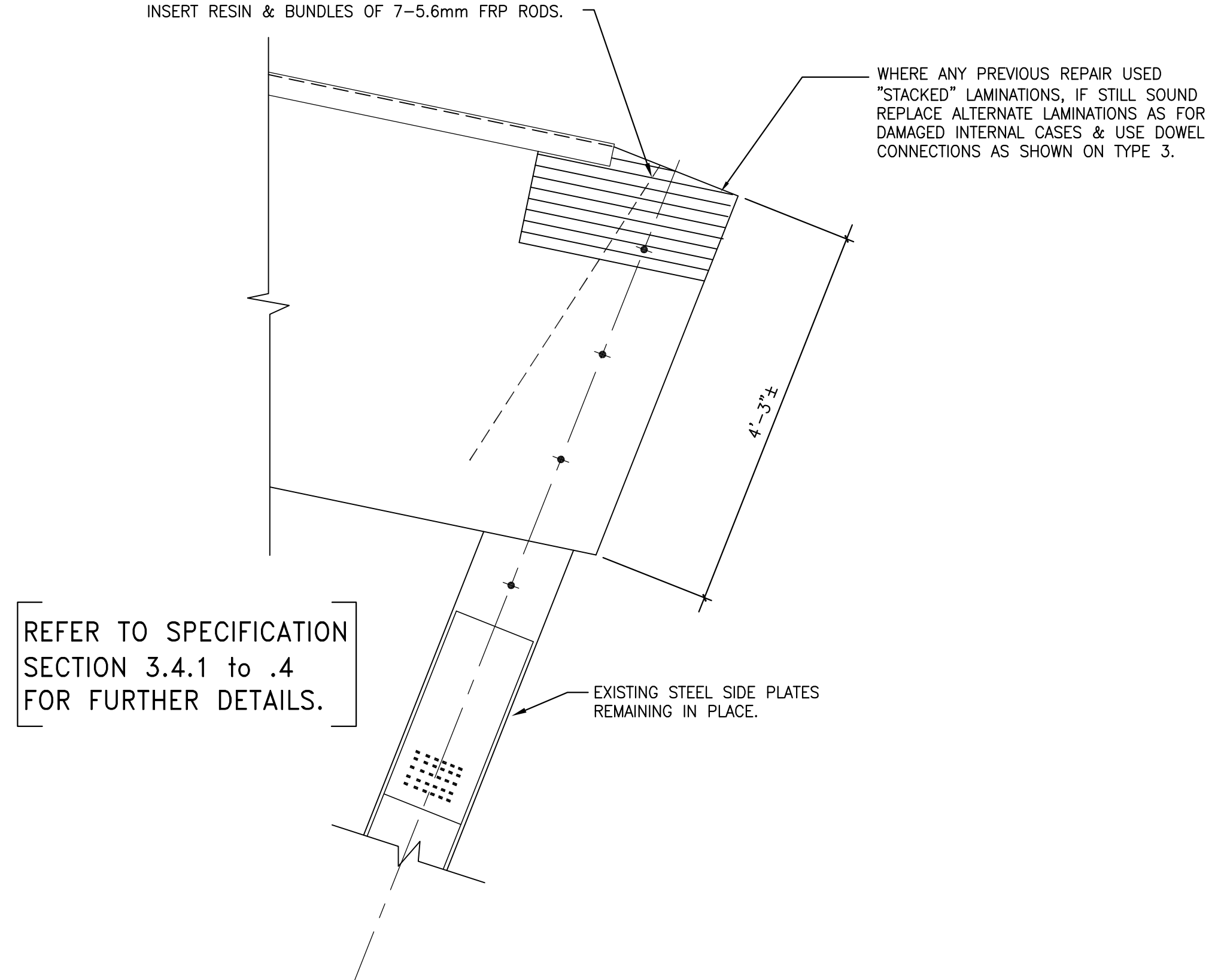


THE STRUCTURAL ENGINEER SHALL BE CONSULTED BY THE CONTRACTOR TO LOCATE & DETERMINE REQUIRED "GLASS FIBRE-EPOXY RESIN (FRP) RODS TO BE INSERTED FOR SECURING INDIVIDUAL LAMINATIONS WITHIN THE REPAIR AREA. 3/4" Ø HOLES TO BE DRILLED AT LOCATION OF REPAIR FROM TOP OF BEAM. INSERT RESIN & BUNDLES OF 7-5.6mm FRP RODS.



REFER TO SPECIFICATION SECTION 3.4.1 to .4 FOR FURTHER DETAILS.

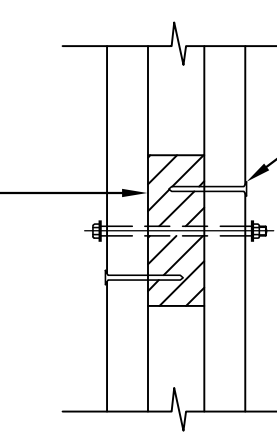
EXTERIOR FRAME OVERHANG TYPE 3A - NEW
3/4" TO ONE FOOT

NEW REPAIR WORK TO GLULAM OVERHANG

EXISTING 6"x10"x12" DRESSED BLOCKING TO BE REPLACED IN ALL CASES WITH DOUG. FIR #1 FITTED TO SUIT. PROVIDE NEW GALVANIZED BOLTS. (TYPICAL)

EDGE VIEW '5'

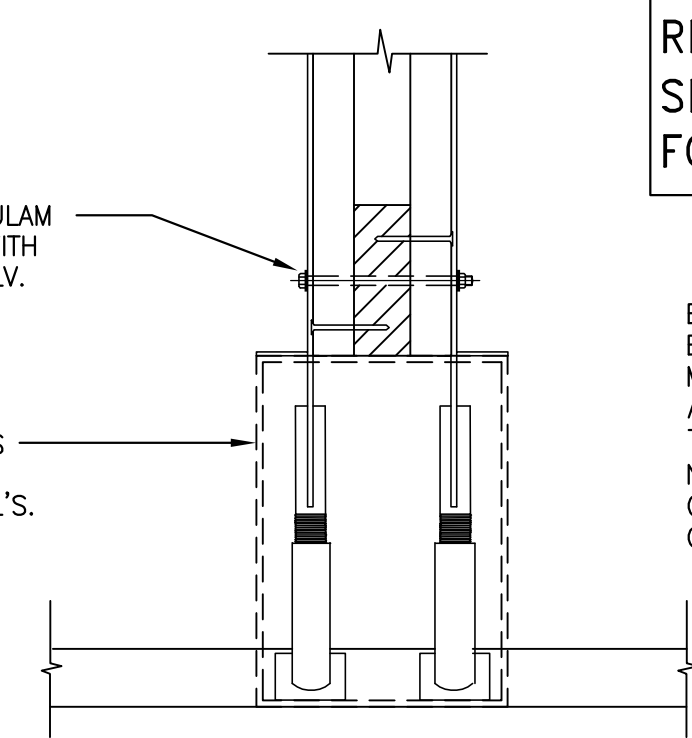
ALL BLOCKING BETWEEN GLULAM BRACES TO BE REPLACED WITH NEW No.1 D.FIR & NEW GALV. BOLTS & WASHERS.



EDGE VIEW '4'

ALL BLOCKING BETWEEN GLULAM BRACES TO BE REPLACED WITH NEW No.1 D.FIR & NEW GALV. BOLTS & WASHERS.

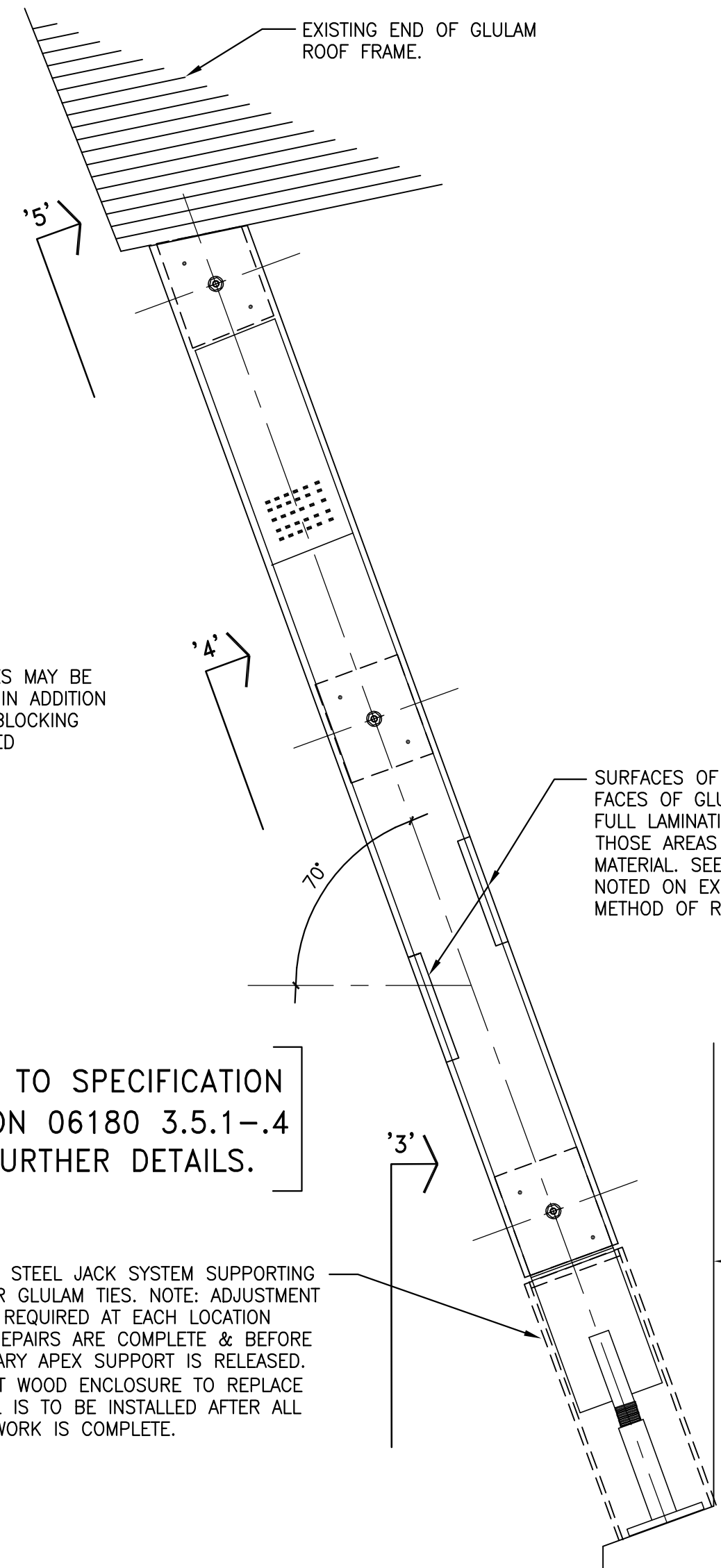
REPLACE ALL BASE ENCLOSURES WITH P/T WOOD FRAME. CAULK ALL JOINTS & TOP AT STEEL PL'S.



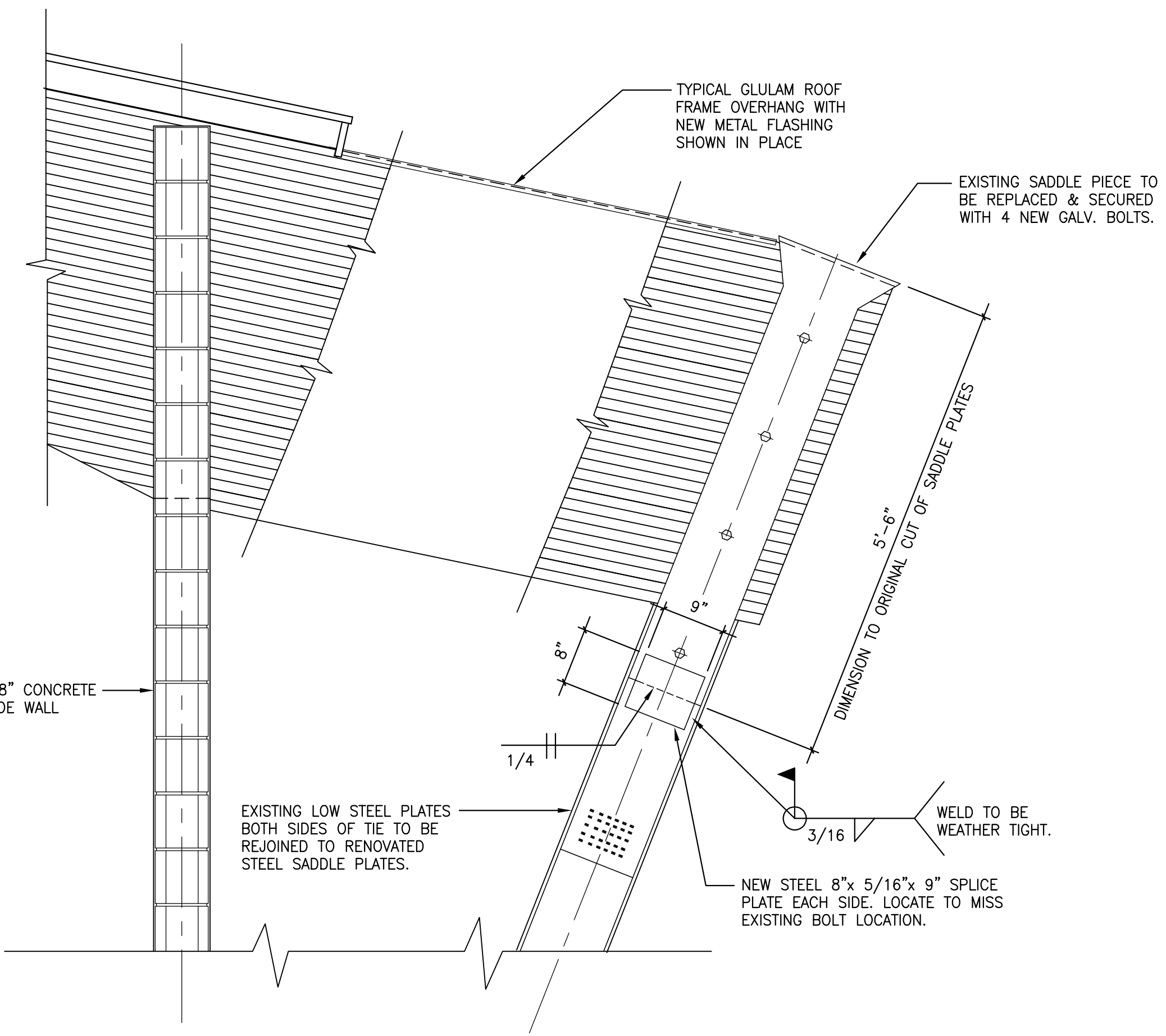
EDGE VIEW '3'

REFER TO SPECIFICATION SECTION 06180 3.5.1-.4 FOR FURTHER DETAILS.

EXISTING STEEL JACK SYSTEM SUPPORTING EXTERIOR GLULAM TIES. NOTE: ADJUSTMENT MAY BE REQUIRED AT EACH LOCATION AFTER REPAIRS ARE COMPLETE & BEFORE TEMPORARY APEX SUPPORT IS RELEASED. NEW P/T WOOD ENCLOSURE TO REPLACE ORIGINAL IS TO BE INSTALLED AFTER ALL OTHER WORK IS COMPLETE.



SIDE VIEW



EXTERIOR FRAME OVERHANG TYPE 1A - NEW
3/4" TO ONE FOOT

EXISTING STEEL TIE SADDLE REPLACEMENT

EXTERIOR DIAGONAL FRAME TIE DOWN
3/4" TO ONE FOOT

NEW REPAIR WORK TO GLULAM & BLOCKING

NO.	DESCRIPTION	DATE	BY
REVISIONS (READ UP)			

ALL DRAWINGS AND SPECIFICATIONS ARE THE PROPERTY OF THE ENGINEER.
NO REPRODUCTIONS MAY BE MADE WITHOUT THE CONSENT OF THE ENGINEER AND ALL REPRODUCTIONS MUST BEAR THE NAME OF THE ENGINEER.
THE GENERAL CONTRACTOR SHALL VERIFY ALL DIMENSIONS, DATUMS, AND LEVELS NOTED IN THE DRAWINGS WITH CONDITIONS ON SITE, AND SHALL BE RESPONSIBLE FOR REPORTING ANY ERRORS OR OMISSIONS TO THE ENGINEER FOR ADJUSTMENT.
THIS DRAWING SHALL NOT BE SCALED.

A. F. ESHMADE & ASSOCIATES LTD.
CIVIL & STRUCTURAL ENGINEERING CONSULTANTS
650 - 125 GARRY STREET WINNIPEG, MAN. R3C 3P2
TEL. (204) 942 0039 FAX. (204) 956 0264

CONSULTANT

ARCHITECT

ENGINEER

PROJECT
CITY OF WINNIPEG
PUBLIC WORKS DEPT.
WINNIPEG, MANITOBA

SHEET TITLE
ROLAND MICHENER ARENA
1121 WABASHA AVE. TRANSCONA

DRAWN BY k.m.	DATE 25/04/07	SHEET NO. S-5
CHECKED BY A.F.E.	FILE NO. 131.05	