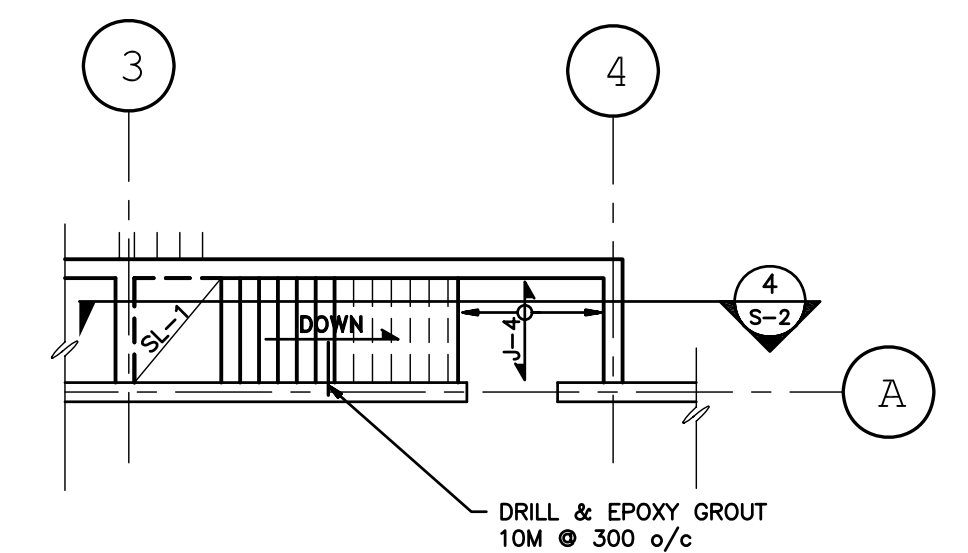
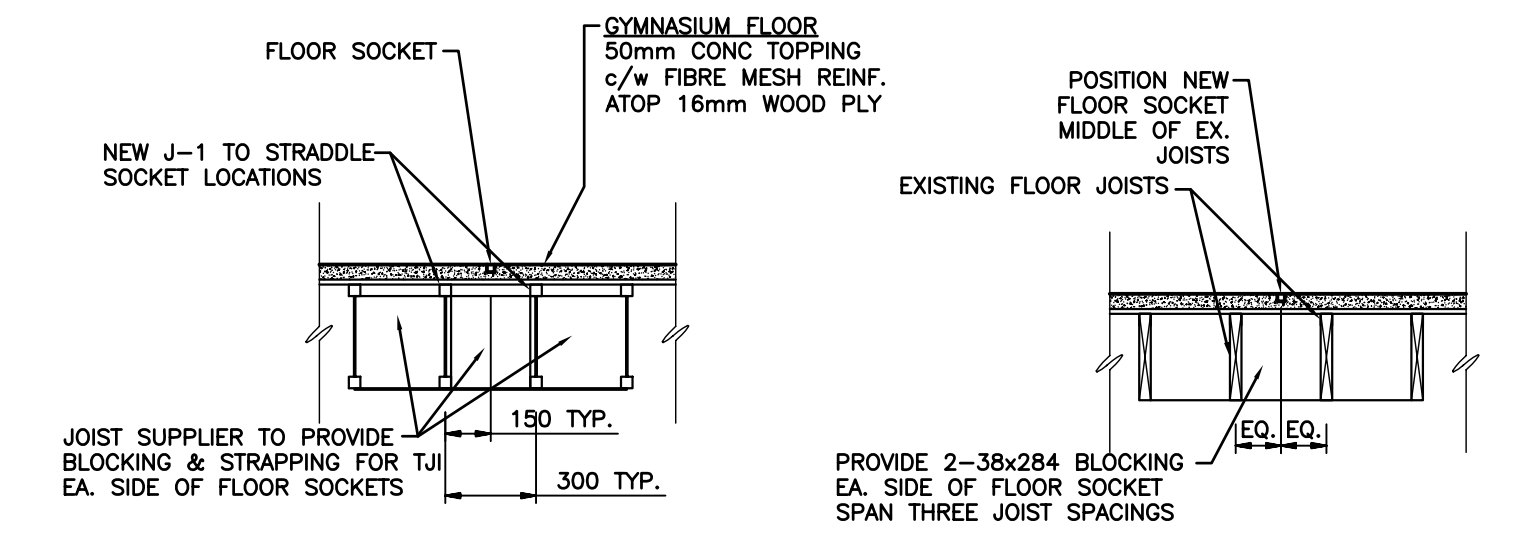


1 DETAIL - NEW WALL TO EXISTING
S-2 1:10



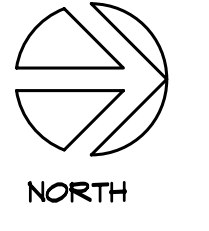
2 MAIN LEVEL PLAN DETAIL
S-2 1:100



7 SECTION
S-2 1:25

8 SECTION
S-2 1:25

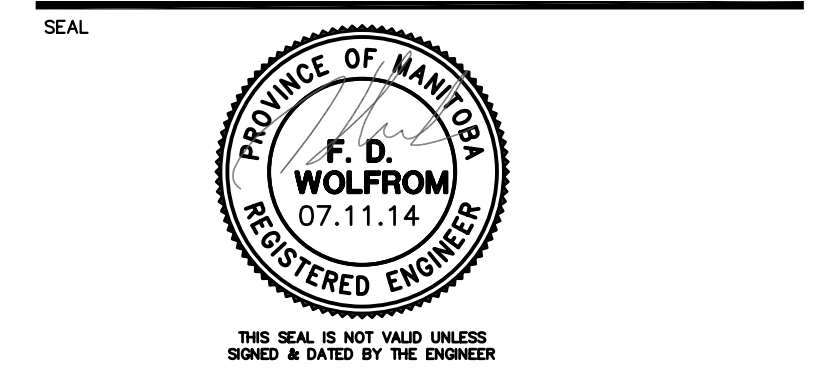
FOUNDATION PLAN
1:100
DESIGN LOADS:
LIVE LOAD = 4.80 KPA U/N ON PLAN
SUPERIMPOSED DEAD LOAD = 1.30 KPA



PEGN
Certificate of Authorization
Wolfrom Engineering Ltd.
No. 1156 Expiry: April 30, 2008

3	ISSUED FOR CONSTRUCTION	07.11.14	JR
2	95% SUBMISSION	07.07.06	SRB
1	UPDATED FOR PRICING	07.04.11	SRB
0	FOR PRICING	07.03.30	SRB

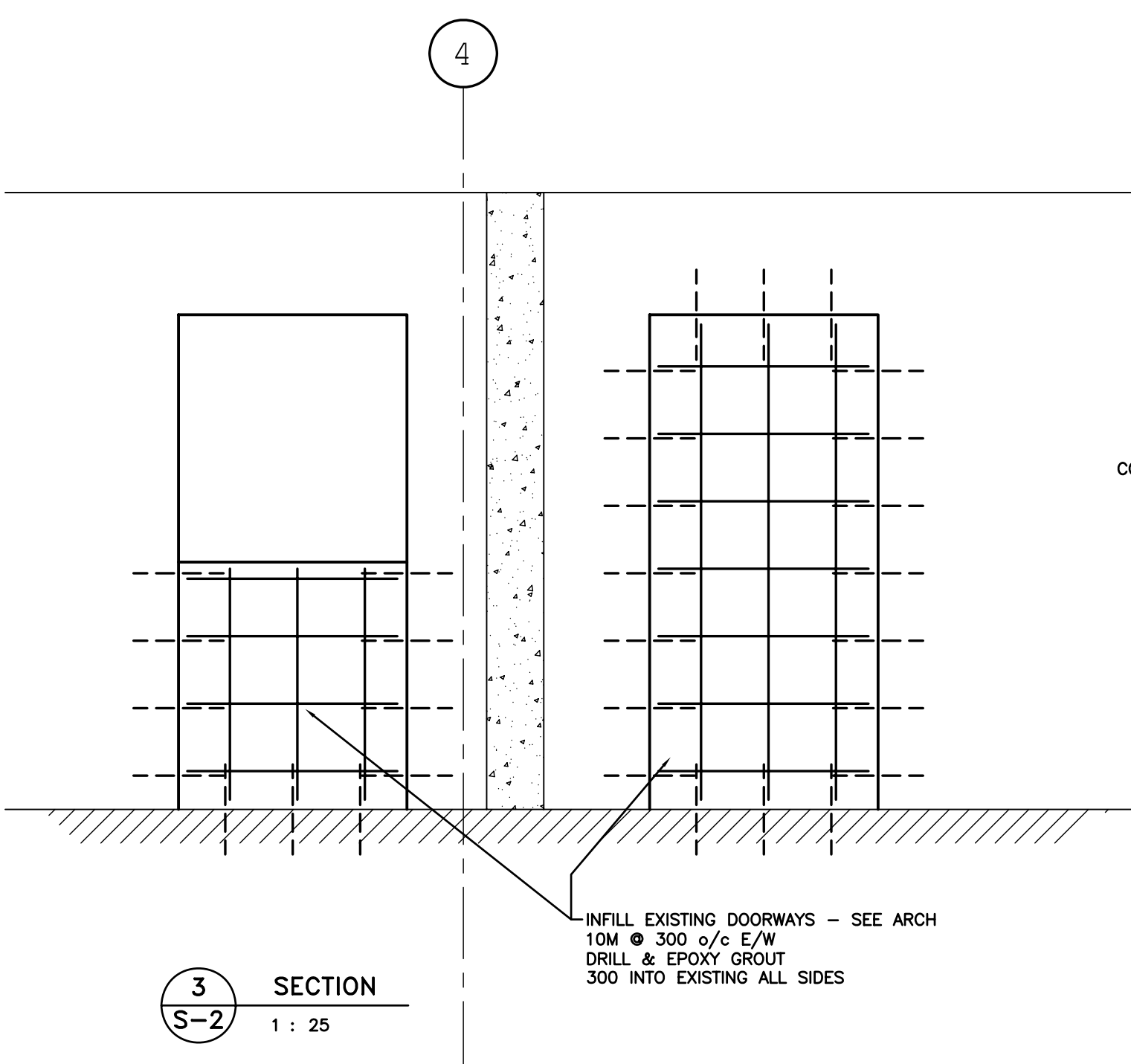
WOLFROM ENGINEERING LTD
CONSULTING ENGINEERS
3445 WARDLAW AVENUE
WINNIPEG, CANADA R3L 0L5
(204) 452-0041 FAX: 284-8680
E-Mail: info@wolfromeng.com



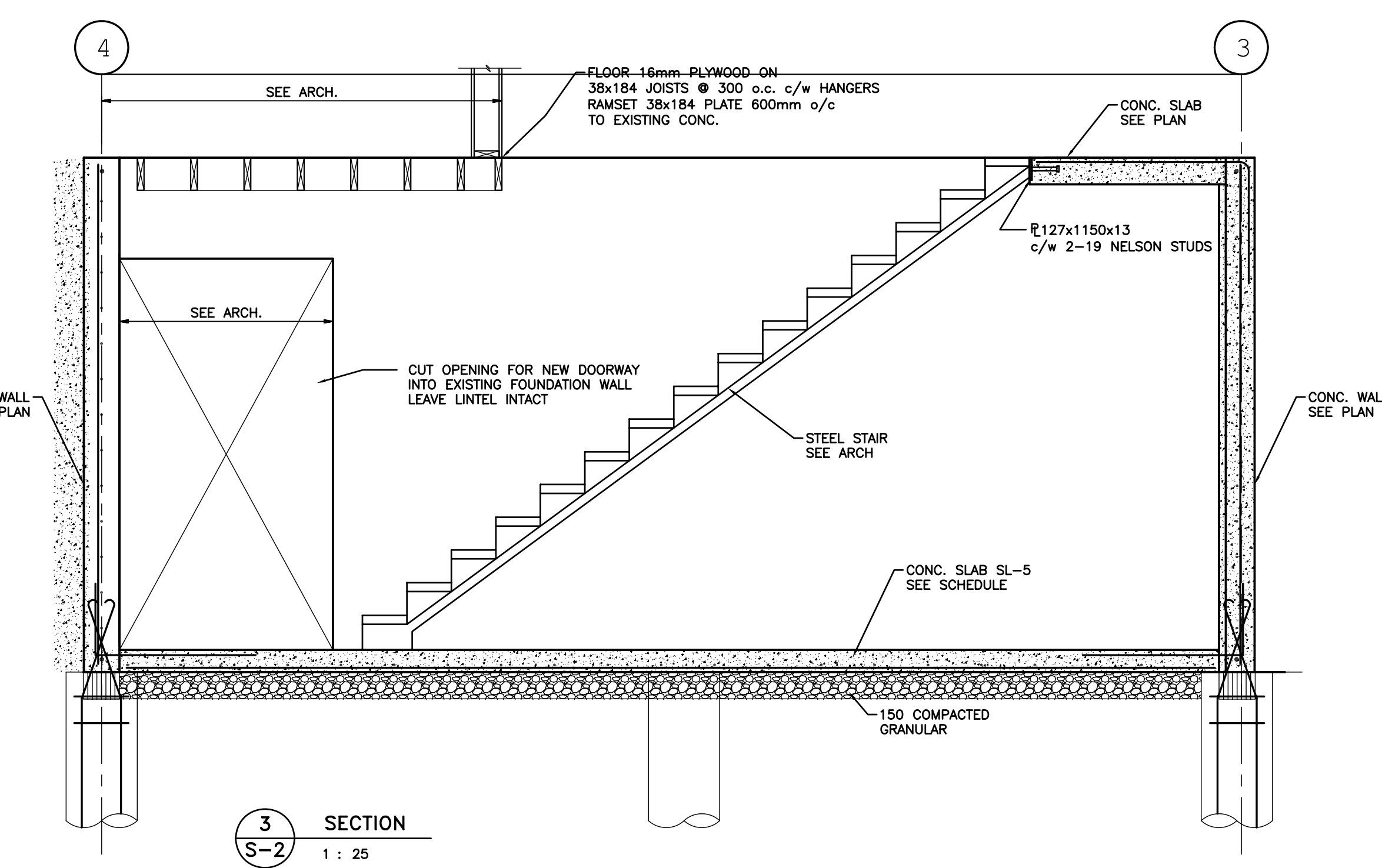
JOB TITLE
VALOUR COMMUNITY CENTRE
GYMNASIUM ADDITION AND
RENOVATIONS
715 TELFER STREET N. WINNIPEG
DRAWING TITLE

MAIN LEVEL FRAMING PLAN

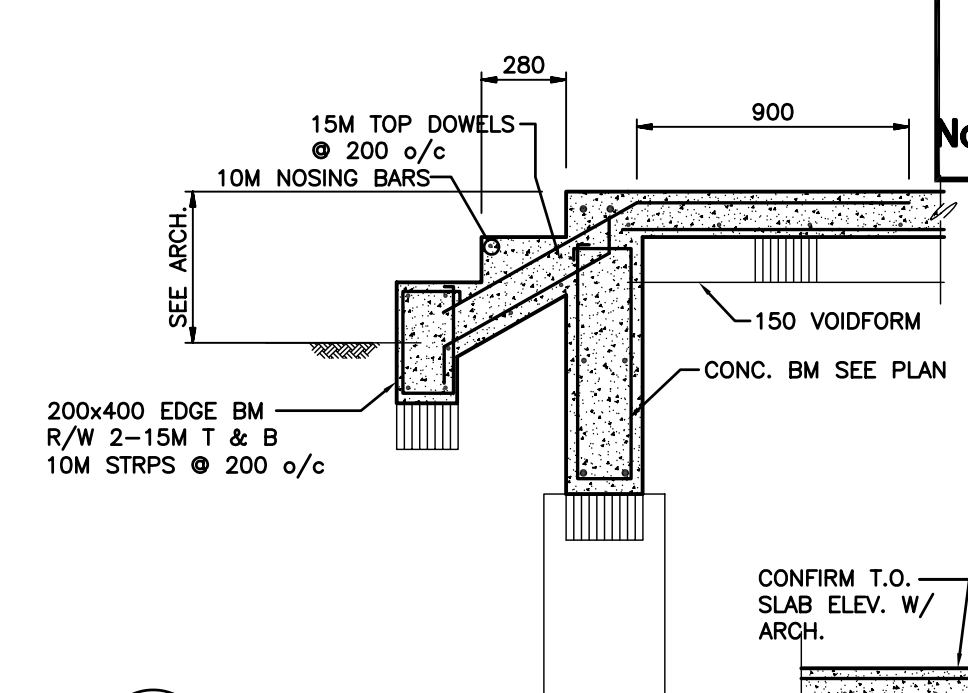
DRAWN BY	SCALE	DRAWING NO.
SRB/JR	AS NOTED	S-2
FILE NO.	DATE	REVISION NO.
W06440	JULY 2007	2



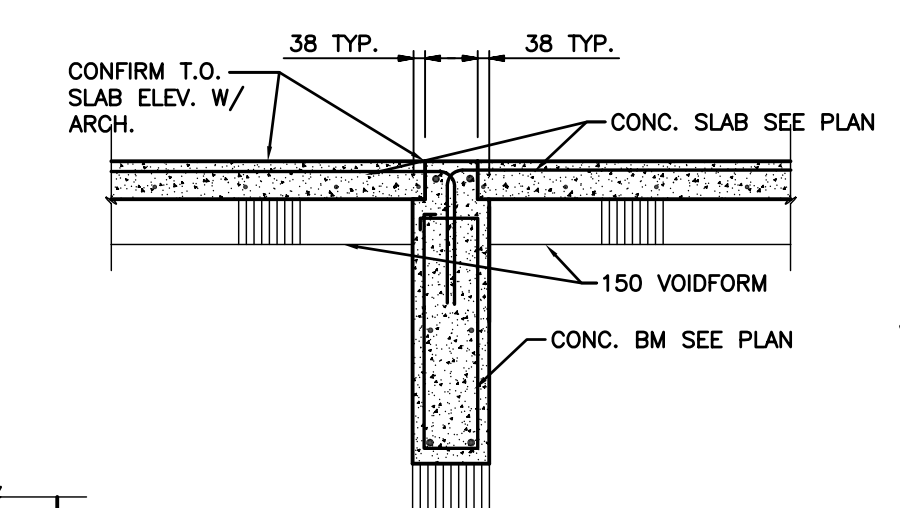
3 SECTION
S-2 1:25



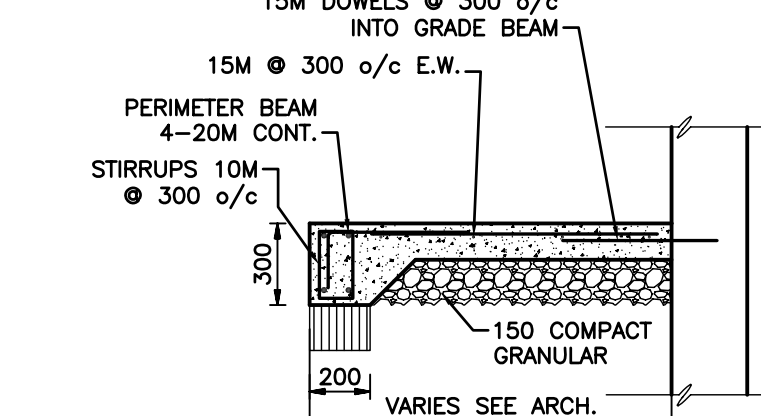
3 SECTION
S-2 1:25



5 SECTION
S-2 1:25



9 SECTION
S-2 1:25



6 SECTION
S-2 1:25

Plotted: 06-02-31 at 10:31:38 - Layout: "S-1" - Plot Scale: "705 1:1"
 CAD file by: "Unknown CAD User" - Wolfrom Custom/Std Sheets/WOLFROM METRIC.dwt