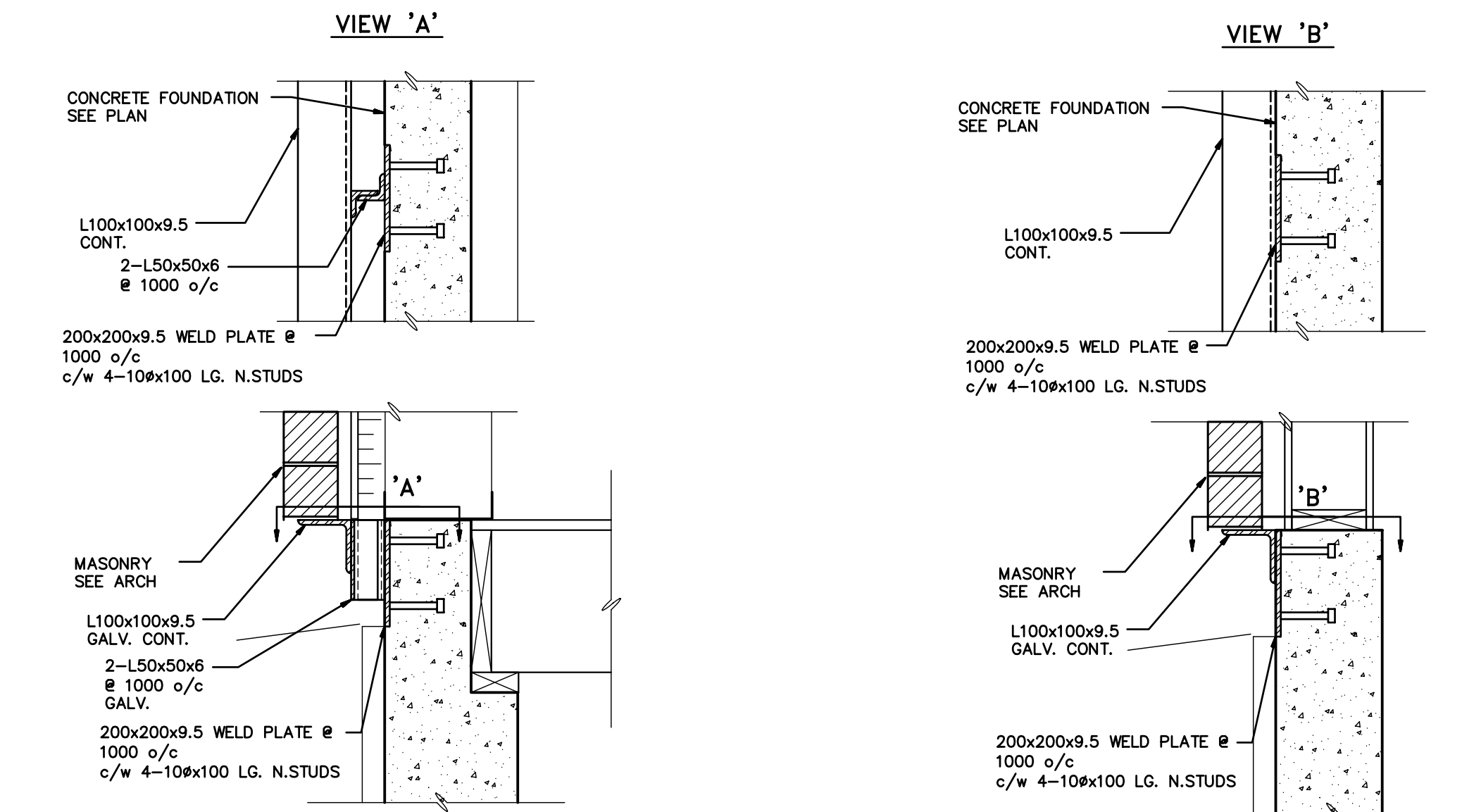
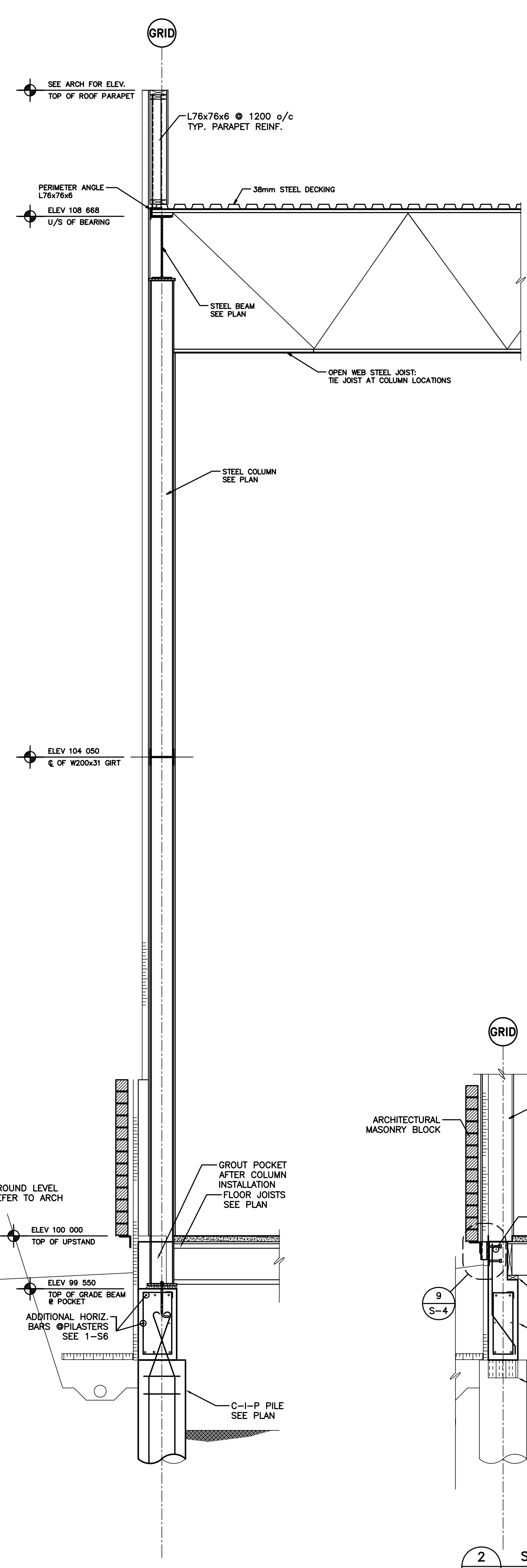
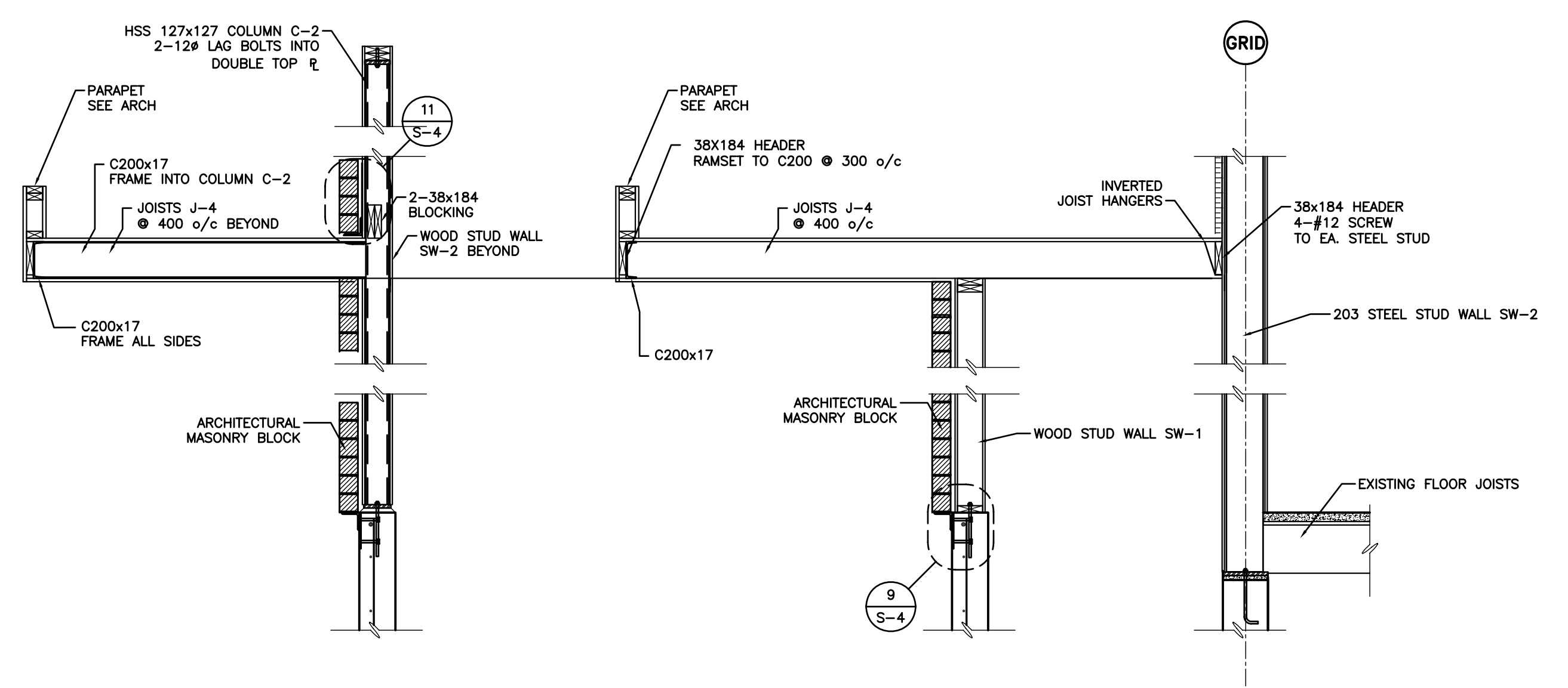


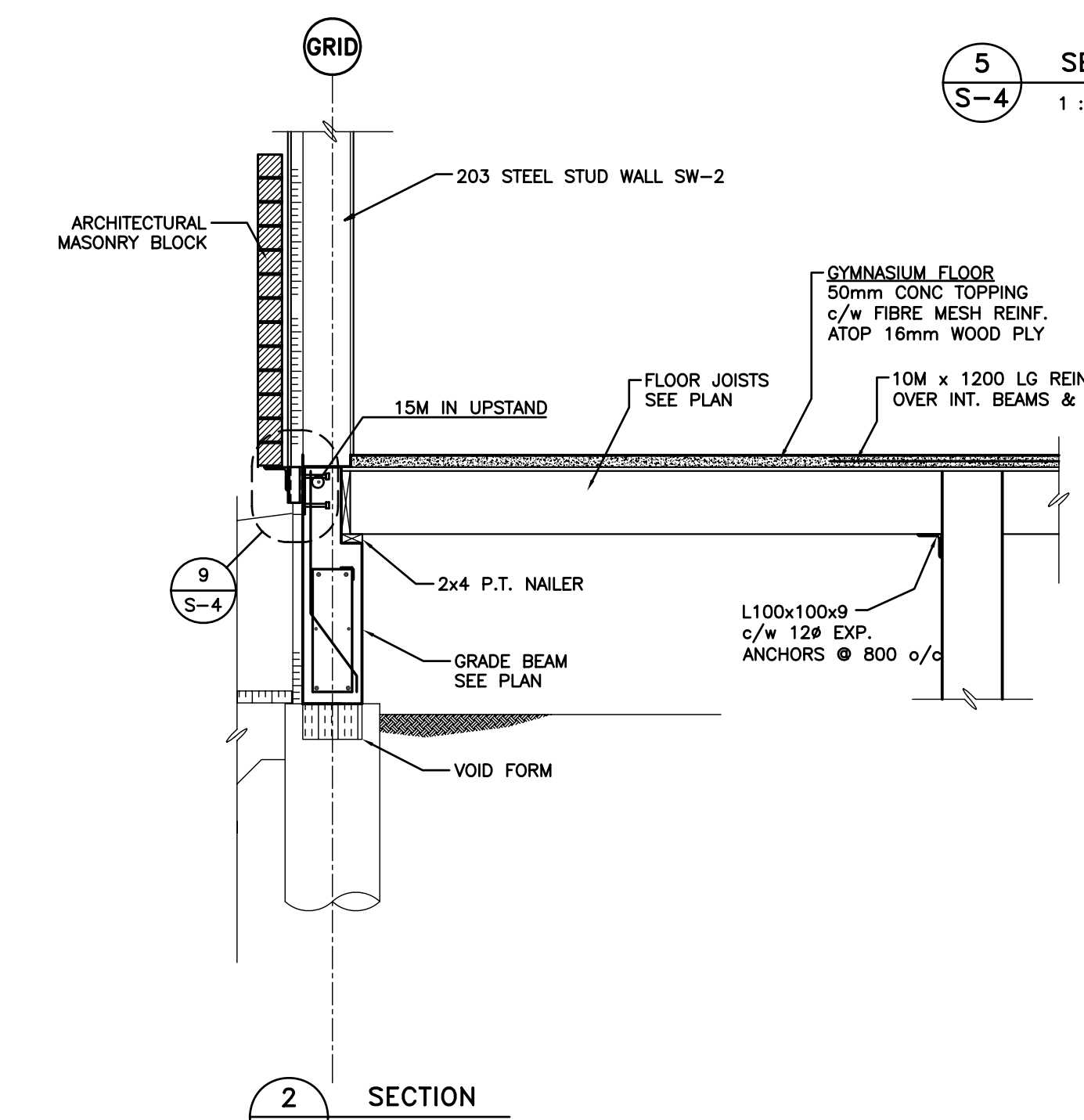
Plotted: 06-02-31 at 10:31:38 - Layout: "S-1" - Plot Scale: "1/8" = 1" = 10' = 30.48m
 CAD file: (by "Unknown CAD User"): "F:\Work\Custom\Std Sheets\WOLFROM\METRIC.dwg"



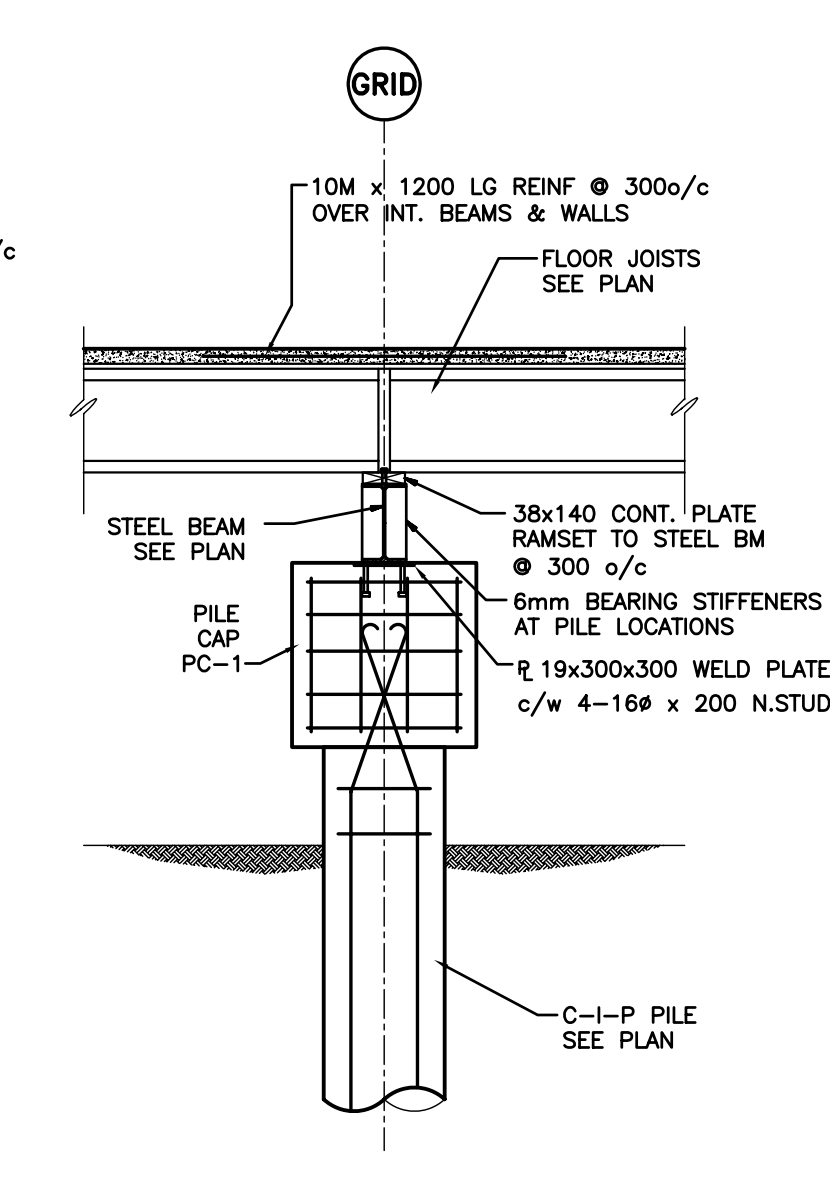
9 SECTION S-4 1 : 10
 10 SECTION S-4 1 : 10



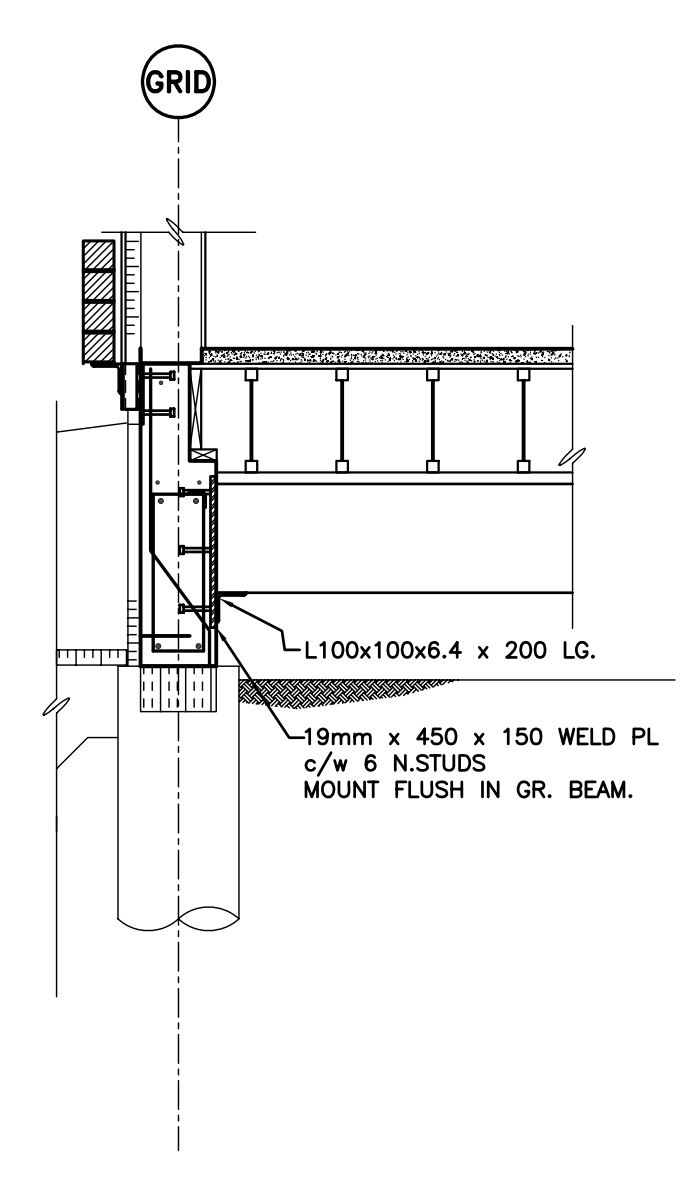
5 SECTION S-4 1 : 25
 6 SECTION S-4 1 : 25



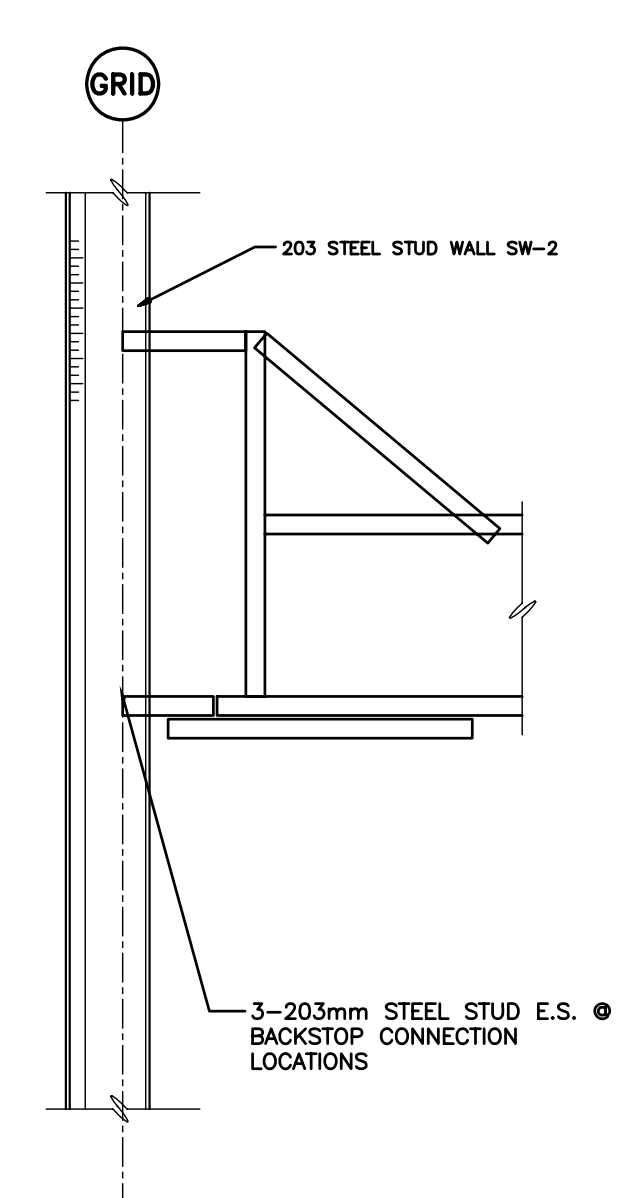
2 SECTION S-4 1 : 25




3 SECTION S-4 1 : 25



4 SECTION S-4 1 : 25

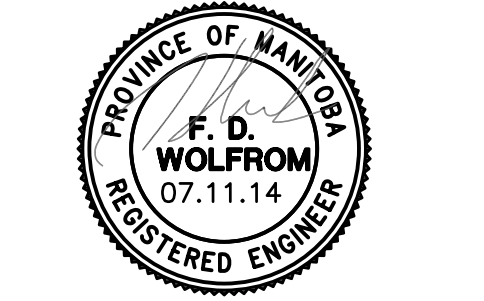


8 SECTION S-4 1 : 25


Certificate of Authorization
Wolfrom Engineering Ltd.
 No. 1156 Expiry: April 30, 2008

3	ISSUED FOR CONSTRUCTION	07.11.14	JR
2	95% SUBMISSION	07.07.06	SRB
1	UPDATED FOR PRICING	07.04.11	SRB
0	FOR PRICING	07.03.30	SRB

WOLFROM ENGINEERING LTD
 CONSULTING ENGINEERS
 3445 WARDLAW AVENUE
 WINNIPEG, CANADA R3L 0L5
 (204) 452-0041 FAX: 284-8680
 E-Mail: info@wolfromeng.com

SEAL

 THE SEAL IS NOT VALID UNLESS SIGNED & DATED BY THE ENGINEER

JOB TITLE
VALOUR COMMUNITY CENTRE
GYMNASIUM ADDITION AND
RENOVATIONS
715 TELFER STREET N. WINNIPEG

DRAWING TITLE
SECTIONS
AND DETAILS

DRAWN BY	SCALE	DRAWING NO.
SRB	AS NOTED	S-4
FILE NO.	DATE	REVISION NO. 2
W06440	JULY 2007	